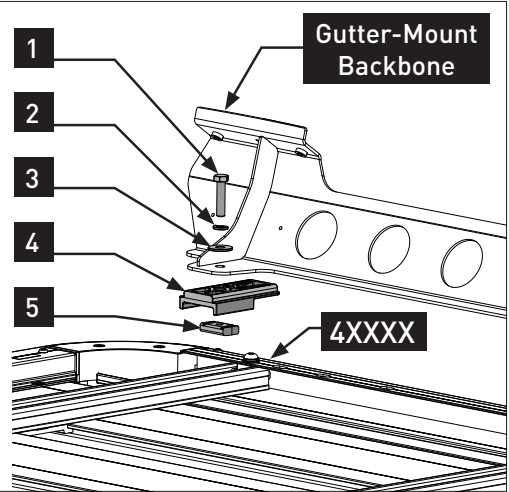


SUB0836**Required for installation of 4XXXX Pioneer Platforms to gutter-mounting Backbones****Parts List**

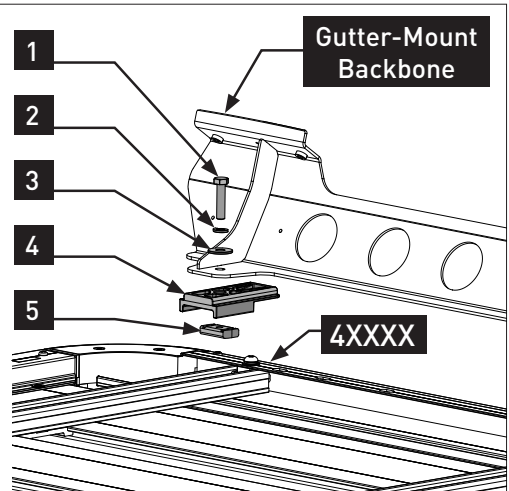
Item	Description	Qty
1	M8 x 35 Hex Head Screw	6
2	M8 SPRING WASHER S/S	6
3	M8 X 24 X 2 FLAT WASHER S/S BLACK	6
4	PIONEER LEG HEIGHT SPACER	6
5	M8 CHANNEL NUT	6

Document No: R2609 Issue No: 2 Issue Date: 16/11/2020

**SUB0836****Required for installation of 4XXXX Pioneer Platforms to gutter-mounting Backbones****Parts List**

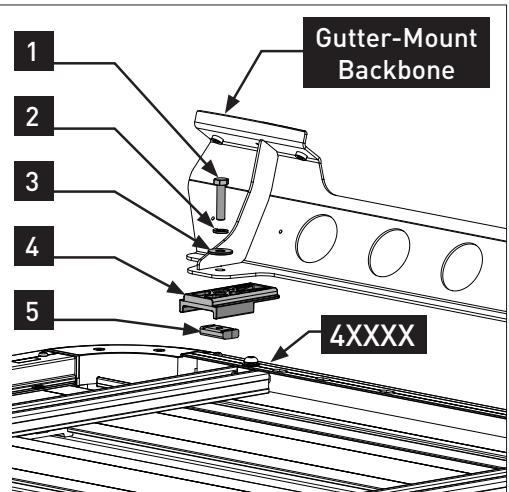
Item	Description	Qty
1	M8 x 35 Hex Head Screw	6
2	M8 SPRING WASHER S/S	6
3	M8 X 24 X 2 FLAT WASHER S/S BLACK	6
4	PIONEER LEG HEIGHT SPACER	6
5	M8 CHANNEL NUT	6

Document No: R2609 Issue No: 1 Issue Date: 16/11/2020

**SUB0836****Required for installation of 4XXXX Pioneer Platforms to gutter-mounting Backbones****Parts List**

Item	Description	Qty
1	M8 x 35 Hex Head Screw	6
2	M8 SPRING WASHER S/S	6
3	M8 X 24 X 2 FLAT WASHER S/S BLACK	6
4	PIONEER LEG HEIGHT SPACER	6
5	M8 CHANNEL NUT	6

Document No: R2609 Issue No: 1 Issue Date: 16/11/2020

**SUB0836****Required for installation of 4XXXX Pioneer Platforms to gutter-mounting Backbones****Parts List**

Item	Description	Qty
1	M8 x 35 Hex Head Screw	6
2	M8 SPRING WASHER S/S	6
3	M8 X 24 X 2 FLAT WASHER S/S BLACK	6
4	PIONEER LEG HEIGHT SPACER	6
5	M8 CHANNEL NUT	6

Document No: R2609 Issue No: 1 Issue Date: 16/11/2020

