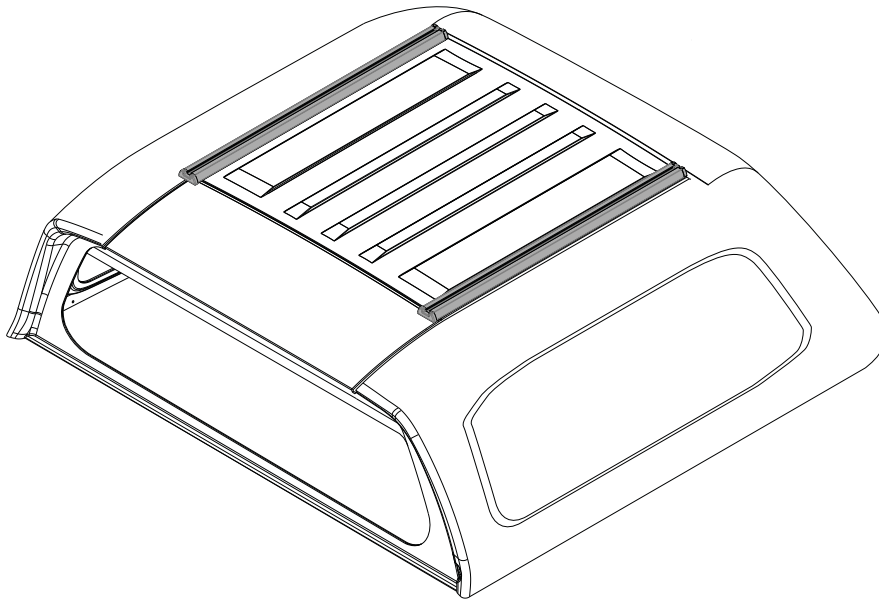




RHINO-RACK

Sammitr Canopy Track Fit (Gen 1 or Gen 2) RTS553

Important: Please read these instructions carefully prior to installation. Please refer to your fitting instruction to ensure that the Roof Rack System is installed in the correct location. Check the contents of kit before commencing fitment and report any discrepancies. Place these instructions in the vehicle's glove box after installation is complete.



Maximum load carrying capacity: 110kg / 242lbs

Important Information

1. Check Part No./Kit is correct 3. Fit roof rack accessory
2. Read through instruction before installing 4. Check and recheck all fasteners are secure

Maximum carrying capacity: Up to 110kg (242lbs) including the weight of the rack system. **Static carrying capacity: Up to 150kg (330lbs).** Please refer to your vehicle manufacturers handbook for maximum carrying capacity. Always use the lower of the two figures. Load must be evenly distributed over the entire basket.

Warning: Do not attempt to fit the rack system to your vehicle unless you fully understand these fitting instructions. Please direct any questions regarding fitting to the dealer from where the roof racks were purchased.

Use only non-stretch fastening ropes or straps.

Recommendations: It is essential that all bolt connections be checked after driving a short distance when you first install your roof racks. Bolt connections should be checked again at regular intervals (once a week is enough, depending on road conditions, usage, loads and distances travelled). You should also check the roof racks each time they are re-fitted. Always make sure to fasten your load securely. Please also ensure that all loads are evenly distributed and that the centre of gravity is kept as low as possible and must be entirely contained within the extents of the roof racks. **Rack System must be removed when putting vehicle through an automatic car wash.**

Caution: The handling characteristics of the vehicle changes when you transport a load on the roof. For safety reasons we recommend you exercise extreme care when transporting wind-resistant loads. Special consideration must be taken into account when cornering and braking.

Off-road use:

The Track Rack System may be used in off road applications, however a safety factor of 1.5 is enforced. That is, maximum permissible off road load is **66kg (145lbs)**. Although the crossbars are tested and approved to AS1235-2000/ 15011154, off-road conditions can be much more rigorous. Extreme care must be taken in off road conditions

Note for Dealers and Fitters:

It is your responsibility to ensure these fitting instructions are given to the end user or client.

Rhino-Rack 3 Pike Street, Rydalmere,

NSW 2116, Australia.

(Ph) (02) 9638 4744

(Fax) (02) 9638 4822

Document No: R1233

Prepared By: Kayle Everett

Authorised By: Chris Murty

Fit Time: 30min

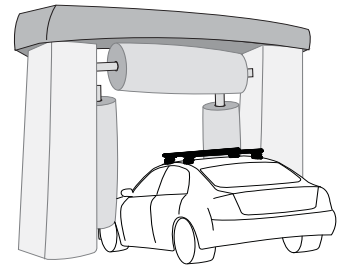
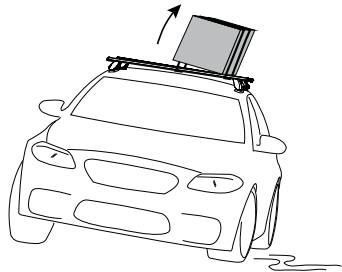
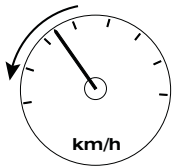
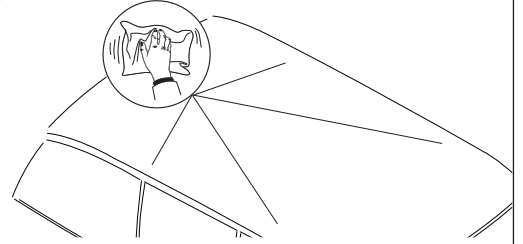
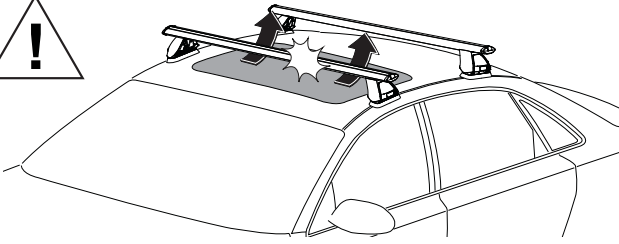
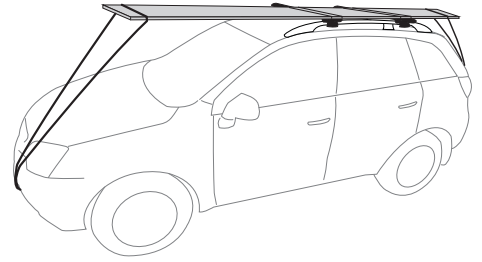
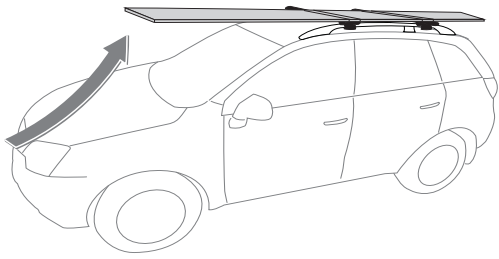
Issue No: 04

Issue Date: 26/07/2017

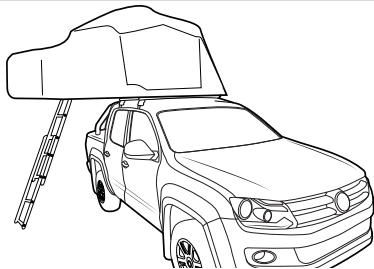
These instructions remain the property of Rhino-Rack Australia Pty. Ltd. and may not be used or changed for any other purpose than intended.



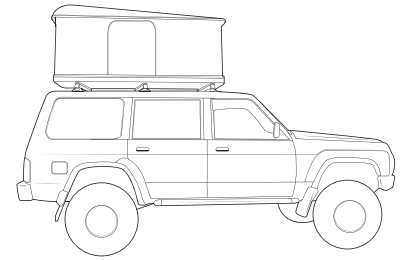
Sammitr Canopy Track Fit (Gen 1 or Gen 2)



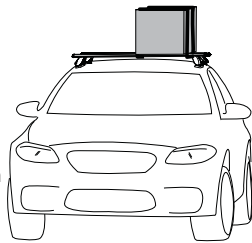
Ensure Ladder is well supported on the ground to help support tent. Take extreme caution when climbing heights above 1.2m/4ft.



It is required for Clam Shell Roof Top Tents to use a 3 Crossbar System.



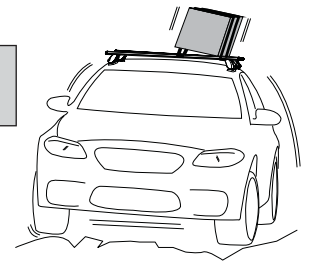
When these roof racks are to be used on a vehicle that is driven off sealed roads, the manufacturer maximum roof load rating (to be found in the vehicles User Manual) should be **divided by 1.5**. Do not forget to subtract the complete crossbar system weight from your maximum carrying capacity.



100kg/220lbs
(Urban Road)

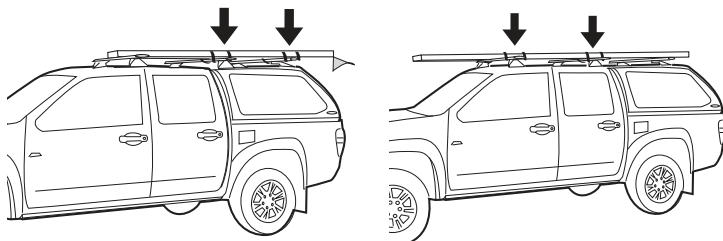


66kg/145lbs
(Off Road)

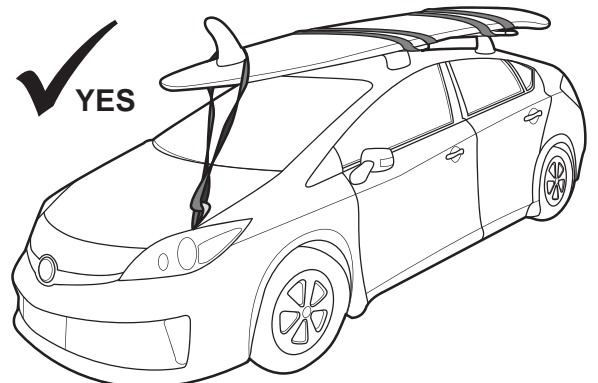


WARNING! Important Load Carrying Instructions

With utility vehicles, the cabin and the canopy move independently. Roof racks and vehicle can be damaged if the item transported is rigidly fixed at points on both the cabin and canopy. Instead, rigidly fix to either the cabin roof racks or the canopy roof racks.



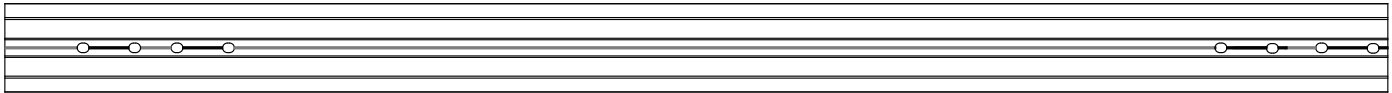
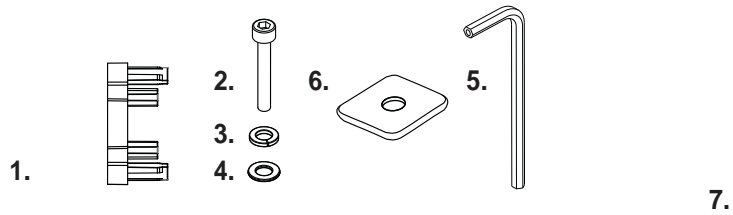
Paddle/ Surfboards should be fixed to the front of the vehicle.





Sammitr Canopy Track Fit (Gen 1 or Gen 2)

Parts List



Item	Sammitr Track System	Qty	Part No.
1	End Cap	4	M710
2	20mm M6 Cap Screw	8	B054
3	M6 Spring Washer	8	W004
4	M6 x 12.5mm Flat Washer	8	W003
5	Allen Key	1	H021
6	Butyl Patch	8	CA1397

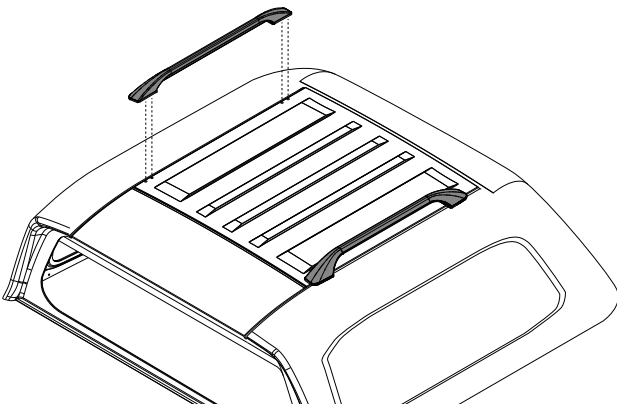
7	Track	2	A839
8	Instruction	1	R1233

Tools Required:
Allen Key (provided).

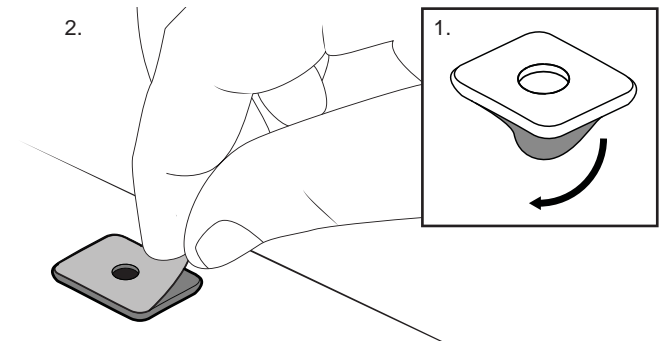
Notes:
Crossbars and Fit Kits are sold as separate and are required for individual vehicle fits.

Instructions

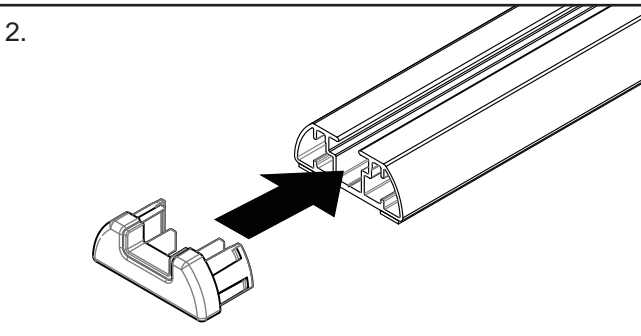
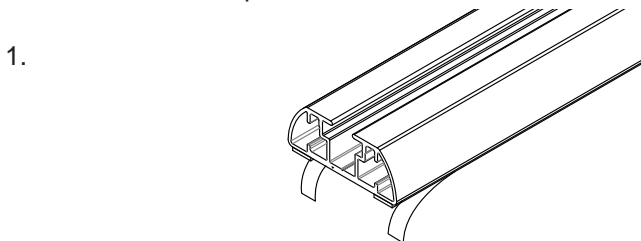
- 1** If required remove the factory rails as per the Sammitr supplied instructions.



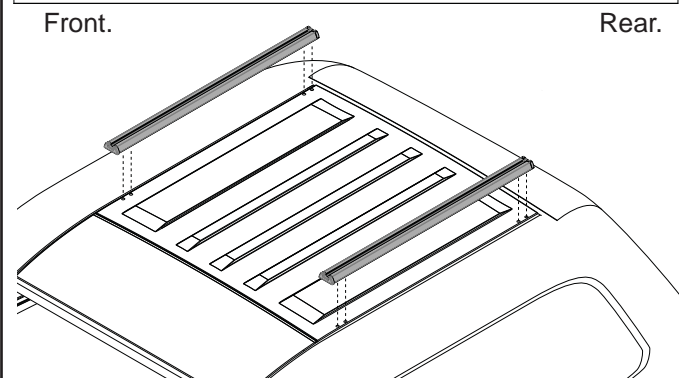
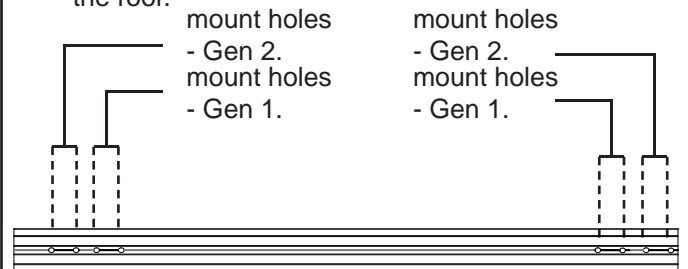
- 2** Peel off the one side of backing tape on the Butyl Patches provided. Place these carefully over all holes in the canopy. Remove the top layer of backing tape as shown.



- 3** 1: Remove the backing tape from each track. 2: Insert the end caps into the track.



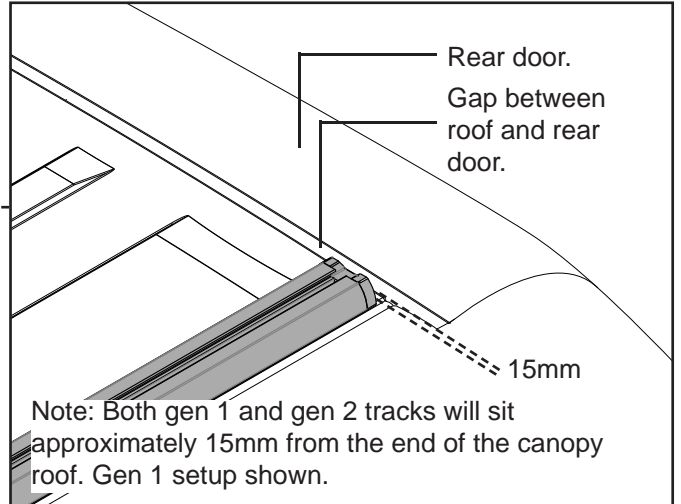
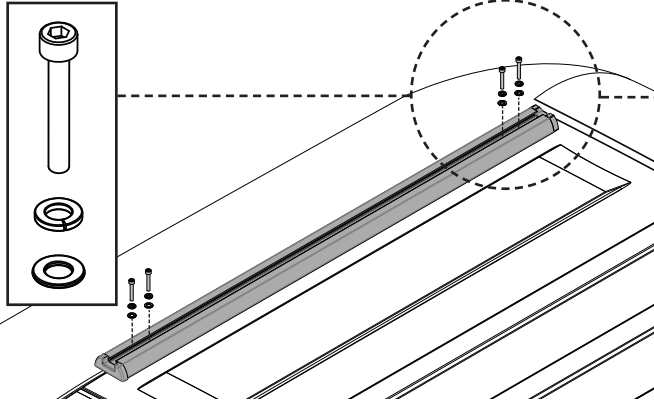
- 4** Place the tracks in place over the mount points in the roof.



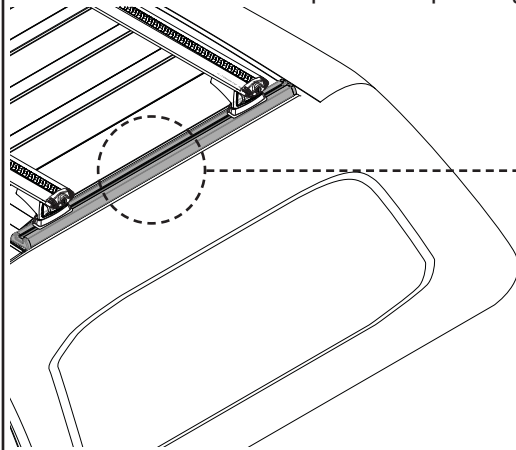


Sammitr Canopy Track Fit (Gen 1 or Gen 2)

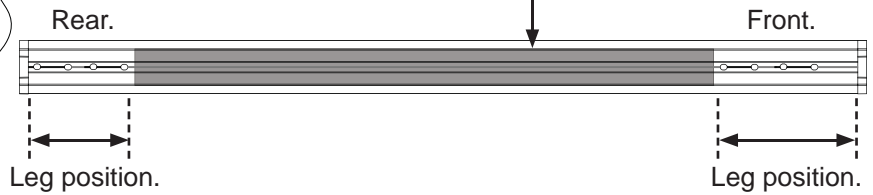
- 5** Fix the tracks to the canopy with M6 x 20mm socket head screws, spring and flat washers. Tighten with allen key provided.



- 6** Install crossbars as per corresponding instructions.



Note: Do not position crossbars in this area, as legs are not supported. Mount crossbars over cap screws.



Note

Be sure to check rear door clearance when carrying long loads. Short gas struts can be purchased from Sammitr to achieve an adjusted clearance.

	Standard	Option	Option
Product Code	2010707464SA	2010707464SA-M	2010707464SA-S
Size	430mm	410mm	390mm

