

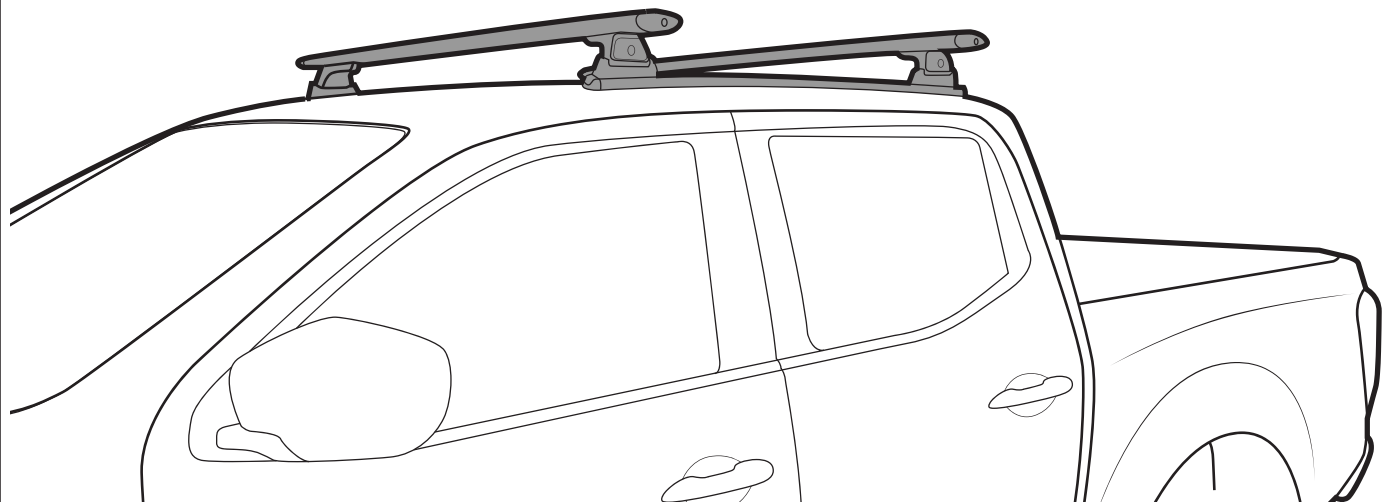


CONTROLLED

RHINO-RACK

Nissan Navara NP300 Trackmount Kit (RTS542)

Important: Please read these instructions carefully prior to installation. Please refer to your fitting instruction to ensure that the Roof Rack System is installed in the correct location. Check the contents of kit before commencing fitment and report any discrepancies. Place these instructions in the vehicle's glove box after installation is complete.



Maximum load carrying capacity: 100kg / 220lbs

Important Information

1. Check Part No./Kit is correct
2. Read through instruction before installing
3. Fit roof rack accessory
4. Check and recheck all fasteners are secure

Maximum carrying capacity: 100kg (220lbs) including the weight of the rack system.

Please refer to your vehicle manufacturers handbook for maximum carrying capacity. Always use the lower of the two figures. Load must be evenly distributed over the entire basket.

Warning: Do not attempt to fit the rack system to your vehicle unless you fully understand these fitting instructions. Please direct any questions regarding fitting to the dealer from where the roof racks were purchased.

Use only non-stretch fastening ropes or straps.

Recommendations: It is essential that all bolt connections be checked after driving a short distance when you first install your roof racks. Bolt connections should be checked again at regular intervals (once a week is enough, depending on road conditions, usage, loads and distances travelled). You should also check the roof racks each time they are re-fitted. Always make sure to fasten your load securely. Please also ensure that all loads are evenly distributed and that the centre of gravity is kept as low as possible and must be entirely contained within the extents of the roof racks. **Rack System must be removed when putting vehicle through an automatic car wash.**

Caution: The handling characteristics of the vehicle changes when you transport a load on the roof. For safety reasons we recommend you exercise extreme care when transporting wind-resistant loads. Special consideration must be taken into account when cornering and braking.

Off-road use:

The Track Rack System may be used in off road applications, however a safety factor of 1.5 is enforced. That is, maximum permissible off road load is **67kg (147lbs)**. Although the crossbars are tested and approved to AS1235-2000/ 15011154, off-road conditions can be much more rigorous. Extreme care must be taken in off road conditions

Note for Dealers and Fitters:

It is your responsibility to ensure these fitting instructions are given to the end user or client.

Rhino-Rack 3 Pike Street, Rydalmere,

NSW 2116, Australia.

(Ph) (02) 9638 4744

(Fax) (02) 9638 4822

Document No: R924

Prepared By: Kayle Everett

Authorised By: Chris Murty

Fit Time: 1.5 Hours

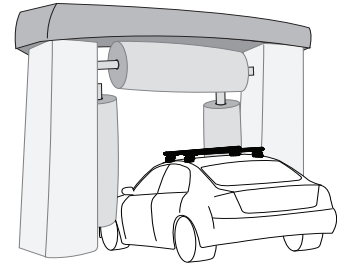
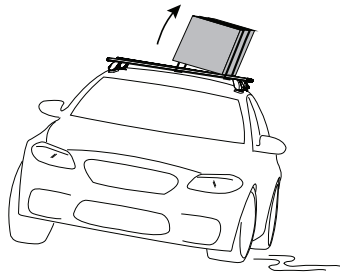
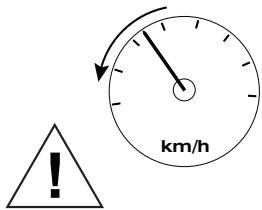
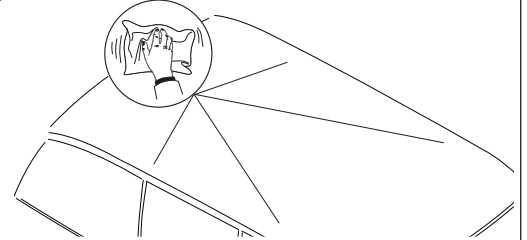
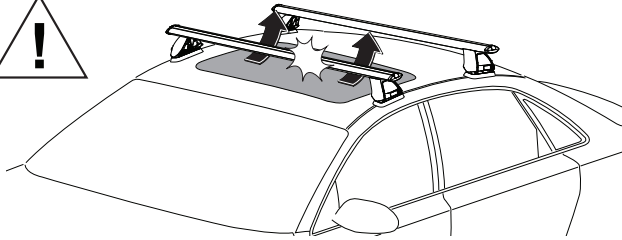
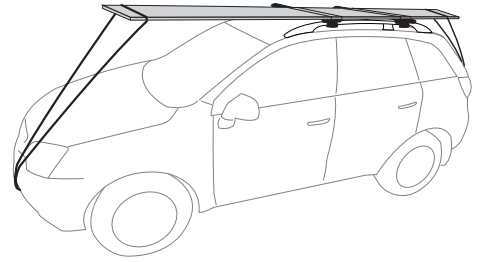
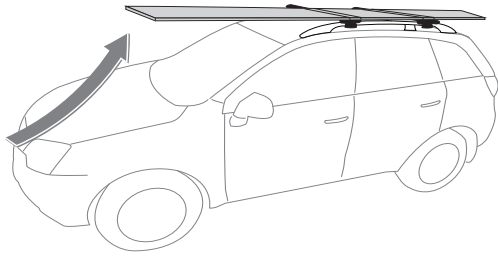
Issue No: 02

Issue Date: 03/11/2015

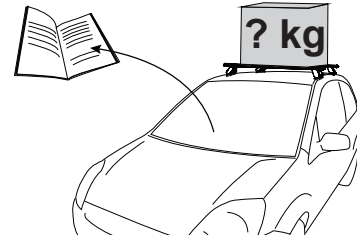
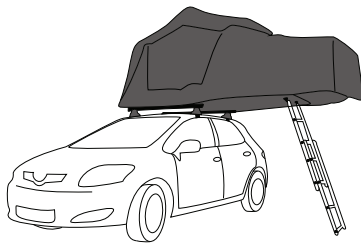
These instructions remain the property of Rhino-Rack Australia Pty. Ltd. and may not be used or changed for any other purpose than intended.



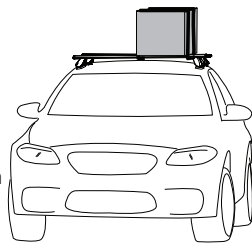
Nissan Navara NP300 Trackmount Kit (RTS542)



Ensure Ladder is well supported on the ground to help support tent. Take extreme caution when climbing heights above 1.2m/4ft.



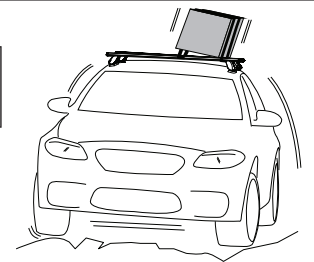
When these roof racks are to be used on a vehicle that is driven off sealed roads, the manufacturer maximum roof load rating (to be found in the vehicles User Manual) should be **divided by 1.5**. Do not forget to subtract the complete crossbar system weight from your maximum carrying capacity.



100kg/220lbs
(Urban Road)

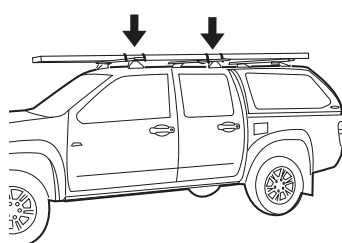
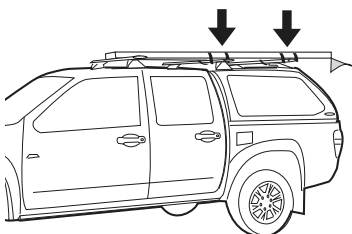
=

67kg/147lbs
(Off Road)

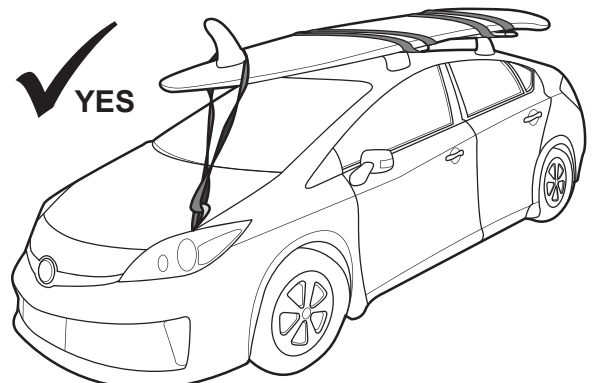


WARNING! Important Load Carrying Instructions

With utility vehicles, the cabin and the canopy move independently. Roof racks and vehicle can be damaged if the item transported is rigidly fixed at points on both the cabin and canopy. Instead, rigidly fix to either the cabin roof racks or the canopy roof racks.



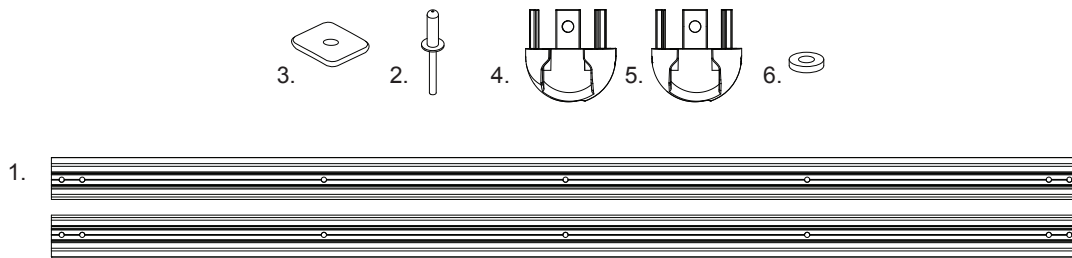
Paddle/ Surfboards should be fixed to the front of the vehicle.





Nissan Navara NP300 Trackmount Kit (RTS542)

Parts List



Item	RTS542 Kit	Qty	Part No.
1	Navara NP300 1000mm	2	A737
2	Rivet	14	H053
3	Butyl Patch 20x20mm 4.5mm rivet hole	14	CA1397
4	End Cap FR,RL	2	M809
5	End Cap FL,RR	2	M808
6	Rivet Gun Spacer 4mm	1	CA1555
7	Instructions	1	R924

Tools Required:

- | | |
|-------------------|---------------------------|
| 1. Measuring Tape | 5. Cold Galvanising Paint |
| 2. Drill | 6. Cotton Buds |
| 3. 5mm Drill Bit | 7. Clean Cloth |
| 4. Drill Stop | 8. Marker |
| | 9. Vacuum Cleaner |

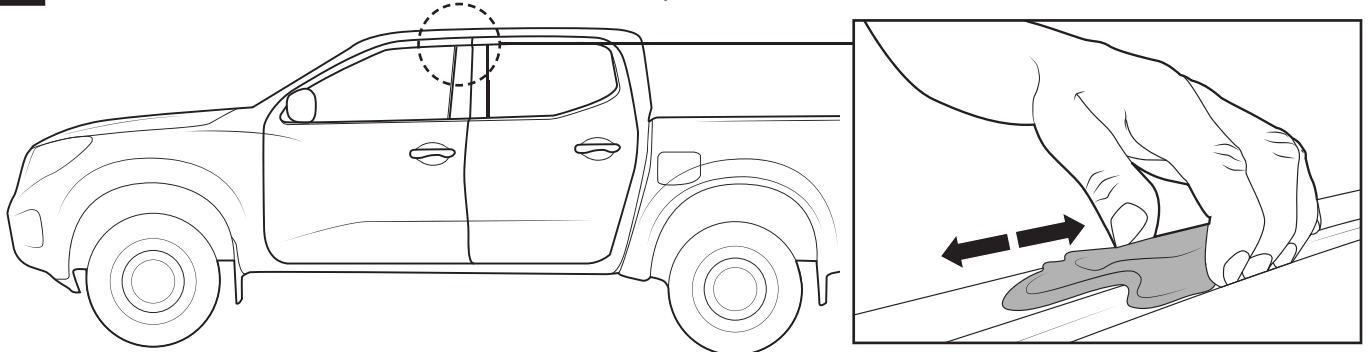
Note:

Crossbar Length: 1375mm
Leg Kit: RLT600

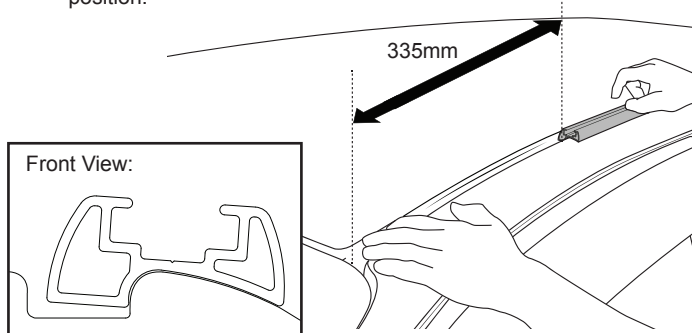
Crossbar and Leg Kits are sold as separate. Leg Spacer kits may be required for more than two crossbars.

Preparing Vehicle

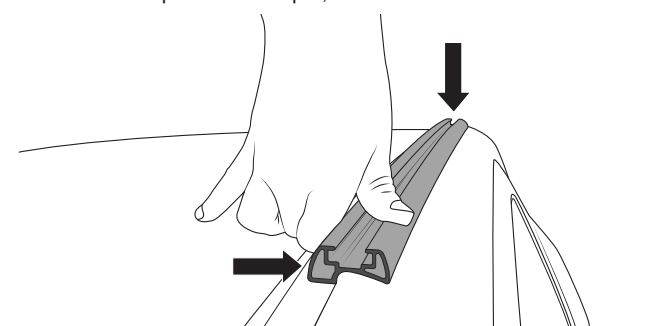
- 1** Move to the roof of the vehicle. Use a clean cloth and remove any dirt and debris from the roof ditch.



- 2** Place the Tracks into the roof ditch. The Tracks sit 335mm back from the windshield, be sure to orientate the Tracks in the correct position.

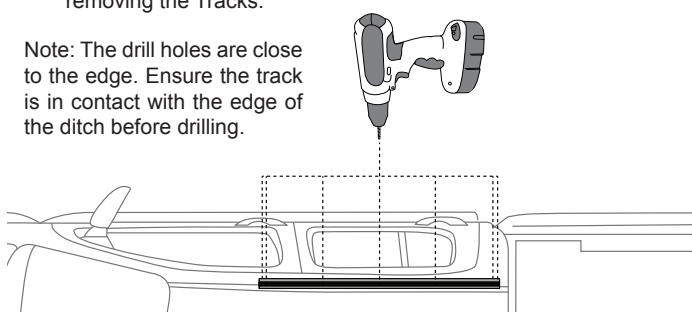


- 3** Apply pressure to the track at both ends, bending it to the contour of the roof ditch. **Note:** It is recommended to have an additional person for step 3, 4 and 11.

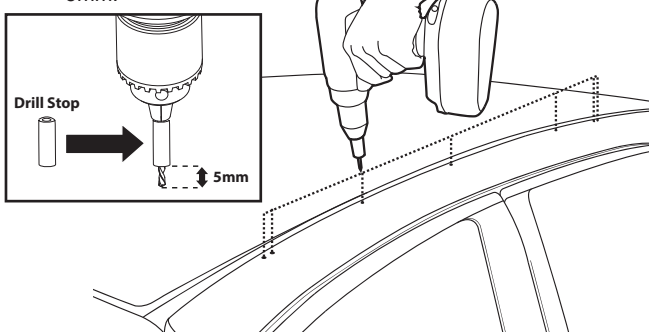


- 4** With someone holding the track in position spot mark all holes in the Track with a 5mm drill bit. Check positioning is correct before removing the Tracks.

Note: The drill holes are close to the edge. Ensure the track is in contact with the edge of the ditch before drilling.



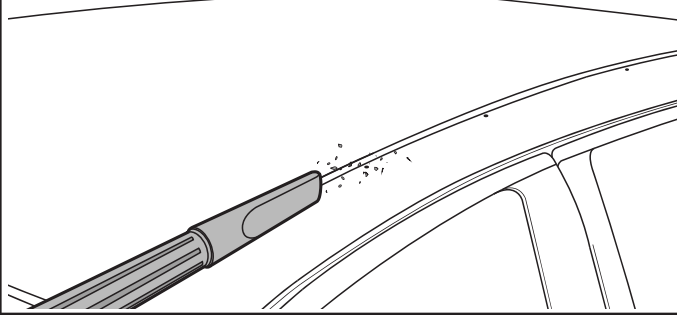
- 5** Drill out spot marks with a 5mm drill bit and a drill stop set to 5mm.





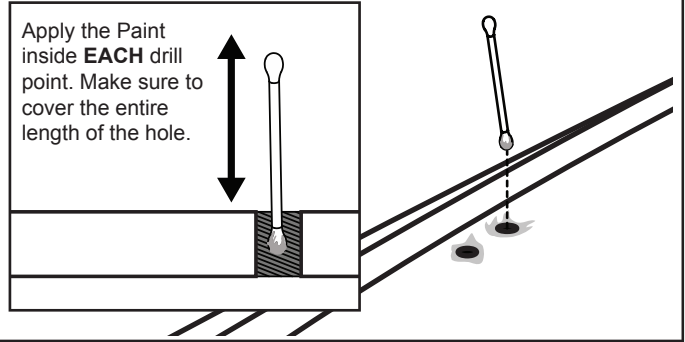
Nissan Navara NP300 Trackmount Kit (RTS542)

6 Vacuum any swarf from the drilled areas. Tip: If it is possible, it is recommended to use an additional person to vacuum while you are drilling. This will reduce the amount of swarf entering the hood lining or inner roof panel.

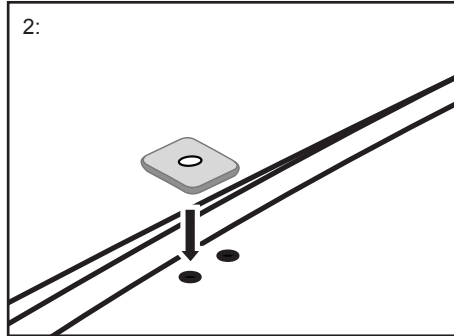
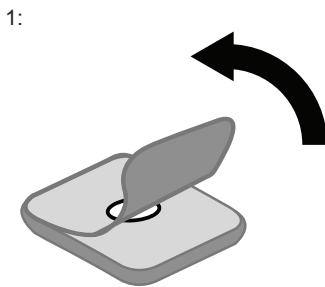


7 Apply **COLD GALVANISING PAINT**. Make sure to spread around drilled hole as well as inside. Allow 10min to dry. Weather conditions may alter drying time.

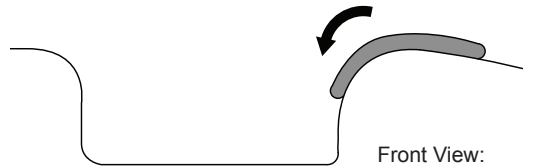
Apply the Paint inside **EACH** drill point. Make sure to cover the entire length of the hole.



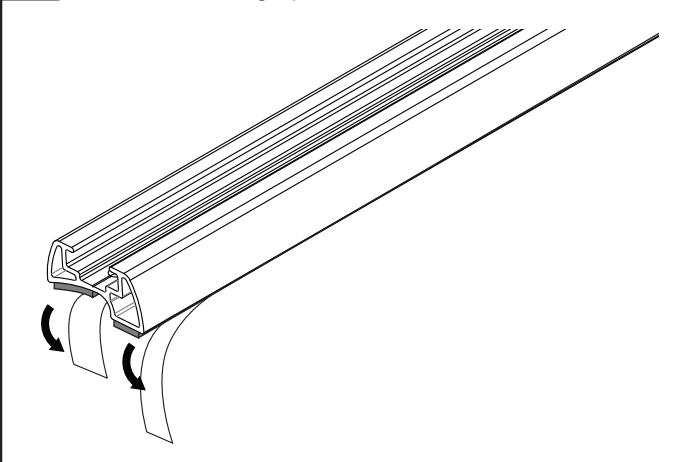
8 1: Remove the backing tape from the Butyl Patches. 2: **Place them over all holes drilled.** Remove the tape from the top of the patches.



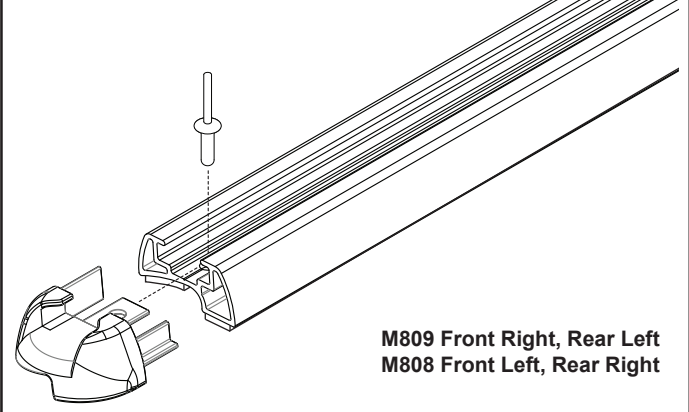
Note: The Butyl Patch will wrap around the apex of the roof ditch. Before removing the top tape layer be sure all rivet holes line up with the those in the Track.



9 Remove the backing tape from the foam on both Tracks.



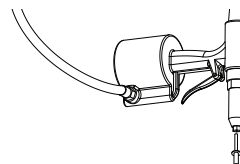
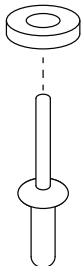
10 Insert the End Caps into the Tracks. Hold in place with a Rivet. Insert all rivets into the Track and then move into position on the roof.



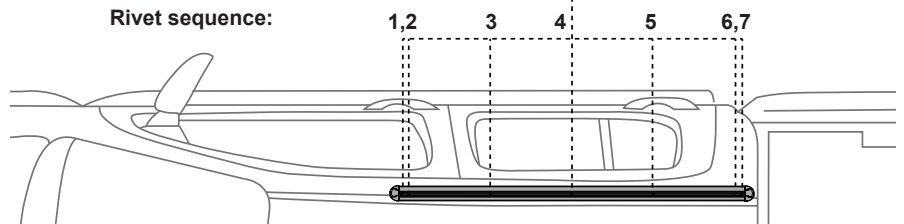
M809 Front Right, Rear Left
M808 Front Left, Rear Right

11 Using either a pneumatic or concertina type rivet gun (not a small hand gun), rivet the Track into place. Make sure all Rivets are seated firmly onto the base of the track, place the Rivet Gun Spacer onto the Rivet and gentle tap on the back ensures the rivet is seated before compressing. **Check Track alignment carefully before starting.** Start at the front and move towards the rear.

Place the Rivet Gun Spacer over the Rivet before fixing in place. This will prevent the Rivet Gun scratching the Tracks.



Rivet sequence:



Install Crossbars as per instructions