



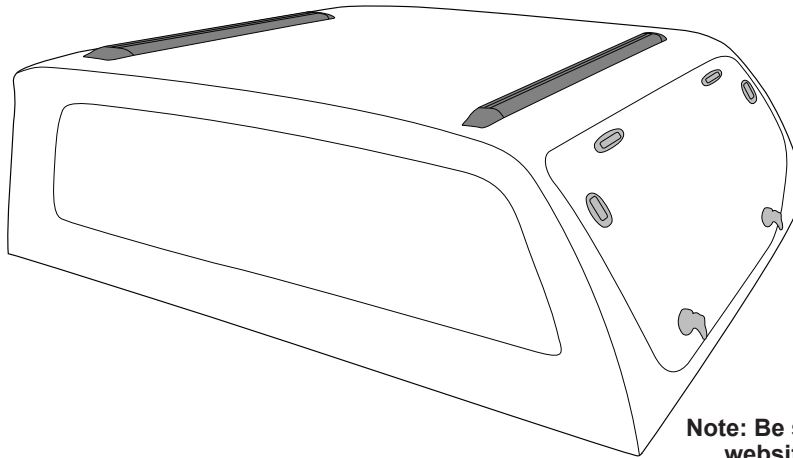
CONTROLLED

RHINO-RACK

Flexiglass (Flexisport) Canopy Track System (RTCFG01)

Important: Please read these instructions carefully prior to installation.
 Please refer to your fitting instruction to ensure that the Canopy Rack System is installed in the correct location.
 Check the contents of kit before commencing fitment and report any discrepancies.
 Place these instructions in the vehicle's glove box after installation is complete.

Fit Time: 1 Hour



Note: Be sure to check Rhino-Rack website to ascertain if you have the latest version of instructions.

Important Information

Maximum carrying capacity:

On Road Cargo Allowance	Unsealed Road Cargo Allowance	Roof Allowance	Rack Weight
95kg / 209lb	66kg / 145lb	100kg / 220lb	5kg / 11lb

Roof Allowance: Total permissible weight attached to the roof of the car. This is inclusive of the weight of the roof rack system

Cargo Allowance: Total permissible weight allowed on top, and attached to roof racks whilst the vehicle is in motion

Please refer to your vehicle manufacturers handbook for maximum carrying capacity. Always use the lower of the two figures. Load must be evenly distributed over the entire Pioneer. Weight of roof rack accessories is to be included in cargo allowance.

Torque settings

Unless stated otherwise in these instructions, all fasteners should be set to the following torque settings -

M6: 4-5Nm (3-4lbs/ft), M8: 8-10Nm (6-7.5lbs/ft) and M10: 16-18Nm (12-13lbs/ft).

Warning:

- Check Part No. and/ or Kit is correct for use with your vehicle
- Do not attempt to fit the rack system to your vehicle unless you fully understand these fitting instructions. Please direct any questions regarding fitting to the dealer from where the roof racks were purchased.
- **Use only non-stretch fastening ropes or straps.**
- The handling characteristics of the vehicle changes when you transport a load on the roof. For safety reasons we recommend you exercise extreme care when transporting wind-resistant loads. Special consideration must be taken into account when cornering and braking.
- Although the system is tested and approved to AS1235-2000 / ISO 11154, off-road conditions can be much more rigorous. Extreme care must be taken in off road conditions

Recommendations:

It is essential that all bolt connections be checked after driving a short distance when you first install your roof racks. Bolt connections should be checked again at regular intervals (once a week is enough, depending on road conditions, usage, loads and distances travelled). You should also check the roof racks each time they are re-fitted. Always make sure to fasten your load securely. Please also ensure that all loads are evenly distributed and that the centre of gravity is kept as low as possible and must be entirely contained within the extents of the roof racks.

Note for Dealers and Fitters:

It is your responsibility to ensure these fitting instructions are given to the end user or client

Rhino-Rack, 22 Hanson St, Eastern Creek

NSW 2766, Australia

(02) 8846 1900

rhinorack.com.au

Document No: R297

Prepared By: Kayle Everett

Authorised By: Rod Renkin

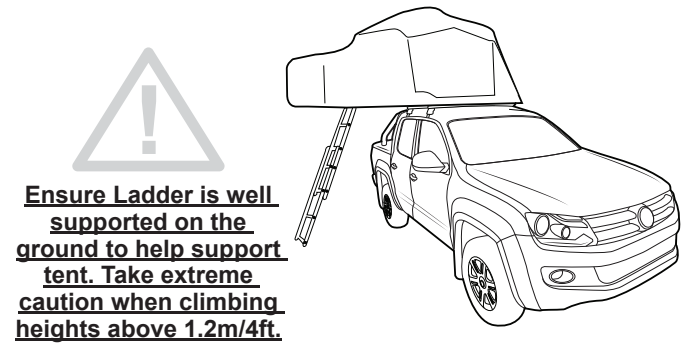
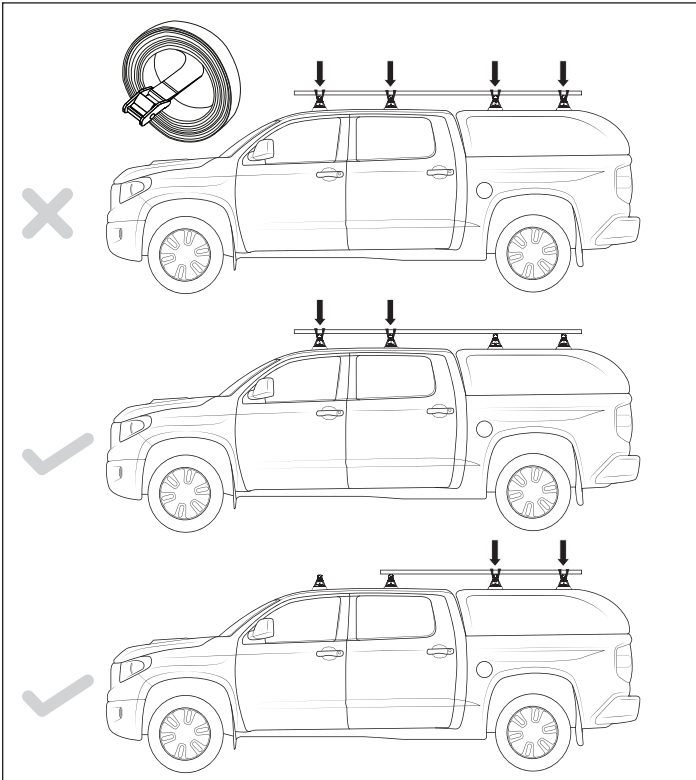
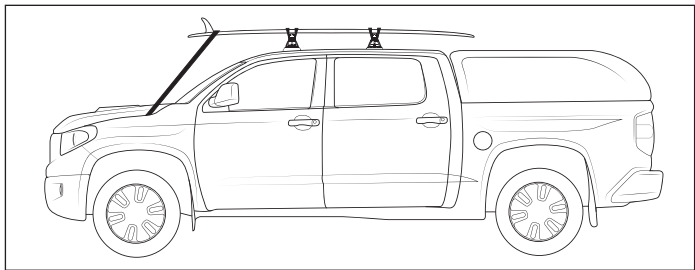
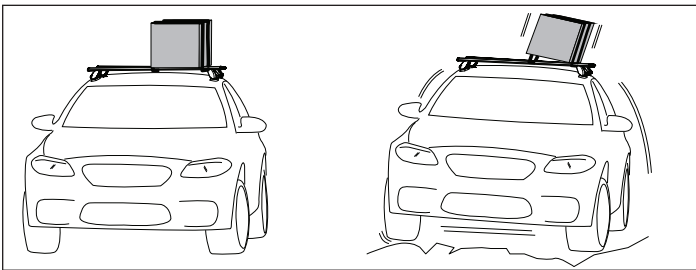
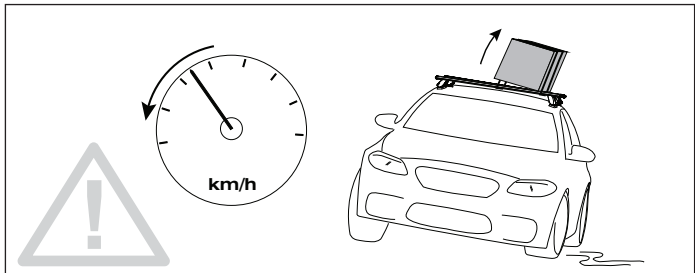
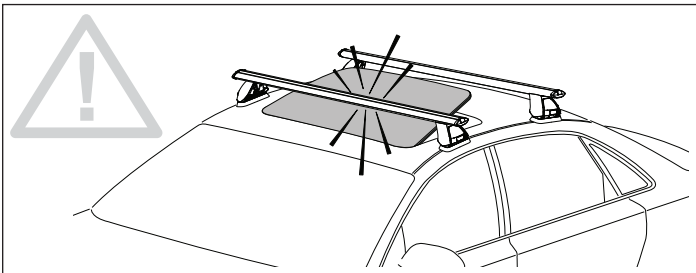
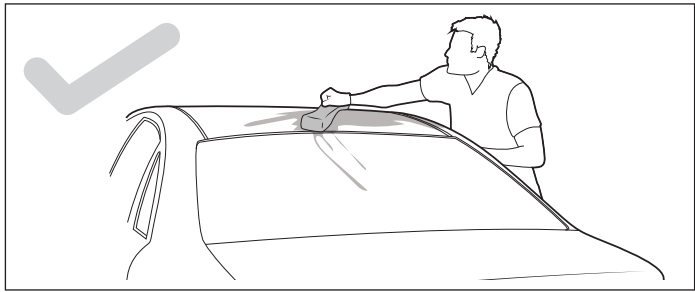
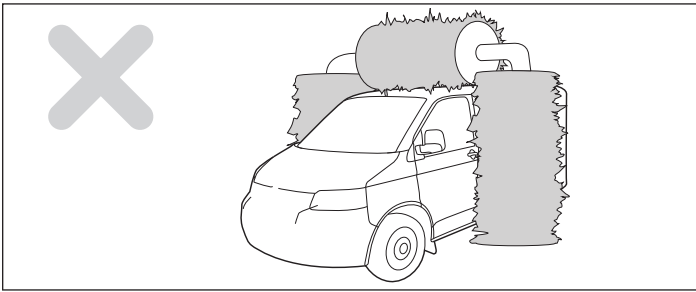
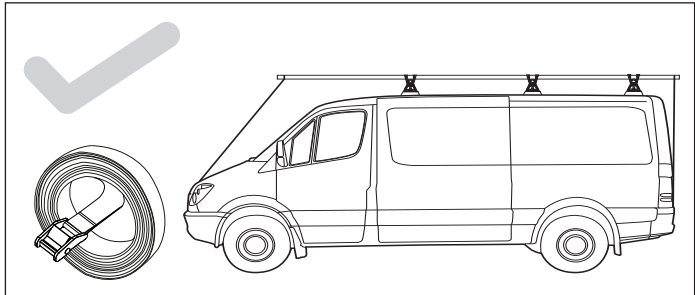
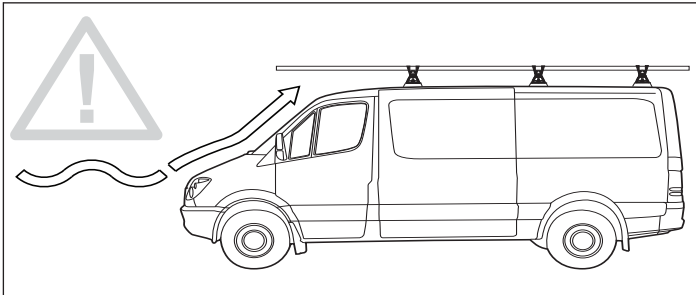
Issue No: 05

Issue Date: 27/09/2018

These instructions remain the property of Rhino-Rack Australia Pty. Ltd. and may not be used or changed for any other purpose than intended.



Flexiglass (Flexisport) Canopy Track System (RTCFG01)



Ensure Ladder is well supported on the ground to help support tent. Take extreme caution when climbing heights above 1.2m/4ft.

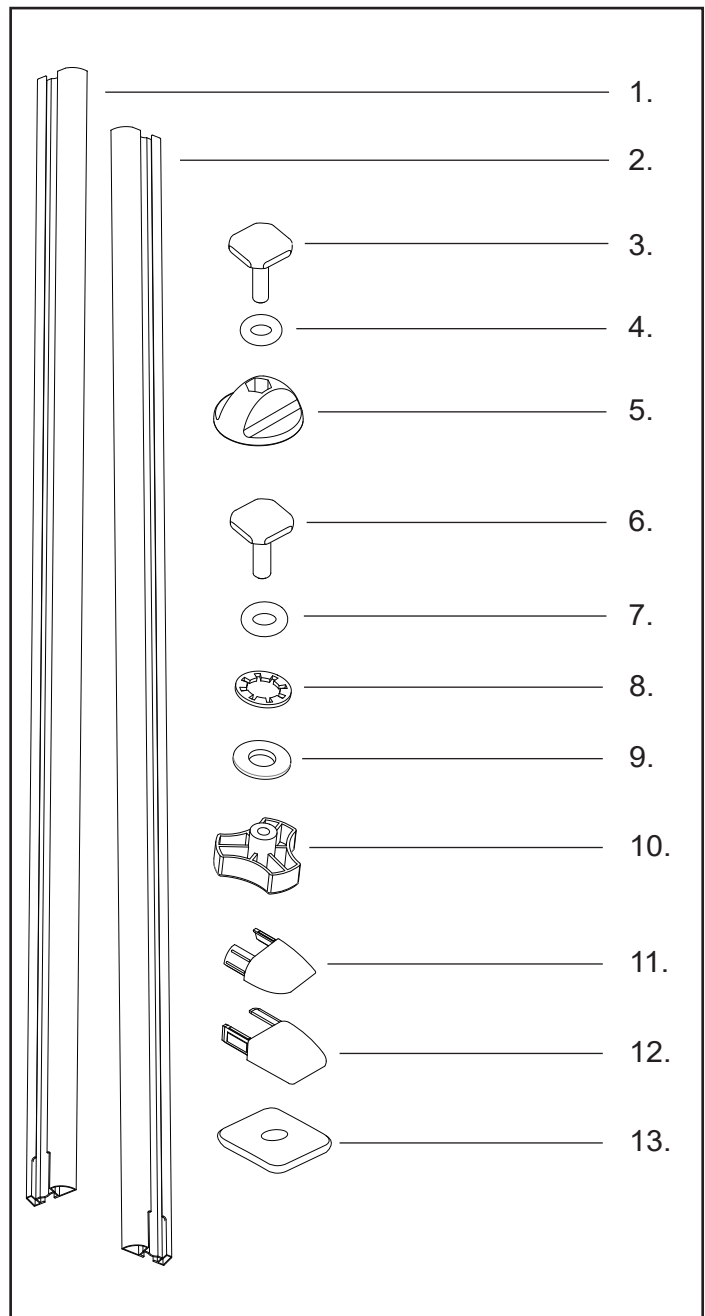
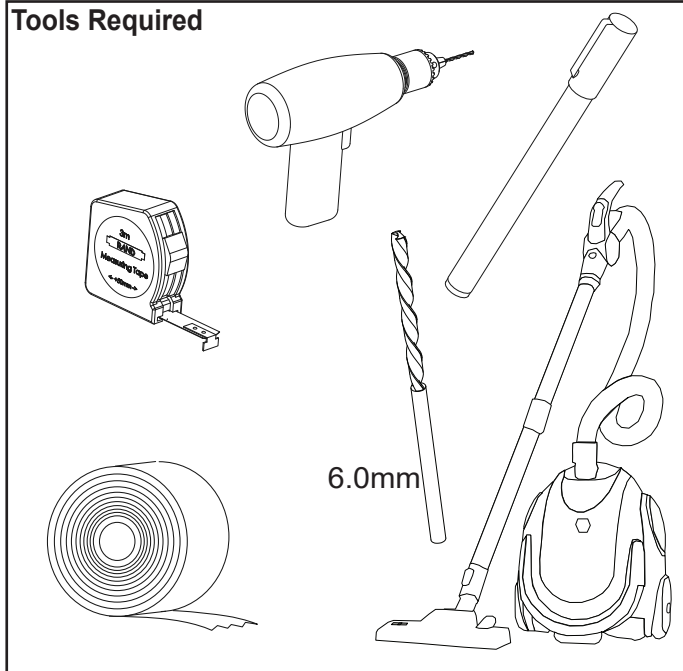


Flexiglass (Flexisport) Canopy Track System (RTCFG01)

Parts List

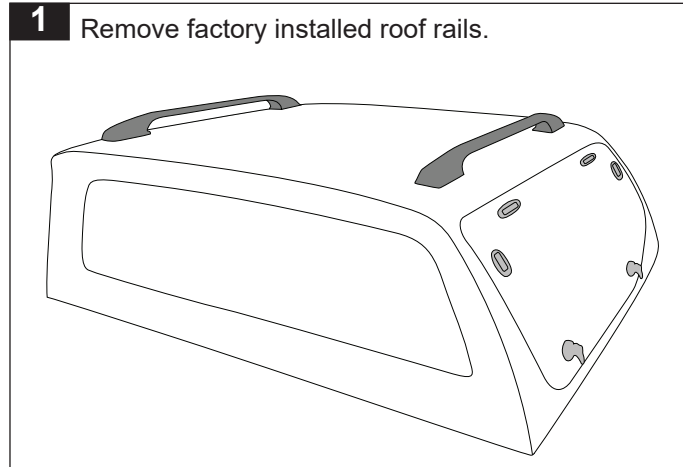
Item	Component Name	Part No.	QTY
1	Track - Right	A256	1
2	Track - Left	A256	1
3	M6x35mm T-bolt	B129	4
4	6x3mm O-ring	C347	4
5	M6 Nyloc Knob	M175	4
6	M8x30mm T-bolt	B130	8
7	7x4mm O-ring	C299	4
8	M8 Internal shakeproof washer	W033	8
9	M8x20mm Flat washer	W036	8
10	M8 Tri-star hex dial	N054	8
11	Track End Cap	M525	2
12	Track End Cap	M526	2
13	Butyl Patches	CA1397	12
14	Fitting Instructions	R297	1

Tools Required

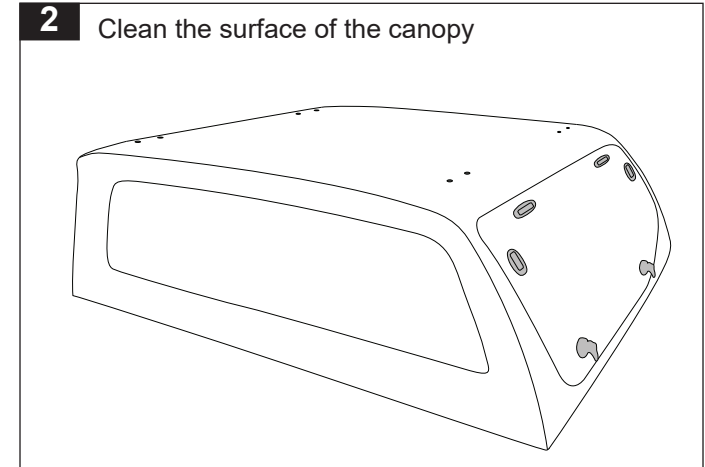


Installation

1 Remove factory installed roof rails.



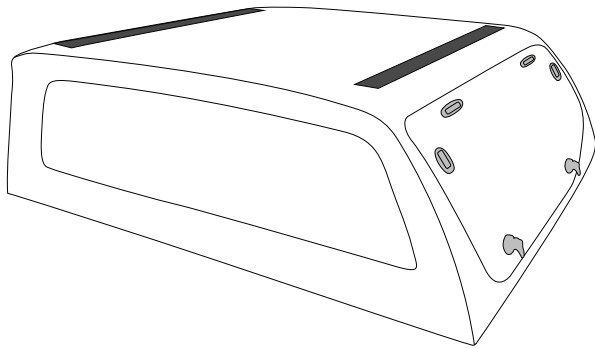
2 Clean the surface of the canopy



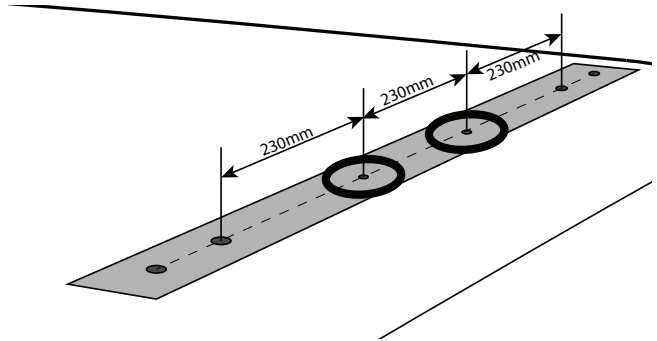


Flexiglass (Flexisport) Canopy Track System (RTCFG01)

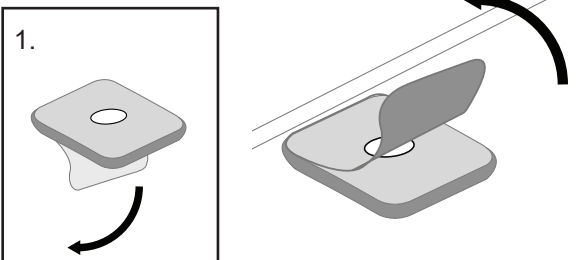
3 Mask the canopy as shown.



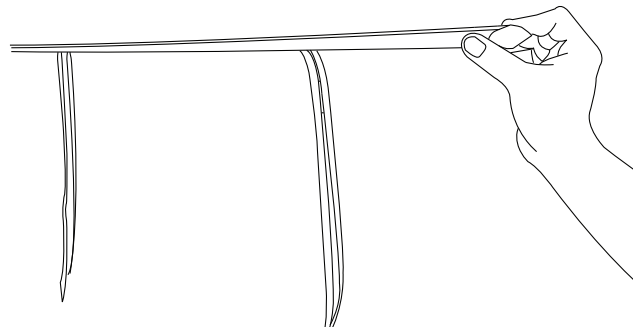
4 Mark the two (2) centre locations of the canopy as shown, and drill at 6.0mm



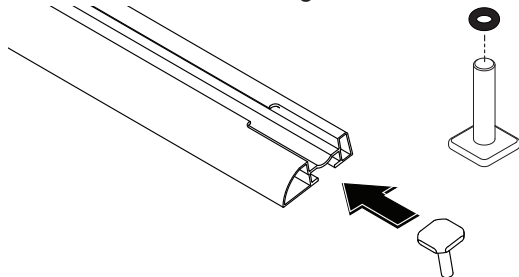
5 1: Remove the backing tape from the Butyl Patches.
2: Place over holes drilled. Once in place remove the rest of the protective tape from the top of the patches. This patch will provide the water tight seal.



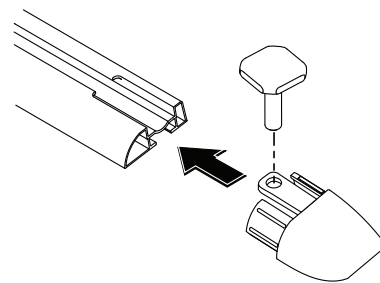
6 Remove back tape from foam on underside of tracks.



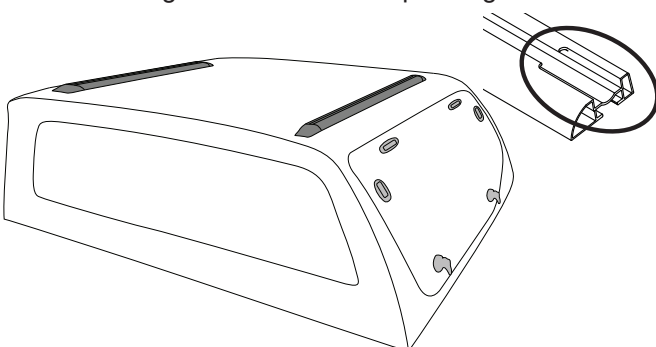
7 Slide the following T-bolts into the C channel of each track. 1x M8, 2x M6, 1x M8. Install the following O-rings on each T-bolt. 7mm on M8 and 6mm on M6. The T-Bolt on either end of the track does not use an O-ring.



8 Install 1x M8 T-bolt through each end cap. Slide the endcap assembly into the C channel



9 Fit the track to the canopy, ensure that the cutout on the track is at the rear of the canopy and each bolt is aligned with the corresponding hole.



10 Secure the track to the roof as follows:
M6: 1x M6 Nyloc knob [item 5]
M8: 1x M8 internal shakeproof washer [item 8]
1x M8x19mm flat washer [item 9]
1x M8 tri-star hex dial [item 10]

