

RSK03

Item	Component RSK01	Qty	Part No.
1	RSB Locking Strap Short	4	CA1319
2	Locking Barrel	4	-
3	Metal Key	2	-
4	4mm Allen Key	1	H049
5	LH RSB Gasket	2	M824
6	RH RSB Gasket	2	M825
7	Metal Plate Insert	4	CA1580

Note: RBK03 is intended for use with RSB01S/B, RSB02S/B, RSB03S/B, RSB04S/B, RSB05S/B, RSB06S/B and RSB07S/B. Refer to R504 Stealth Bar instructions for installation.

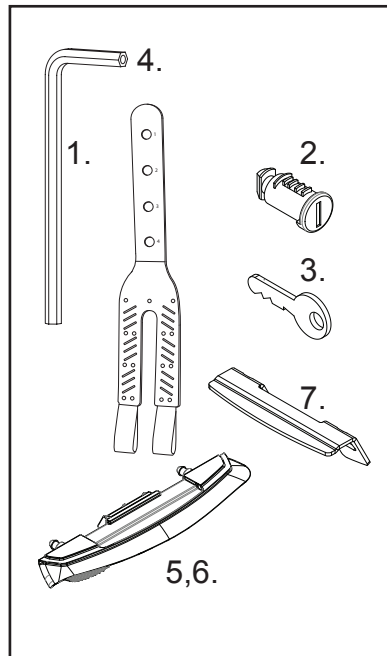
Issue: 01

Date: 20/01/16

Document No: R902

Prepared: Kayle Everett

Authorised: Chris Murty



1 Install the Metal Plate onto the RSB Gasket as shown before installing onto the RSB Leg. **CONTROLLED**

2 Wide end of Gasket faces toward front of vehicle. Note Left (LH) and Right (RH) for correct side of vehicle. Wide End faces forward.

RSK03

Item	Component RSK01	Qty	Part No.
1	RSB Locking Strap Short	4	CA1319
2	Locking Barrel	4	-
3	Metal Key	2	-
4	4mm Allen Key	1	H049
5	LH RSB Gasket	2	M824
6	RH RSB Gasket	2	M825
7	Metal Plate Insert	4	CA1580

Note: RBK03 is intended for use with RSB01S/B, RSB02S/B, RSB03S/B, RSB04S/B, RSB05S/B, RSB06S/B and RSB07S/B. Refer to R504 Stealth Bar instructions for installation.

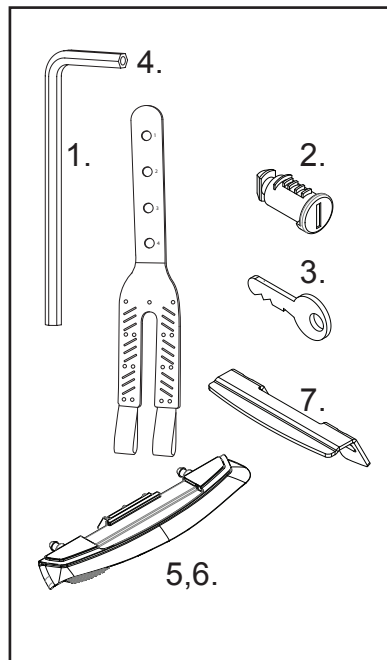
Issue: 01

Date: 20/01/16

Document No: R902

Prepared: Kayle Everett

Authorised: Chris Murty



1 Install the Metal Plate onto the RSB Gasket as shown before installing onto the RSB Leg. **CONTROLLED**

2 Wide end of Gasket faces toward front of vehicle. Note Left (LH) and Right (RH) for correct side of vehicle. Wide End faces forward.

RSK03

Item	Component RSK01	Qty	Part No.
1	RSB Locking Strap Short	4	CA1319
2	Locking Barrel	4	-
3	Metal Key	2	-
4	4mm Allen Key	1	H049
5	LH RSB Gasket	2	M824
6	RH RSB Gasket	2	M825
7	Metal Plate Insert	4	CA1580

Note: RBK03 is intended for use with RSB01S/B, RSB02S/B, RSB03S/B, RSB04S/B, RSB05S/B, RSB06S/B and RSB07S/B. Refer to R504 Stealth Bar instructions for installation.

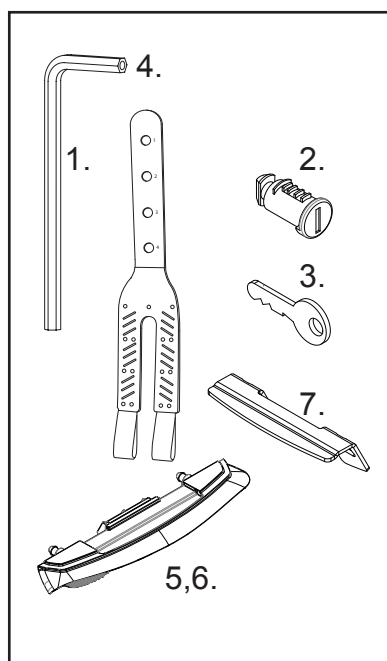
Issue: 01

Date: 20/01/16

Document No: R902

Prepared: Kayle Everett

Authorised: Chris Murty



1 Install the Metal Plate onto the RSB Gasket as shown before installing onto the RSB Leg. **CONTROLLED**

2 Wide end of Gasket faces toward front of vehicle. Note Left (LH) and Right (RH) for correct side of vehicle. Wide End faces forward.