



RHINO-RACK

Aerodynamic & Heavy Duty Roof Rack Systems

REG - Rhino Ladder Slide

Place these instructions in the vehicle's glove box after installation is complete.

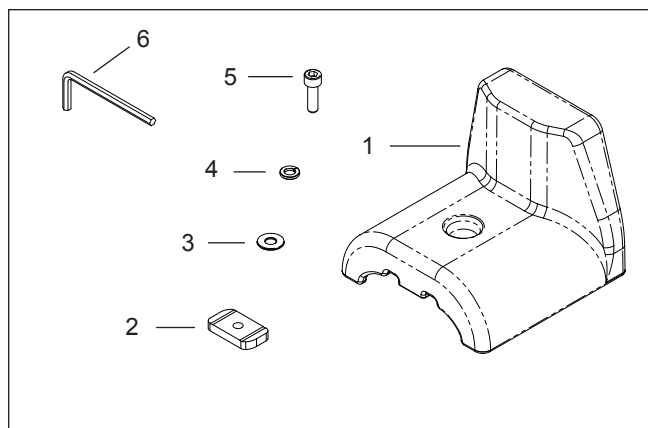
Important: Please read these instructions carefully prior to installation.
Please refer to your fitting instruction to ensure that the roof racks are installed in the correct locations.
Check the contents of this kit before commencing fitment and report any discrepancies.

Parts List

Item	Component Name	Qty	Part No.
1	Ladder Slide	2	M400
2	M6 Channel Nut	2	N002
3	M6 x 16mm Flat Washer	2	W031
4	M6 Spring Washer	2	W004
5	M6 x 20mm Bolt	2	B054
6	5mm Allen Key	1	H002
7	Fitting Instructions	1	RR-181

Tools Required

5mm Allen Key (provided in kit)



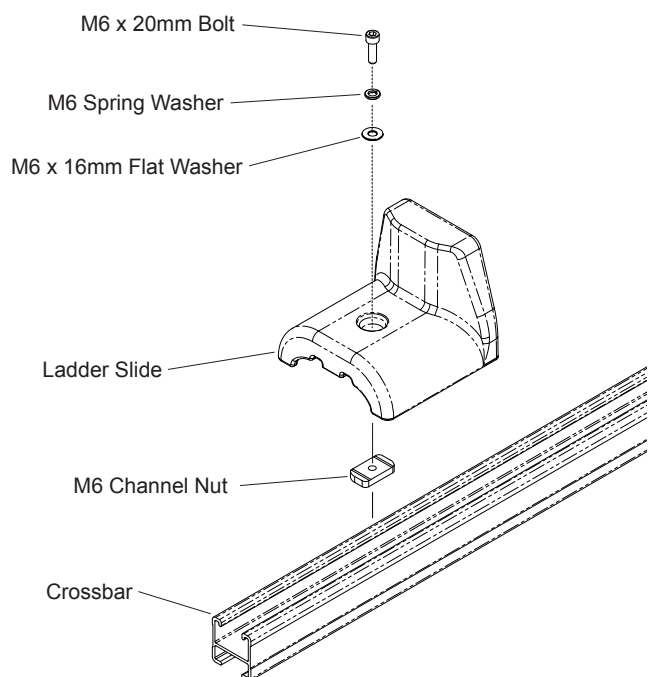
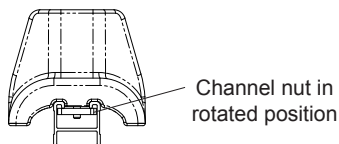
Fitment

Remove the Buffer strip from the crossbar. Assemble hardware to the ladder slide as indicated and leave loose.

Rotate the Channel Nut as shown and lower the ladder slide onto the crossbar so the Channel Nut sits within the bar.

Tighten the Bolt and make sure that the Channel Nut has rotated under the lip of the cross bar as detailed below.

Cut the buffer strip to the right size and replace in the crossbar. The buffer strip should sit up against the ladder slide on both sides.



Rhino-Rack
3 Pike Street, Rydalmere,
NSW 2116, Australia.
(Ph) (02) 9638 4744
(Fax) (02) 9638 4822

Document No: RR-181
Prepared By: Nigel Greig
Authorised By: Gary England

Issue No: 03
Issue Date: 21/12/2010

These instructions remain the property of Rhino Rack Australia Pty Ltd and may not be used or changed for any other purpose than intended.