



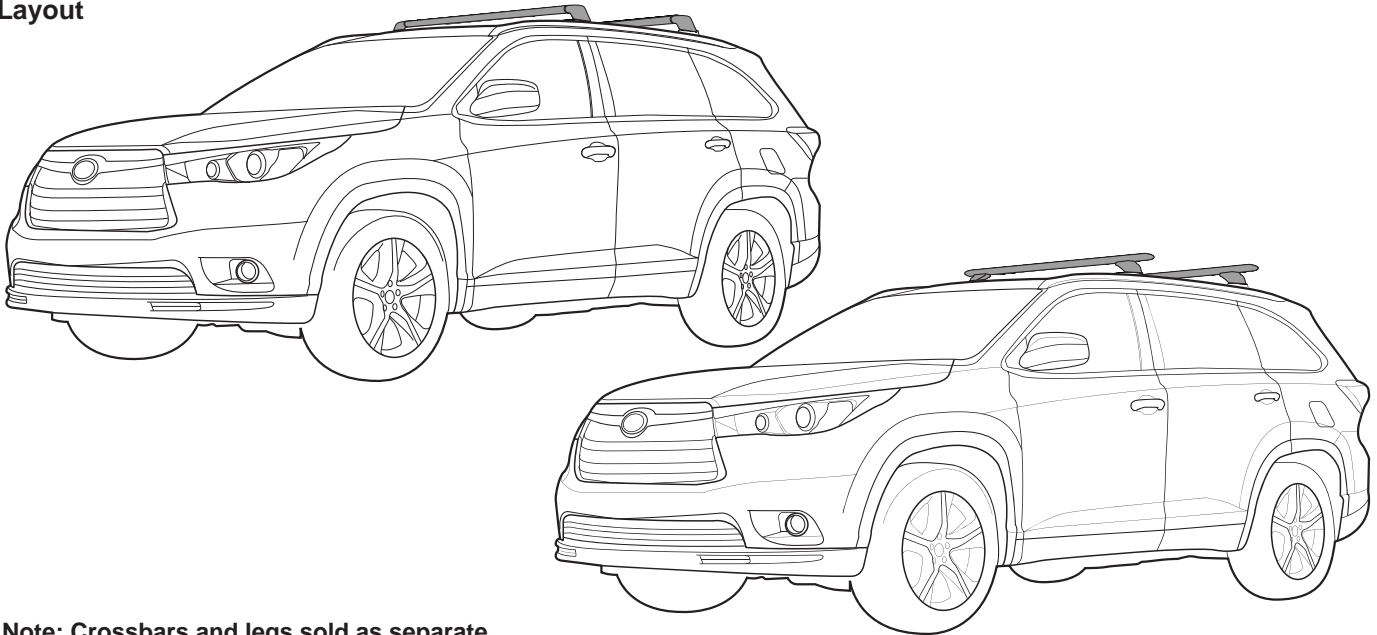
**CONTROLLED**

# RHINO-RACK

## Toyota Highlander RCP31-BK

**Important:** Please read these instructions carefully prior to installation.  
Please refer to your fitting instruction to ensure that the Roof Rack System is installed in the correct location.  
Check the contents of kit before commencing fitment and report any discrepancies.  
Place these instructions in the vehicle's glove box after installation is complete.

### Layout



**Note:** Crossbars and legs sold as separate.

### Important Information

1.  Check Part No./Kit is correct
2.  Read through instruction before installing
3.  Fit roof rack accessory
4.  Check and recheck all fasteners are secure

**Note:** Be sure to check Rhino-Rack website to see if you have the latest version of instructions before beginning installation.

**Maximum carrying capacity:** 100kg (220lbs) including the weight of the rack system 5kg (11lbs).

Please refer to your vehicle manufacturers handbook for maximum carrying capacity. Always use the lower of the two figures. Load must be evenly distributed over the entire basket.

**Warning:** Do not attempt to fit the roof rack system to your vehicle unless you fully understand these fitting instructions. Please direct any questions regarding fitting to the dealer from where the roof racks were purchased.

**Use only non-stretch fastening ropes or straps.**

**Recommendations:** It is essential that all bolt connections be checked after driving a short distance when you first install your roof racks. Bolt connections should be checked again at regular intervals (once a week is enough, depending on road conditions, usage, loads and distances travelled). You should also check the roof racks each time they are re-fitted. Always make sure to fasten your load securely. Please also ensure that all loads are evenly distributed and that the centre of gravity is kept as low as possible and must be entirely contained within the extents of the roof racks.

**Caution:** The handling characteristics of the vehicle changes when you transport a load on the roof. For safety reasons we recommend you exercise extreme care when transporting wind-resistant loads. Special consideration must be taken into account when cornering and braking.

#### Off-road use:

The Roof Rack System may be used in off road applications, however a safety factor of 1.5 is enforced. That is, maximum permissible off road load is **66kg 145lbs**). Although the crossbars are tested and approved to AS1235-2000, off-road conditions can be much more rigorous. Increasing the number of crossbars does not increase the vehicles maximum permissible roof loading.

#### Note for Dealers and Fitters:

It is your responsibility to ensure these fitting instructions are given to the end user or client.

Rhino-Rack 3 Pike Street, Rydalmere,

NSW 2116, Australia.

(Ph) (02) 9638 4744

(Fax) (02) 9638 4822

Document No: R1282

Prepared By: Kayle Everett

Authorised By: Chris Murty

Fit Time: 45min

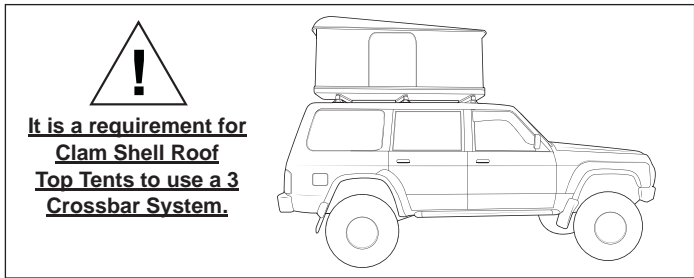
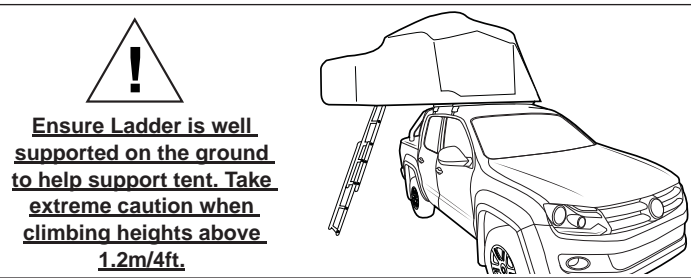
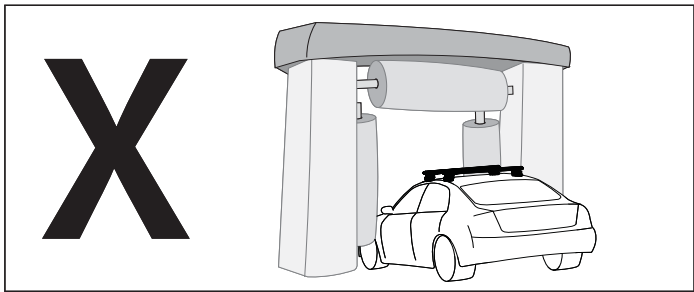
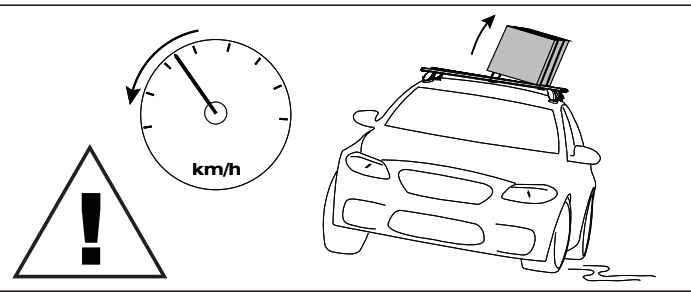
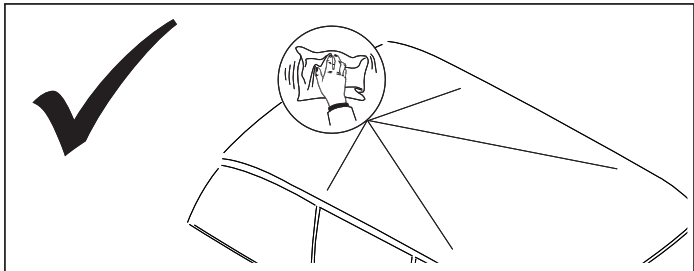
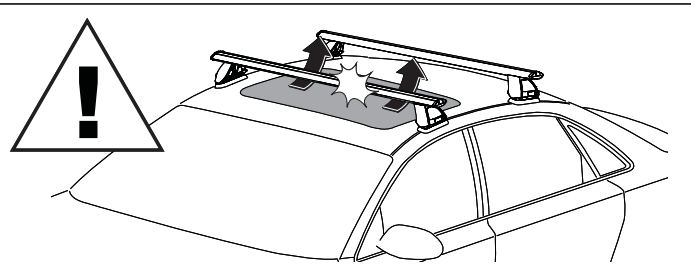
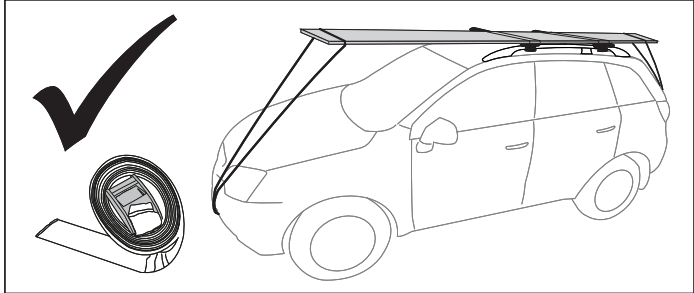
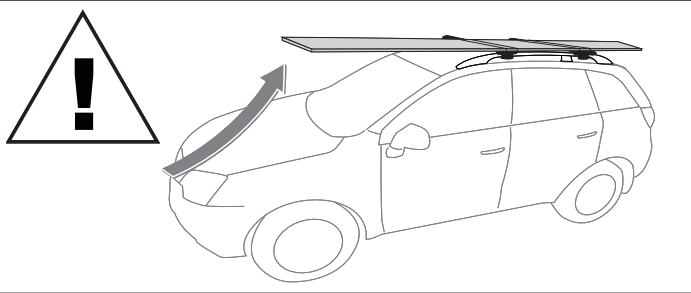
Issue No: 01

Issue Date: 07/03/2017

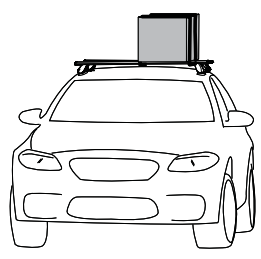
These instructions remain the property of Rhino-Rack Australia Pty. Ltd. and may not be used or changed for any other purpose than intended.



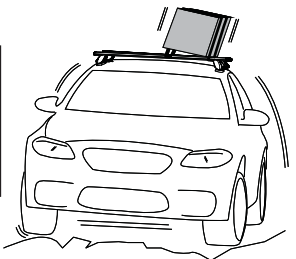
# Toyota Highlander RCP31-BK



When these roof racks are to be used on a vehicle that is driven off sealed roads, the maximum roof rack load rating should be **divided by 1.5**. Do not forget to subtract 5kg from your maximum carrying capacity due to the weight of the crossbars and legs.



<b>100kg/220lbs</b> load rating (Urban road)	=	<b>66kg/145lbs</b> load rating (Off road - 100kg / 1.5)
--	---	--



**WARNING! Important Load Carrying Instructions**

With utility vehicles, the cabin and the canopy move independently. Roof racks and vehicle can be damaged if the item transported is rigidly fixed at points on both the cabin and canopy. Instead, rigidly fix to either the cabin roof racks or the canopy roof racks.

**NO** (Incorrect: Item fixed to both cabin and canopy roof racks)

**YES** (Correct: Item fixed to either cabin or canopy roof racks)

Paddle/ Surfboards should be fixed to the front of the vehicle.

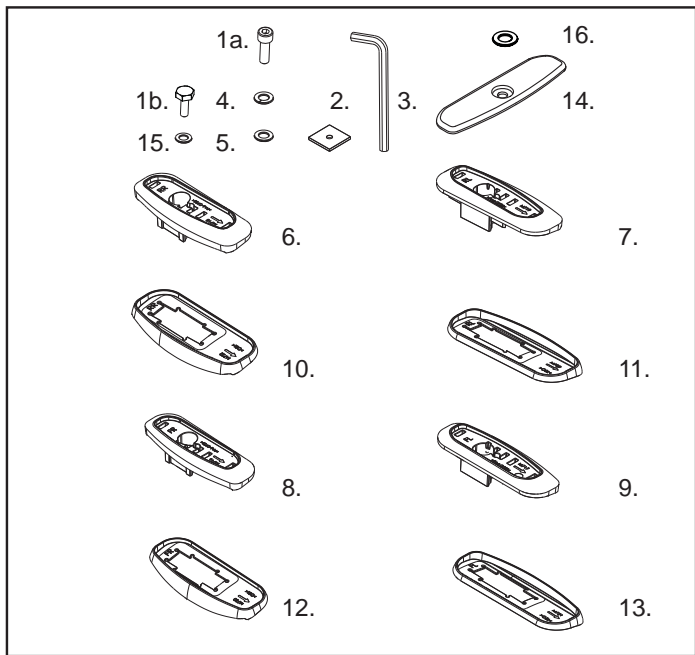
**YES**



# Toyota Highlander RCP31-BK

## Parts List

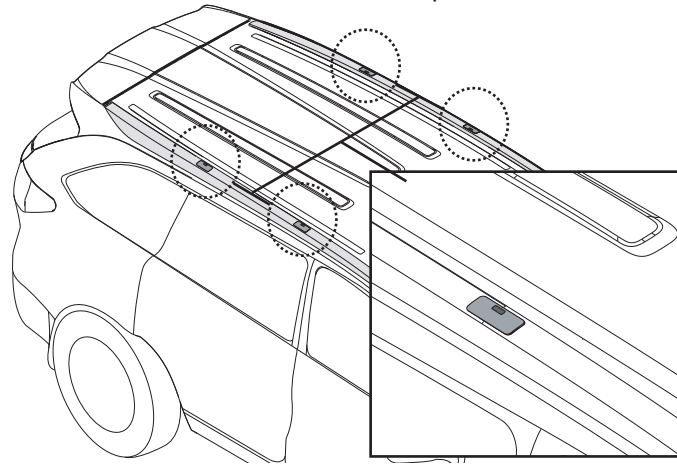
Item	Component Name	Qty	Part No.
1a	M8 x 30 Socket Screw	4	B207
1b	M6 x 30mm Hex Setscrew	4	B202
2	Butyl Patch 20 x 20	4	CA1266
3	6mm Allen Key	1	H009
4	M8 Spring Washer	4	W019
5	M8 x 17 Flat Washer	4	W020
6	Front Right Mounting Pad	1	M716
7	Front Left Mounting Pad	1	M717
8	Rear Right Mounting Pad	1	M718
9	Rear Left Mounting Pad	1	M719
10	Front Right Mounting Skirt	1	M720
11	Front Left Mounting Skirt	1	M721
12	Rear Right Mounting Skirt	1	M722
13	Rear Left Mounting Skirt	1	M723
14	Mount Point Cover	4	M126
15	M6 x 16mm Flat Washer	4	W031
16	M6 Washer (used on cover plate)	4	W003
17	Instructions	1	R1282



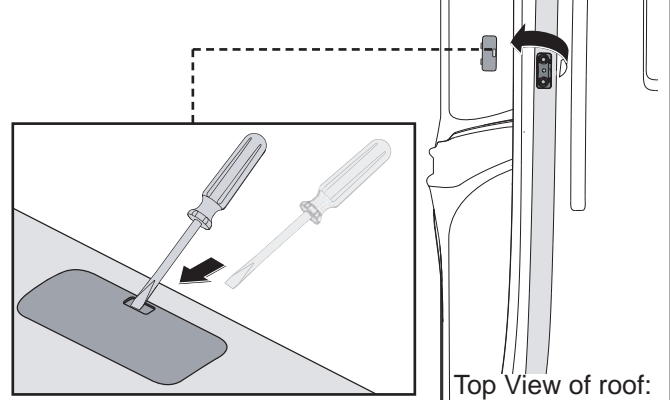
Tools Required: Allen key (provided). Flat blade screwdriver. 10mm socket wrench.

## Instructions

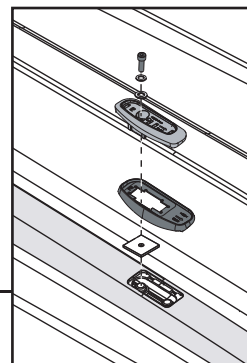
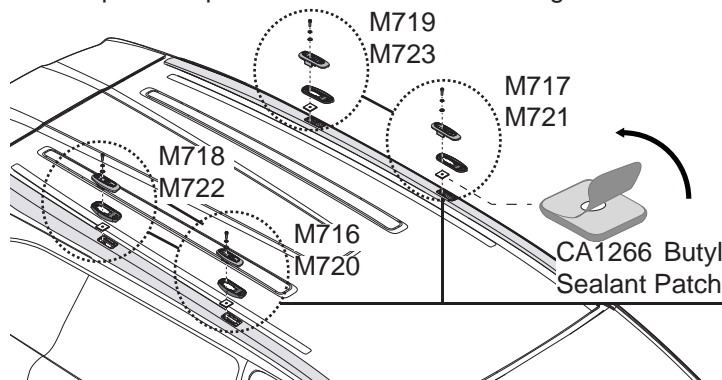
**1** Locate the four roof rail mount point covers.



**2** Using a small flat blade screw driver remove the roof rail mount covers as shown. Store in glove box for roof rack removal.



**3** Place the Front Right and Left Mounting pads into the Front Right and Left Mounting Skirts. Use an M8 Socket Screw, M8 Spring Washer and M8 Washer to fix the pads. Stick the Butyl Patches under the mounting pads. Repeat the process for the Rear Mounting Pads and Skirts. Tighten to 7-8Nm.



When crossbars are not in use, install the mount point cover plates as shown.

