



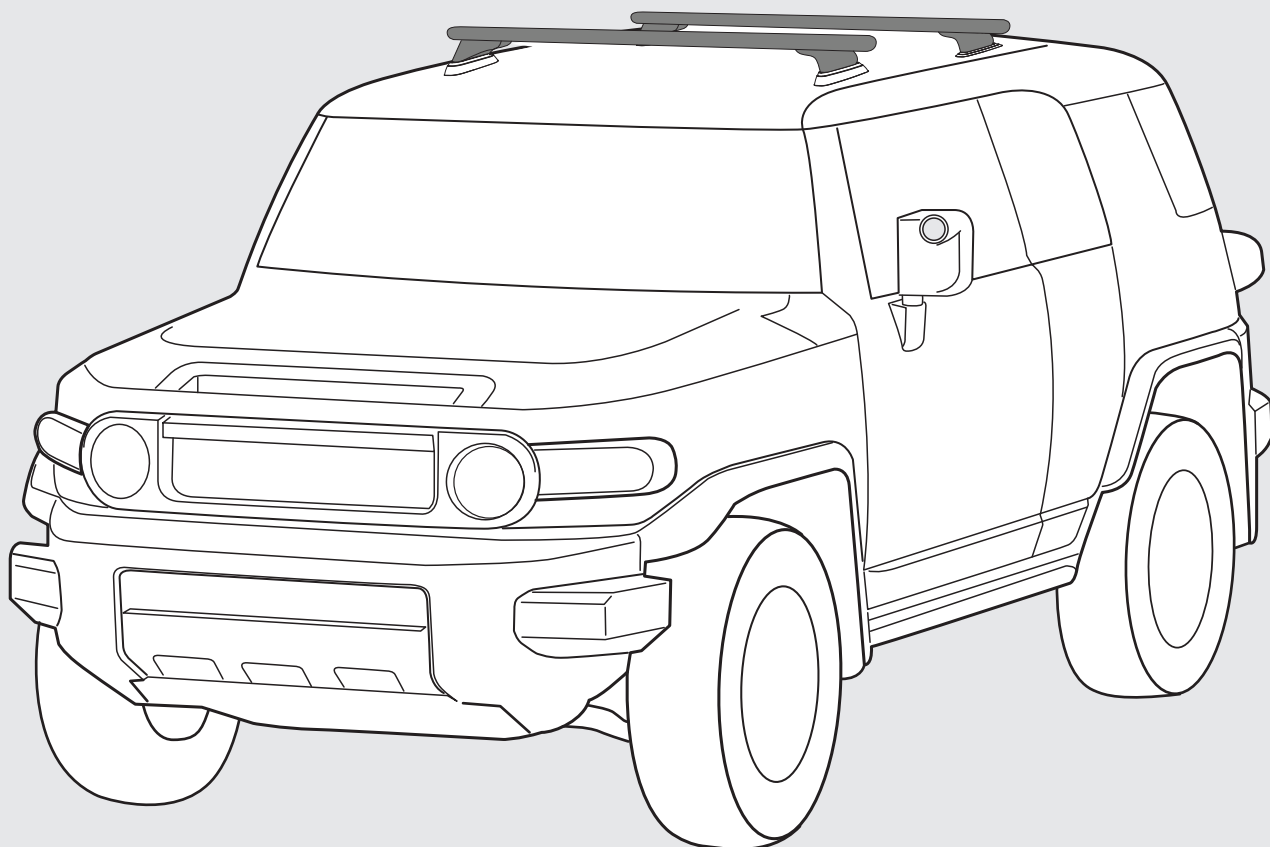
RHINO-RACK

TOYOTA FJ CRUISER PAD KIT

Important:

1. Check the Rhino-Rack website to ensure you have the latest issue of these instructions.
2. Please refer to your fitting instruction to ensure that the roof racks are installed in the correct locations.
3. Check the contents of kit before commencing fitment and report any discrepancies.
4. Place these instructions in the vehicle's glove box after installation is complete.
5. These instructions must be followed for warranty to be upheld.

Fit Time: 45 mins

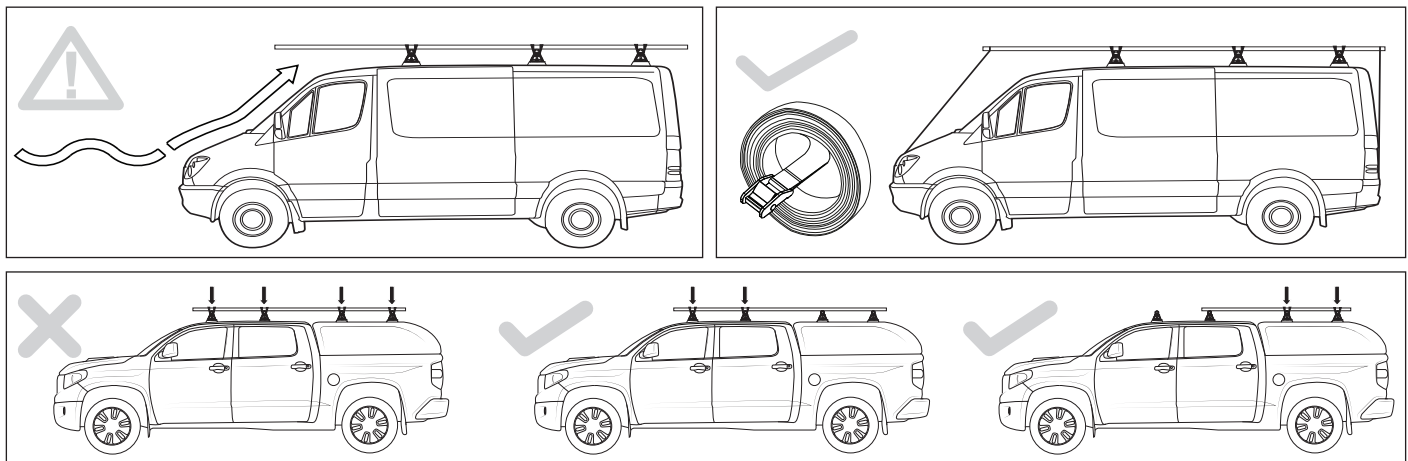


Rhino-Rack,

22A Hanson Pl, Eastern Creek
NSW 2766, Australia
(02) 8846 1900
rhinorack.com.au

Document No: R1290
Issue No: 03
Issue Date: 19/11/2020

RCP25-BK, RCP25R-BK Instructions



ON ROAD CARGO ALLOWANCE (OR)	OFF ROAD CARGO ALLOWANCE (OFR)	VEHICLE ROOF LOAD LIMIT (VLL)	SYSTEM WEIGHT (SW)
$(OR) = (VLL) - (SW)$	$(OFR) = (OR) / 1.5$	Up to 70kg / 154lb (CHECK VEHICLE OWNERS HANDBOOK FOR SPECIFIC FIGURE).	0.5kg / 1lb + Legs + Crossbars/Platform

Carrying Capacity

Check your vehicle owners hand book for vehicle maximum carrying capacity. Please ensure you use the vehicle manufactures maximum roof allowance if it is lower than the figure listed in this instruction.

Load must be evenly distributed over the system.

Off Road: Any driven path taken that does not contain a surface protection layer (tar/bitumen).

Vehicle Load Limit: Total permissible weight attached to the roof of the car. This is inclusive of the weight of the roof rack system.

System Load Limit: Total permissible weight allowed on top, and attached to roof racks whilst the vehicle is in motion.

Torque Settings

Unless stated otherwise in these instructions, all fasteners should be set to the following torque settings - M6: 4-5Nm (3-4lbs/ft), M8: 8-10Nm (6-7.5lbs/ft) and M10: 16-18Nm (12-13lbs/ft).

Warning

- Check part number/ or kit is correct for use with your vehicle.
- Do not attempt to fit the rack system to your vehicle unless you fully understand these fitting instructions. Please direct any questions regarding fitting to the dealer from where the roof racks were purchased.
- Although the system is tested and approved to AS1235-2000 / ISO 11154, off-road conditions can be much more rigorous. Extreme care must be taken in off road conditions.
- Roof racks must be removed when vehicle is put through an automatic car wash.
- With utility vehicles, the cabin and the canopy move independently. Roofracks and vehicle can be damaged if the item transported is rigidly fixed at points on both the cabin and canopy. Instead, rigidly fix to either the cabin roof racks or the canopy roof racks.
- Always ensure you fasten your load securely.
- Use only non-stretch fastening ropes or straps to attach cargo to your load.

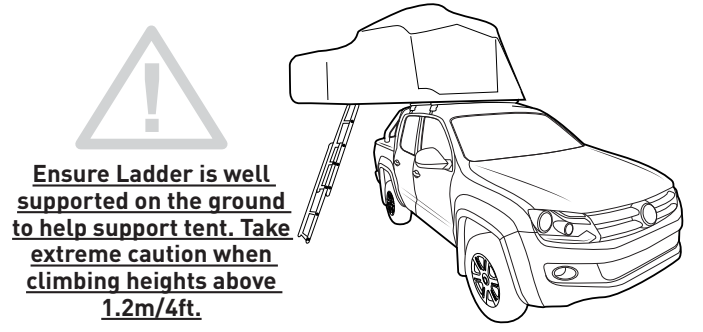
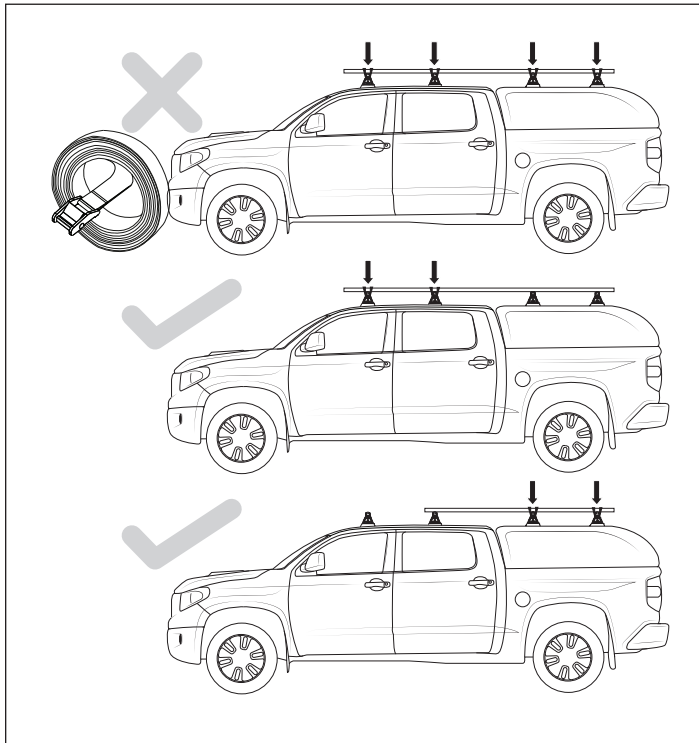
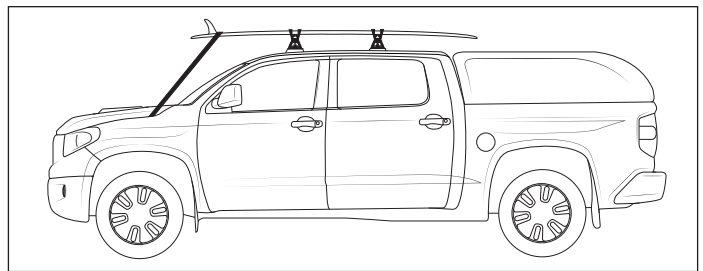
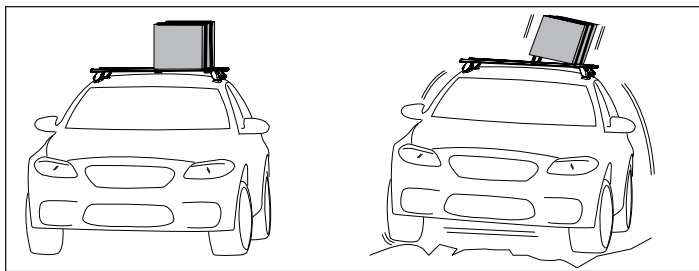
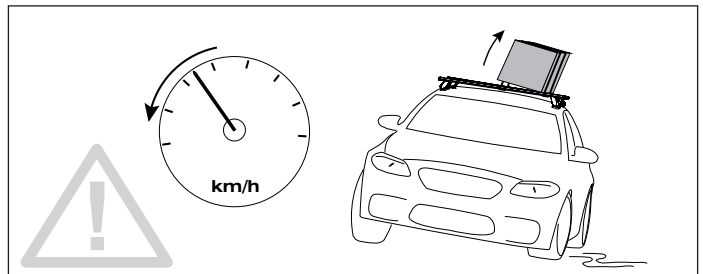
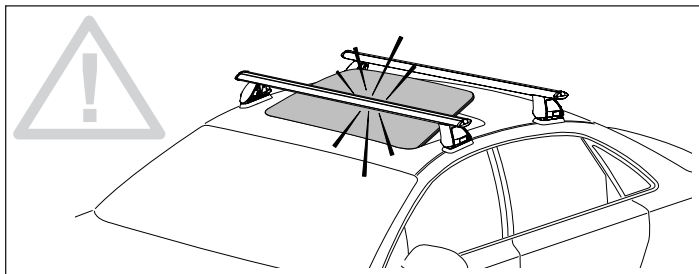
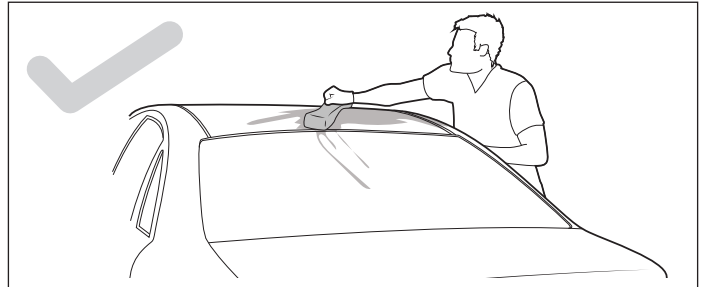
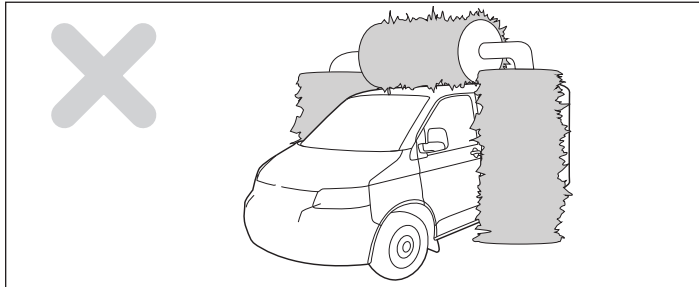
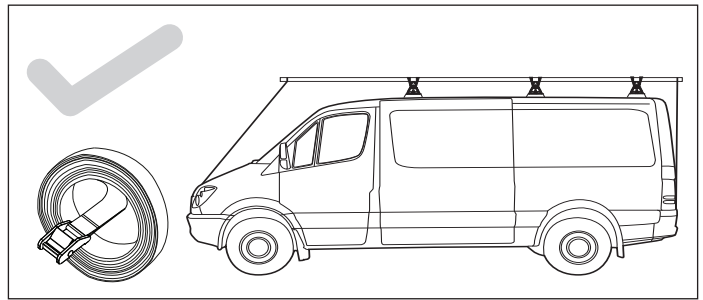
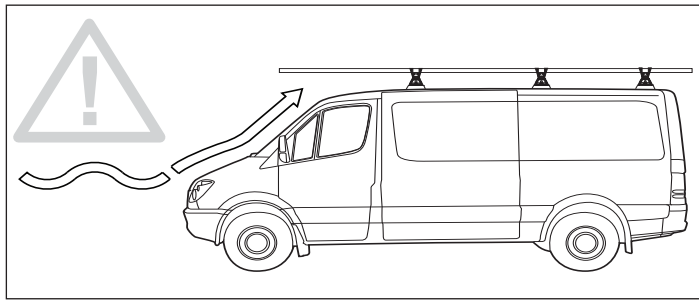
In service maintenance checks

- All bolt connections should be checked after driving a short distance when you first install your roof racks.
- All bolted connections should be checked again at regular intervals (weekly is recommended, depending on road conditions, usage, loads and distances travelled).
- All bolted connections should be checked each time they are re-fitted.

Note for Dealers and Fitters

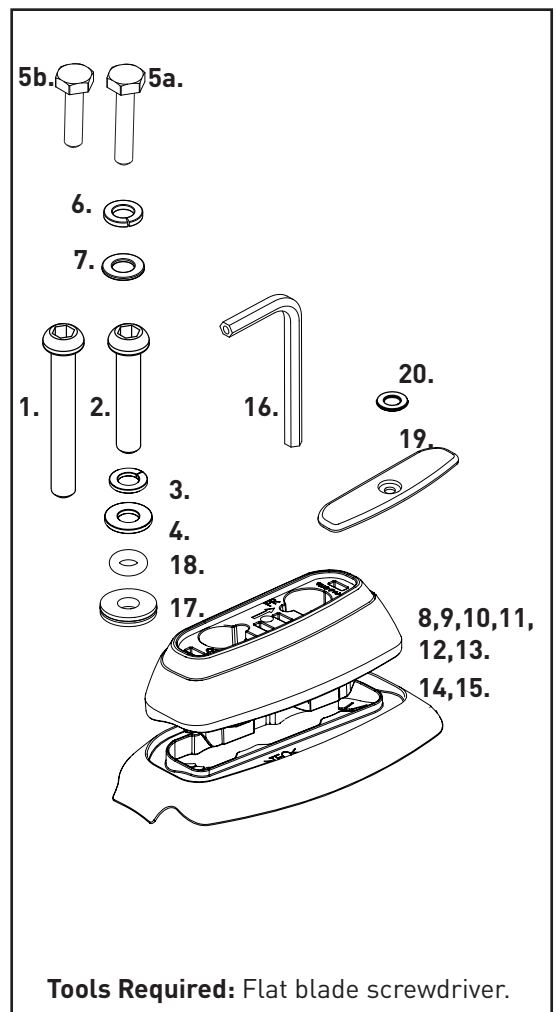
It is your responsibility to ensure these fitting instructions are given to the end user or client. These instructions remain the property of Rhino-Rack Australia Pty. Ltd. and may not be used or changed for any other purpose than intended.

RCP25-BK, RCP25R-BK Instructions



Parts List

Item	Component Name	1 Bar Qty	2 Bar Qty
1	M8 x 40mm Button Screw	4	4
2	M8 x 50mm Button Screw	-	4
3	M8 Spring Washer	4	8
4	M8 Flat Washer	4	8
5a	M6 x 30mm Hex Setscrew	-	4
5b	M6 x 20mm Hex Setscrew	2	-
6	M6 Spring Washer	2	4
7	M6 x 16mm Flat Washer	2	4
8	Front RIGHT Mount Pad	-	1
9	Front LEFT Mount Pad	-	1
10	Middle RIGHT Mount Pad	-	1
11	Middle LEFT Mount Pad	-	1
12	Rear RIGHT Mount Pad	1	-
13	Rear LEFT Mount Pad	1	-
14	LEFT Pad Mount Skirt	1	2
15	RIGHT Pad Mount Skirt	1	2
16	5mm Hex Allen Key	-	1
17	Sealing Plate with Gaskets	4	8
18	O-ring	4	8
19	Pad Cover Plate	2	4
20	M6 x 12.5mm Washer (used on cover plate)	2	4
21	R1290 Instruction	1	1



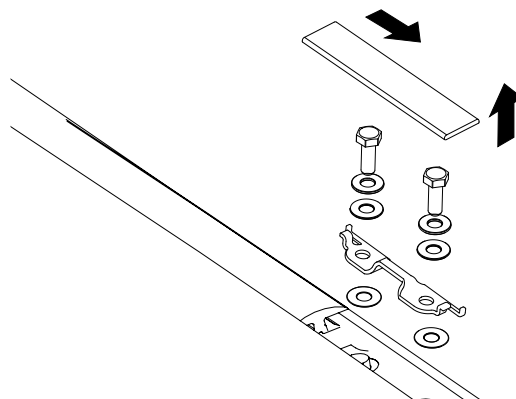
Instructions

1

Remove all brackets, bolts and washers using a 10mm socket.

Store the covers and attachment hardware for future use if needed.

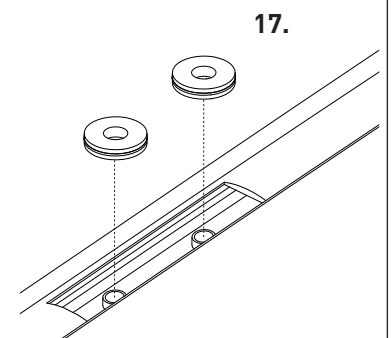
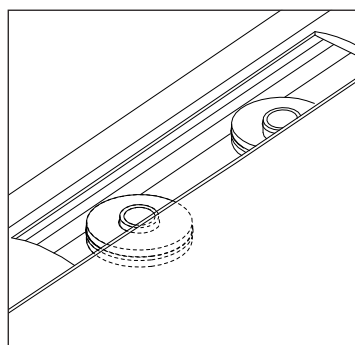
NOTE: The existing bolts and washers are not used to fit the roof rack mounting pads.



2

Place the foam covered copper washers over the plastic tubes in the roof channel. Make sure they are fitted neatly around the plastic tubes.

NOTE: Failure to fit the foam covered copper washers will result in water leaks.

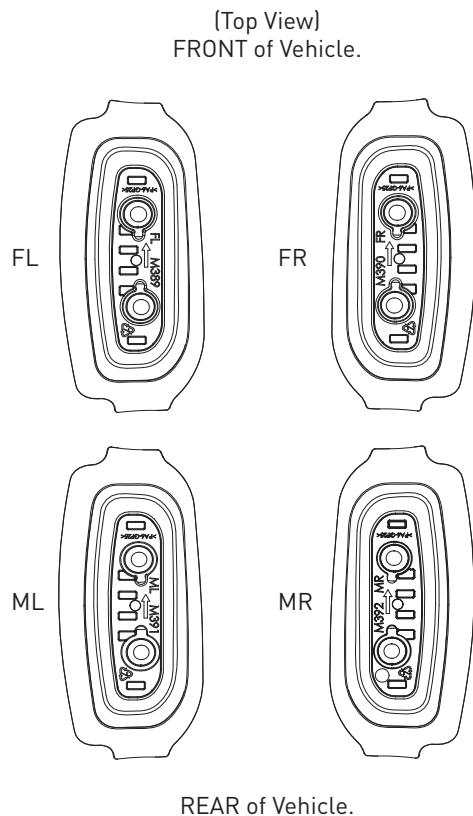
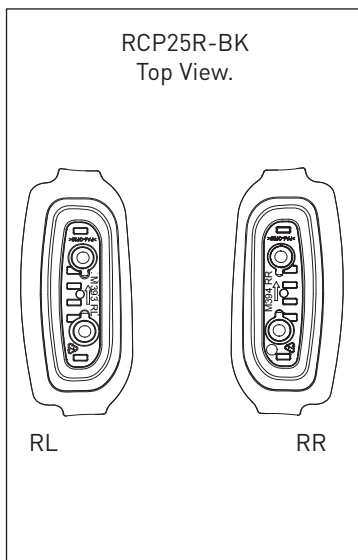
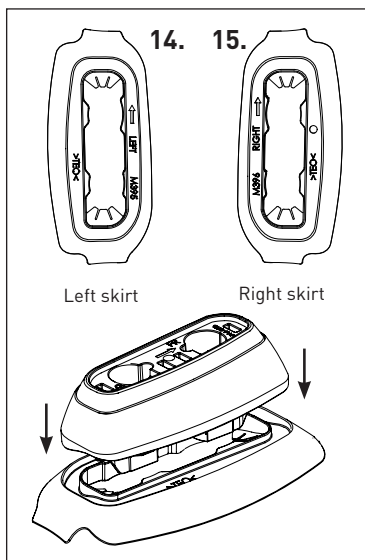


RCP25-BK, RCP25R-BK Instructions

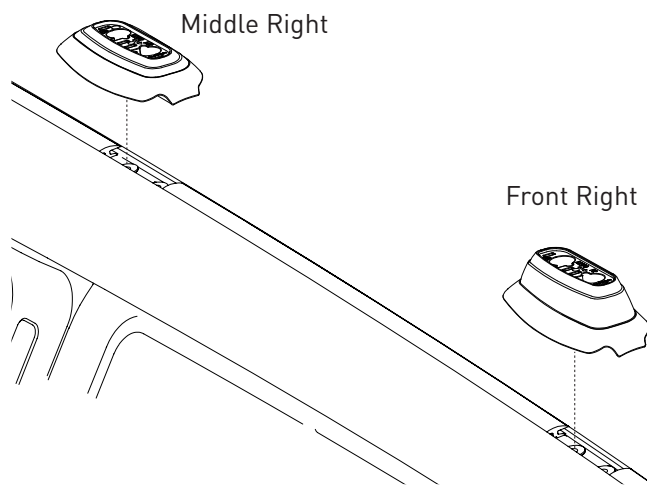
3 Fit RIGHT rubber skirt to pads marked FR, MR.
Fit LEFT rubber skirt to pads marked FL, ML.

FR = Front Right. FL = Front Left.
MR = Middle Right. ML = Middle Left.






NOTE: Arrows on top of parts must point towards front of vehicle when correctly installed.

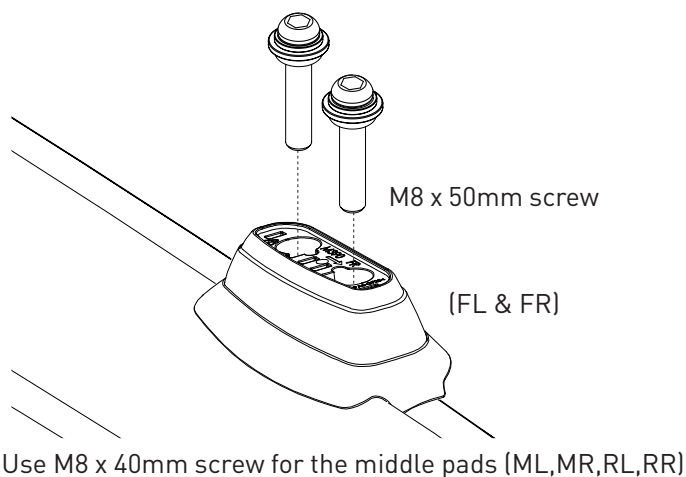


4 Place each pad into its position as stated in the previous step.
Check to make sure the rubber skirt does NOT fold or twist when placed on the roof. It must flare out over surface of the roof.



5 Assemble M8 screws, washers and O-ring in the order shown. Push the O-ring up against the washers before locating into mounting pad. Finger tighten each pad first to ensure all parts are seated correctly.

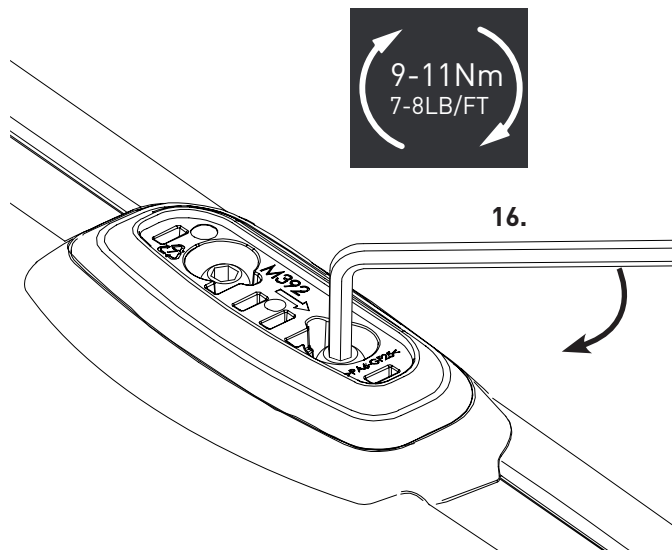
- | | | |
|-------------------------------|------------|---|
| M8 x 50mm screw (FL & FR) | 2. |  |
| M8 x 40mm screw (ML,MR,RL,RR) | 1. |  |
| M8 spring washer. | 3. |  |
| M8 flat washer. | 4. |  |
| 7mm x 4mm O-ring | 18. |  |



RCP25-BK, RCP25R-BK Instructions

6 Tighten all M8 screws using the 5mm allen key supplied.

DO NOT OVER TIGHTEN.

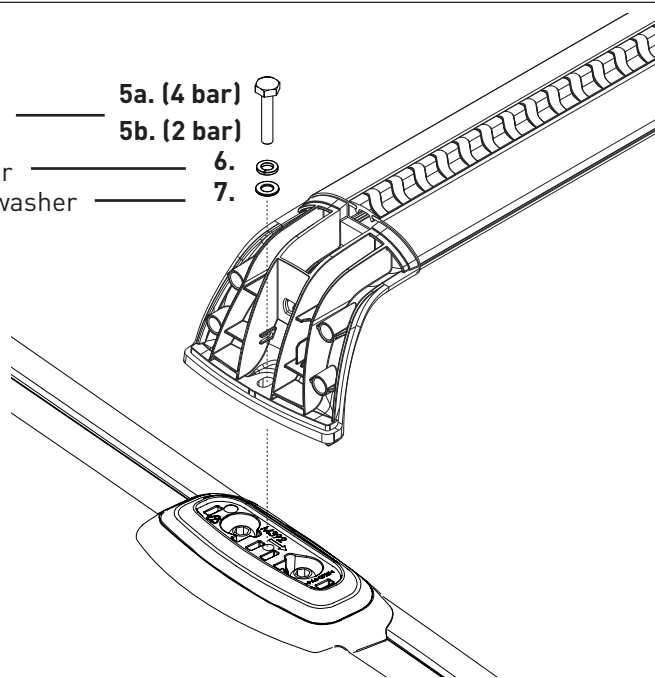


7 Sit the cross bars in position. Assemble the M6 screw and washers in the order shown. Place the M6 screw/washer assembly through the leg and fasten to the mounting pad.

Tighten the M6 screws.
Recommended tightening torque 3-4 Nm.

RVL shown as example only.

- M6 hex setscrew ——— 5a. (4 bar)
- 5b. (2 bar)
- M6 spring washer ——— 6.
- M6 x 16mm flat washer ——— 7.



8 When crossbars are not in use, install the pad mount cover plates as shown.

