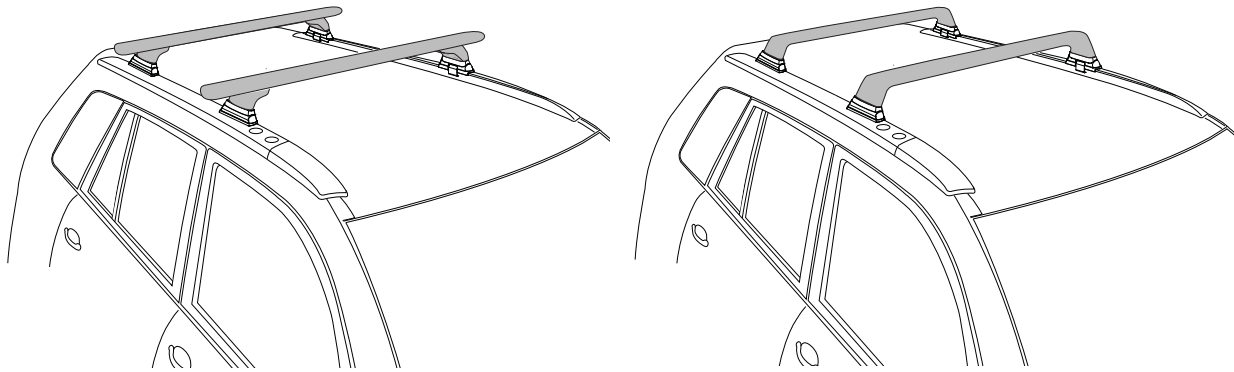


CONTROLLED

RHINO-RACK

RCP12-BK SUZUKI Grand Vitara 4 Door

Important: Please read these instructions carefully prior to installation.
Please refer to your fitting instruction to ensure that the roof racks are installed in the correct locations.
Check the contents of kit before commencing fitment and report any discrepancies



Note: Crossbars and legs sold as separate.

Important Information.

1. Check Part No./Kit is correct
2. Read through instruction before installing
3. Fit roof rack accessory
4. Check and recheck all fasteners are secure

Note: Be sure to check the Rhino-Rack website to see if you have the latest version of instructions before beginning installation. **Maximum carrying capacity: 50kg evenly distributed over the two cross bars.**

Recommendations:

It is essential that all bolt connections be checked after driving a short distance when you first install your cross bars. Bolt connections should be checked again at regular intervals (probably once a week is enough, depending on road conditions, usage, loads and distances travelled). You should also check the cross bars each time they are refitted.

Make sure to fasten your load securely. Please ensure that all loads are evenly distributed and that the centre of gravity is kept as low as possible. **Use only non-stretch fastening ropes or straps.**

Sensitivity to cross winds, behaviour in curves and braking.

The handling characteristics of the vehicle, changes when you transport a load on the roof. For safety reasons, we recommend you exercise extreme care when transporting wind-resisting loads; special consideration must be taken into account when braking. **Please remove cross bars when putting vehicle through an automatic car wash.**

Load rating.

Maximum permissible load is 50kg per pair of cross bars (include the weight of the roof racks, 5kg). When cross bars are to be used in off-road conditions, please build a safety factor of 1.5 into this load limit. (33kg for off-road use). Although the roof racks are tested and approved to AS1235-2000, Australian road conditions can be much more rigorous. However, increasing the number of cross bars does not increase the vehicles maximum permissible roof loading.

Note for Dealers and Fitters

It is your responsibility to ensure instructions are given to the end user or client

Rhino-Rack

3 Pike Street, Rydalmere,

NSW 2116, Australia.

(Ph) (02) 9638 4744

(Fax) (02) 9638 4822

Document No: R1287

Prepared By: Kayle Everett

Authorised By: Chris Murty

Fit Time: 15min

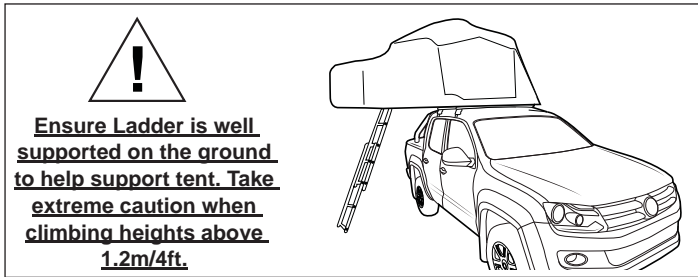
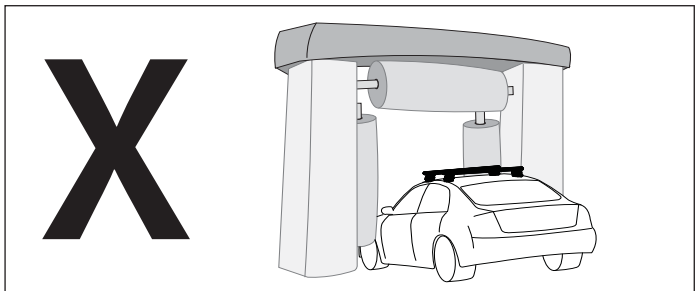
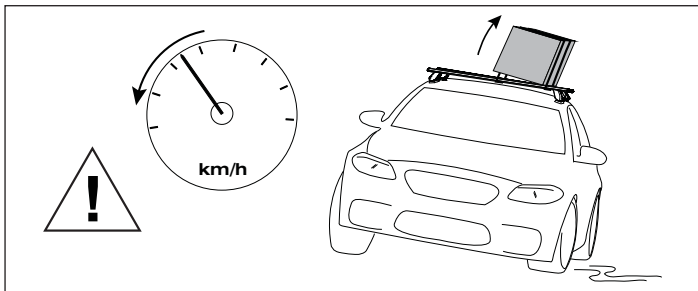
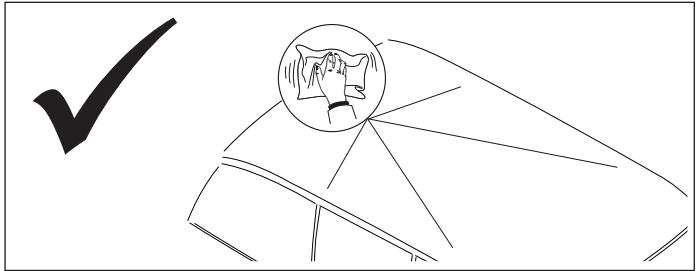
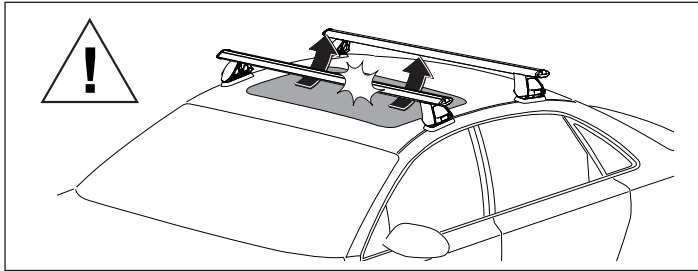
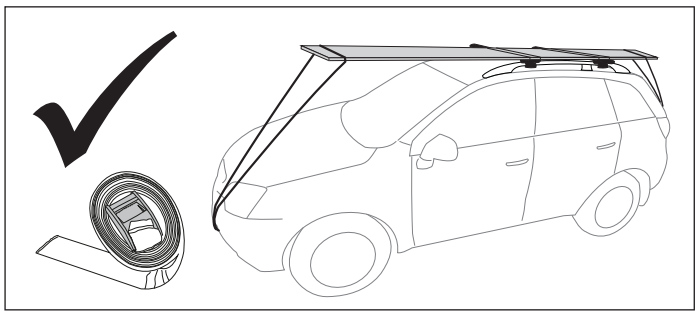
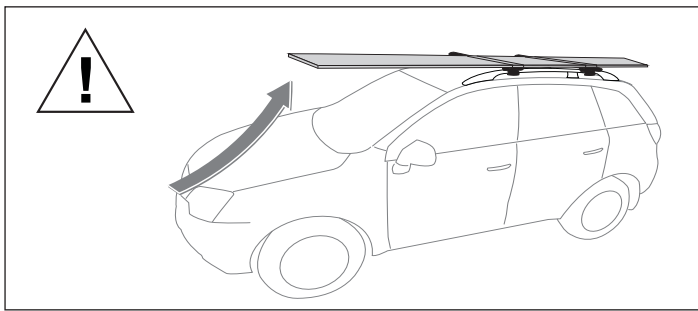
Issue No: 01

Issue Date: 03/03/2017

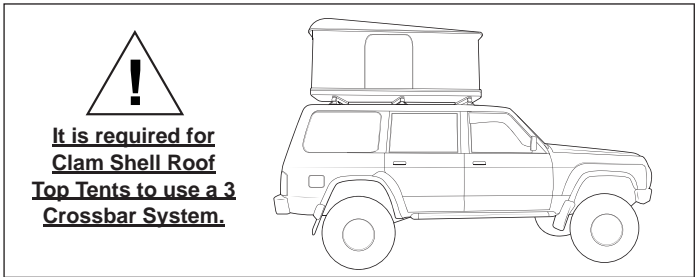
These instructions remain the property of Rhino Rack Australia Pty. Ltd. and may not be used or changed for any other purpose than intended.



RCP12-BK SUZUKI Grand Vitara 4 Door

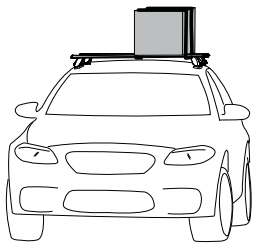


Ensure Ladder is well supported on the ground to help support tent. Take extreme caution when climbing heights above 1.2m/4ft.

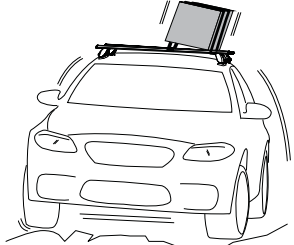


It is required for Clam Shell Roof Top Tents to use a 3 Crossbar System.

When these roof racks are to be used on a vehicle that is driven off sealed roads the maximum load rating must be divided by 1.5. Remember to subtract the weight of the roof racks to determine your maximum permissible load capacity.



2 bars 50kg (110lbs) load rating (Urban road) = **2 bars 33kg (72lbs) load rating (Off road)**
Load rating not taking into account crossbar weight - 5kg



WARNING! Important Load Carrying Instructions

With utility vehicles, the cabin and the canopy move independently. Roof racks and vehicle can be damaged if the item transported is rigidly fixed at points on both the cabin and canopy. Instead, rigidly fix to either the cabin roof racks or the canopy roof racks.

Paddle/ Surfboards should be fixed to the front of the vehicle.



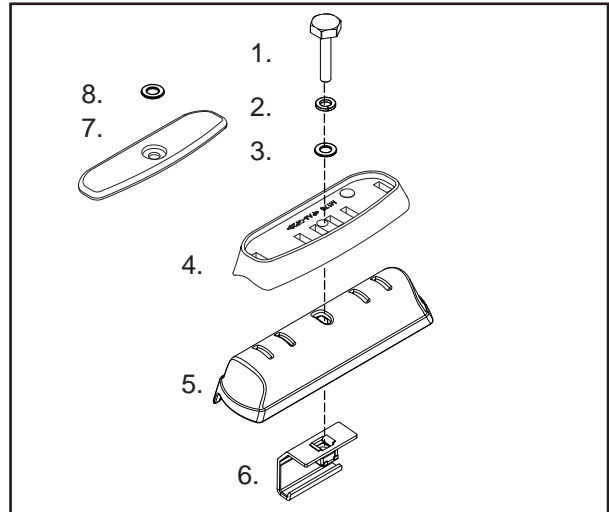
RCP12-BK SUZUKI Grand Vitara 4 Door

Parts List

| Item | Component Name | Qty | Part No. |
|------|---------------------------------|-----|----------|
| 1 | M6 x 40 Hex Setscrew | 4 | B106 |
| 2 | M6 Spring Washer | 4 | W004 |
| 3 | M6 x 16mm Flat Washer | 4 | W031 |
| 4 | Top Pad | 4 | M173 |
| 5 | Bottom Pad | 4 | M258 |
| 6 | Vitara Leg Strap with Cage Nut | 4 | C572 |
| 7 | Pad Cover Plate | 4 | M126 |
| 8 | M6 Washer (used on cover plate) | 4 | W003 |
| 9 | Fitting Instruction | 1 | R1287 |

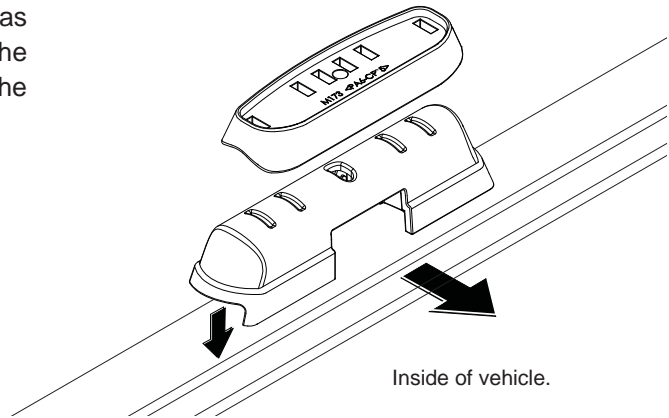
Tools Required;

Tape Measure. 10mm socket wrench

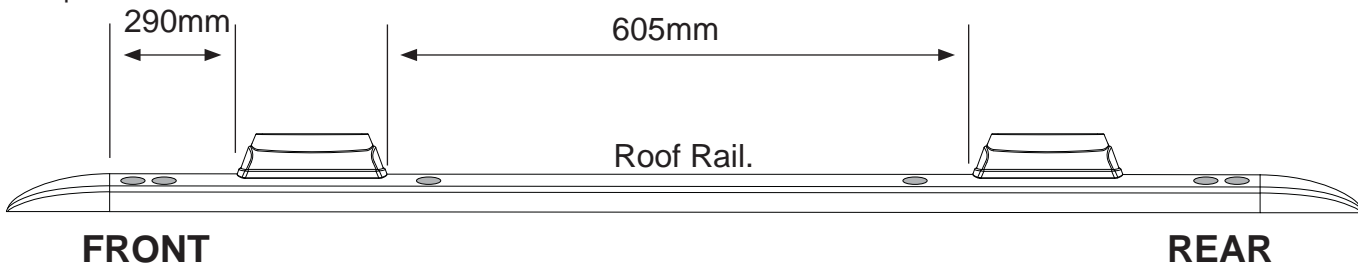


Instructions

- 1** Place the pads and bases in the correct orientation as shown on the vehicle. The large cut out and lip of the bottom pad sit over the inside edge of the roof rail. The four top and bottom pads are identical.



- 2** Place the base pads on the roof rail at 290mm from the front join on the roof rail then 605mm between the pads.



- 3** Place your crossbars onto the pads. Place the stainless strap into the inside gap of the base pad. Insert the M6 x 40 bolt and washer assembly through the leg and fasten. **Recheck measurements from step 2 and tighten the crossbars in place (3-4Nm).**

