



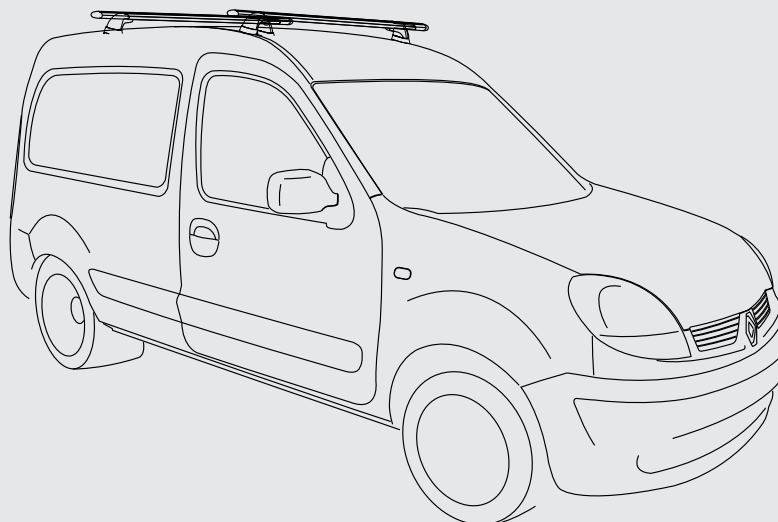
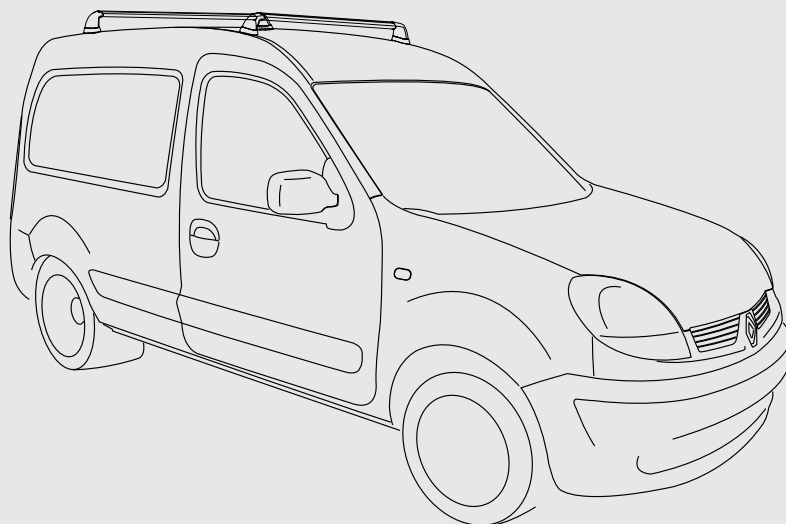
# RHINO-RACK

## RCP08-BK Base Kit, VW Caddy, VW Caddy Maxi. Renault Kangoo

### Important:

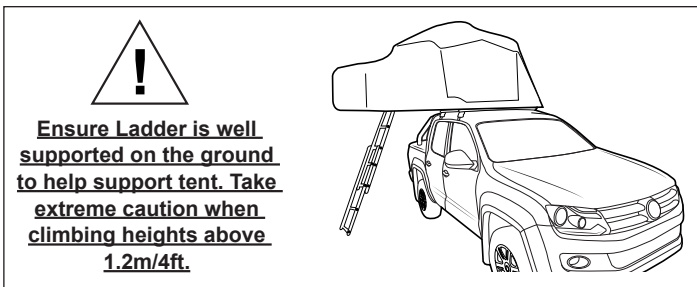
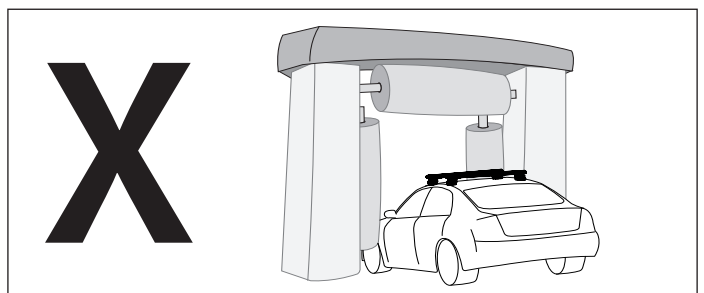
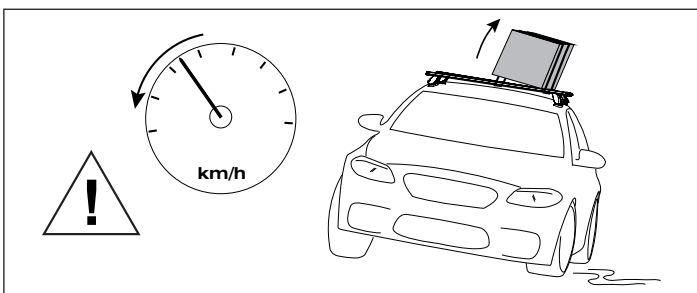
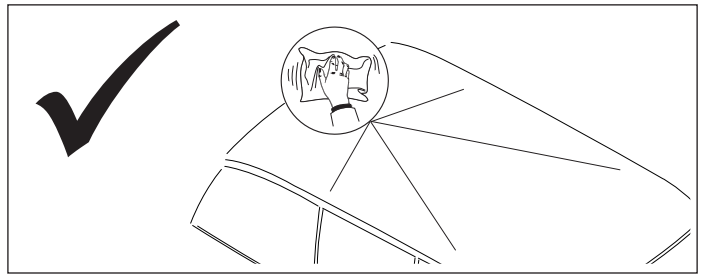
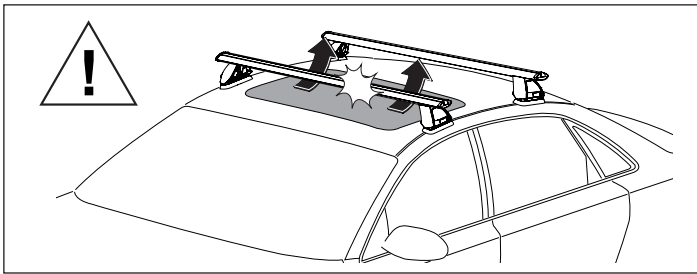
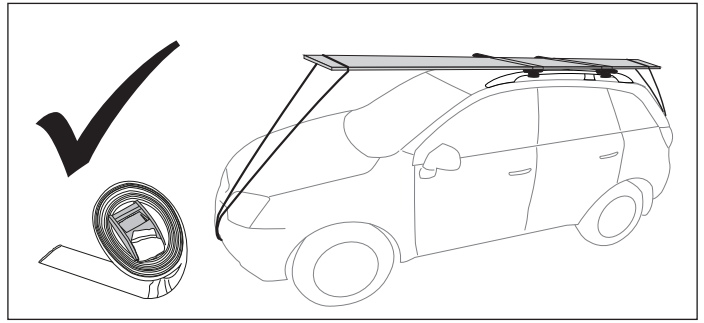
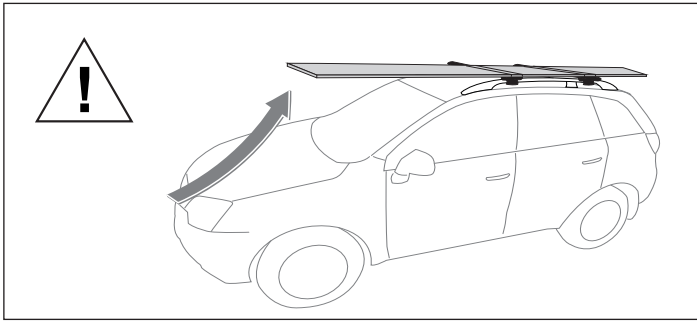
1. Check the Rhino-Rack website to ensure you have the latest issue of these instructions.
2. Please refer to your fitting instruction to ensure that the roof racks are installed in the correct locations.
3. Check the contents of kit before commencing fitment and report any discrepancies.
4. Place these instructions in the vehicle's glove box after installation is complete.
5. These instructions must be followed for warranty to be upheld.

**Fit Time:** 30 minutes

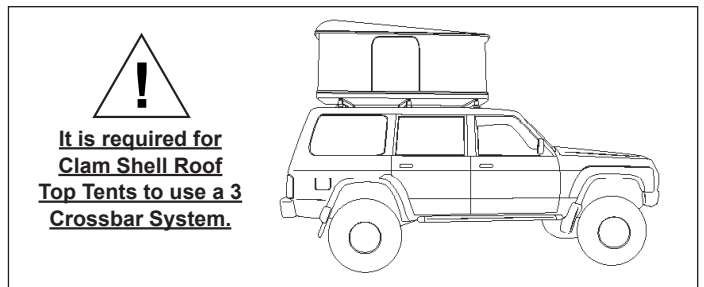




# RCP08-BK Base Kit, VW Caddy, VW Caddy Maxi. Renault Kangoo

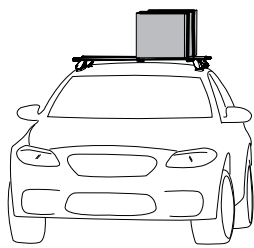


**Ensure Ladder is well supported on the ground to help support tent. Take extreme caution when climbing heights above 1.2m/4ft.**



**It is required for Clam Shell Roof Top Tents to use a 3 Crossbar System.**

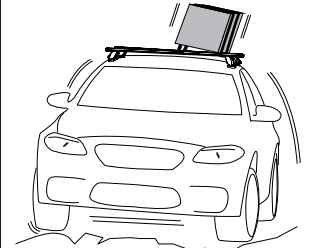
When these roof racks are to be used on a vehicle that is driven off sealed roads the maximum load rating must be divided by 1.5. Remember to subtract the weight of the roof racks to determine your maximum permissible load capacity.



**VW Cadi/Maxi**  
**100kg (220lbs)**  
**load rating (Urban road)**  
**67kg/147lbs (Off road)**

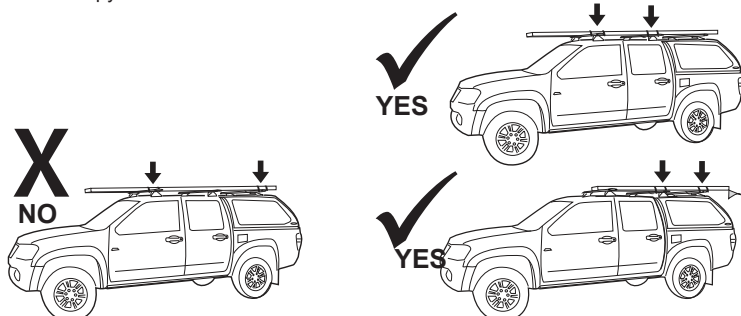
**Load rating not taking into account crossbar weight - 5kg**

**Renault Kangoo**  
**80kg (176lbs)**  
**load rating (Urban road)**  
**53kg/116lbs (Off road)**

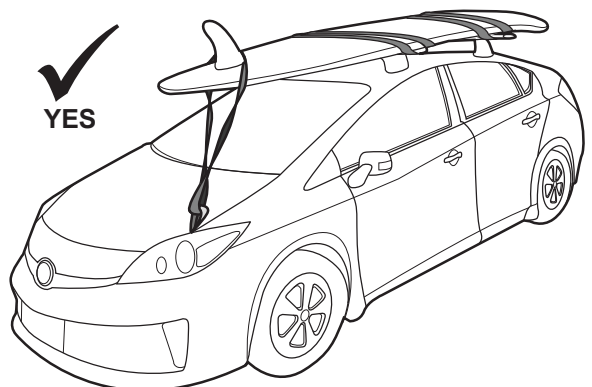


## WARNING! Important Load Carrying Instructions

With utility vehicles, the cabin and the canopy move independently. Roofracks and vehicle can be damaged if the item transported is rigidly fixed at points on both the cabin and canopy. Instead, rigidly fix to either the cabin roofracks or the canopy roofracks.



Paddle/ Surfboards should be fixed to the front of the vehicle.

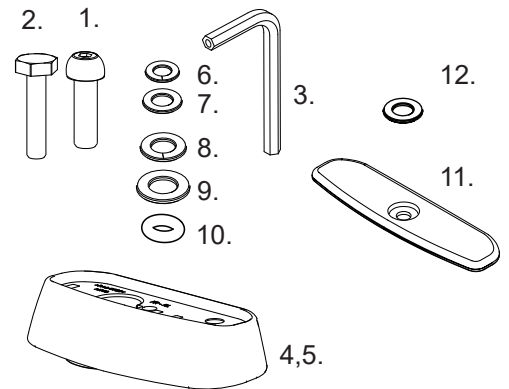




# RCP08-BK Base Kit, VW Caddy, VW Caddy Maxi. Renault Kangoo

## Parts List

Item	Component Name	1 Bar	2 Bar
1	M8 x 25mm Button Head Bolt	2	4
2	M6 x 30mm Hex Setscrew	2	4
3	6mm Security Allen Key	1	1
4	VW Caddy Front LH/Rear RH Pad	1	2
5	VW Caddy Front RH/Rear LH Pad	1	2
6	M6 Spring Washer	2	4
7	M6 x 16mm Flat Washer	2	4
8	M8 Spring Washer	2	4
9	M8 Flat Washer	2	4
10	O-Ring	2	4
11	Mount Pad Cover Plate	2	4
12	M6 Washer (used on cover plate)	2	4
13	Instructions	1	1

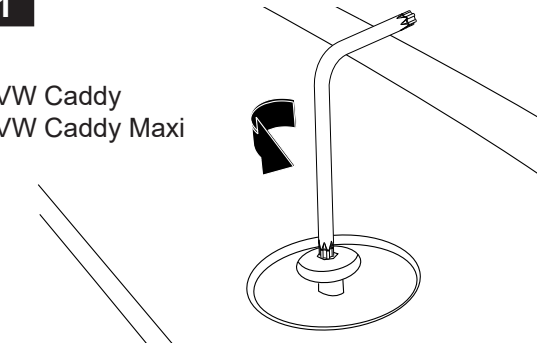


**Tool Required:** Allen Key (provided). Phillips Head Screwdriver. Torx T27 Key.

## Instructions

**1**

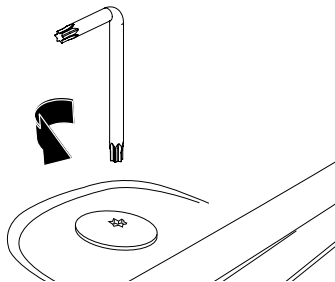
VW Caddy  
VW Caddy Maxi



### VW Caddy/Caddy Maxi

Remove the roof plugs using Torque Security key provided. Store the screws for replacement when racks are removed.

Renault Kangoo  
Nissan Kubistar



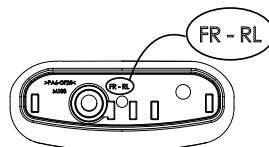
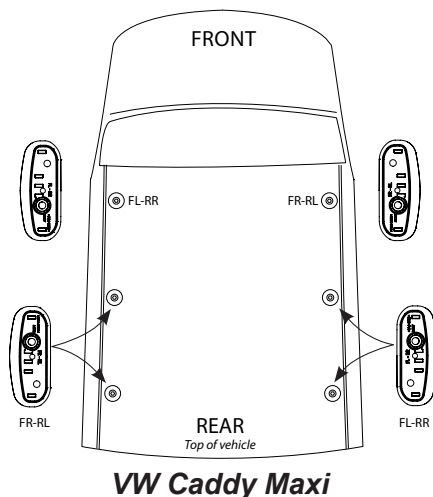
### Renault Kangoo

Remove the roof plugs using Torques drive. Store the screws for replacement when racks are removed.

**2**

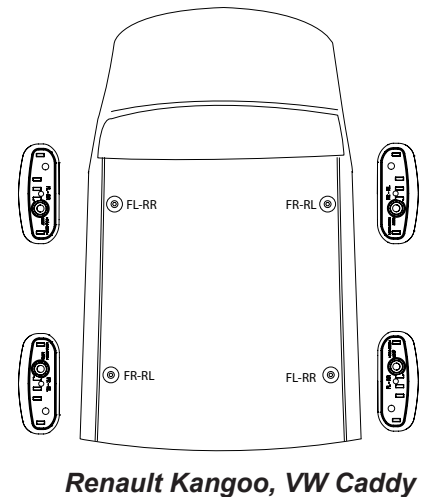
### Roof pad orientation 2 bar system.

The top surface of the pads have FR-RL and FL-RR marked on them.



FR - RL = Front Right.  
FR - RL = Rear Left.  
FL - RR = Front Left.  
FL - RR = Rear Right.

**VW Caddy Maxi:** When fitting a 2 bar system use FRONT mount point and either MIDDLE or REAR mount point. This depends on length of load being carried.





## RCP08-BK Base Kit, VW Caddy, VW Caddy Maxi. Renault Kangoo

**3**

M8 x 25mm bolt

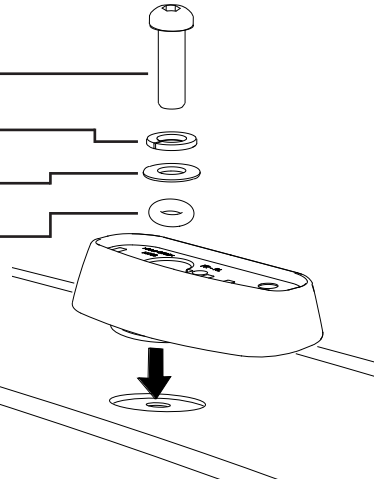
M8 spring washer

M8 flat washer

O-Ring

outside of vehicle.

Front Right



### Fit pads to roof.

Insert the M8 bolt, washer & O-Ring assembly through the pad. Fasten to the roof using the allen key provided.

**Do not fully tighten at this stage.**

**4**

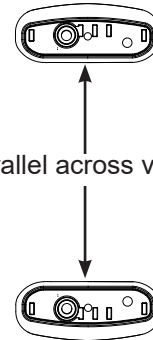
### Align pads.

Before tightening make sure the opposing pads are parallel across the vehicle.

Tighten roof pads to 4-5 Nm.

With pads in place, fix crossbars using the M6 hardware provided.

Parallel across vehicle.



**5**

When crossbars are not in use, install the mount cover plates as shown.

