

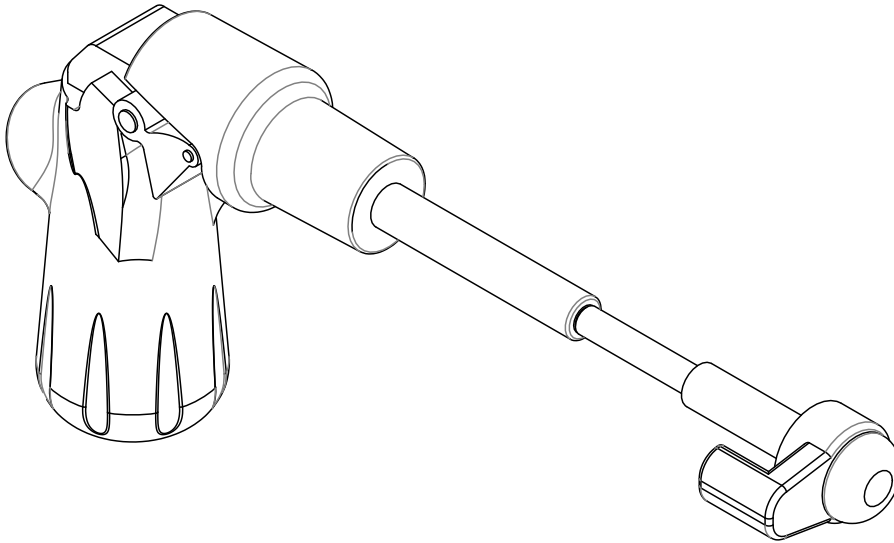


RHINO-RACK

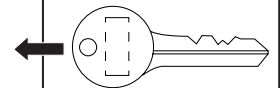
Rhino-Rack Quick Release Locking Skewer (RBCA022)

Important: Please read these instructions carefully prior to installation. Please refer to your fitting instruction to ensure that the bike rack is installed in the correct locations. Check the contents of kit before commencing fitment and report any discrepancies. Place these instructions in the vehicle's glove box after installation is complete.

Layout



Record your key number here
for future reference, in case of
misplaced or lost keys



Important Information

Maximum carrying capacity:

15kg (33lbs). Load must be evenly distributed over the crossbars. Please refer to your vehicle manufacturers handbook for maximum carrying capacity. Always use the lower of the two figures. Load must be evenly distributed over the crossbars.

Locks are only a deterrent. Please exercise care when protecting your items from theft.

Recommendations:

All bolt connections must be checked after driving a short distance when you first install your roof racks. Bolt connections should be checked again at regular intervals (every 1000km or depending on road conditions, usage, loads and distances travelled). You should also check the condition of your roof racks each time they are re-fitted. Always make sure to fasten your load securely. Please also ensure that all loads are evenly distributed and that the centre of gravity is kept as low as possible. Remove any wind resisting loads before travelling. Remove kids bike seats

Roof racks must be removed when putting vehicle through an automatic car wash.

Caution: The handling characteristics of the vehicle changes when you transport a load on the roof. For safety reasons we recommend you exercise extreme care when transporting wind-resistant loads. Special consideration must be taken into account when cornering and braking. **Please remove bike rack when putting vehicle through an automatic car wash.**

Note for Dealers and Fitters

It is your responsibility to ensure this fitting instruction is given to the end user or client. Place these instructions in the vehicle's glove box after installation is complete.

Rhino-Rack
3 Pike Street, Rydalmere,
NSW 2116, Australia.
(Ph) (02) 9638 4744
(Fax) (02) 9638 4822

Document No: R196
Prepared By: Andy Wana
Authorised By: Chris Murty

Issue No: 01
Issue Date: 09/05/2012

These instructions remain the property of Rhino-Rack Australia Pty Ltd and may not be used or changed for any other purpose than intended.

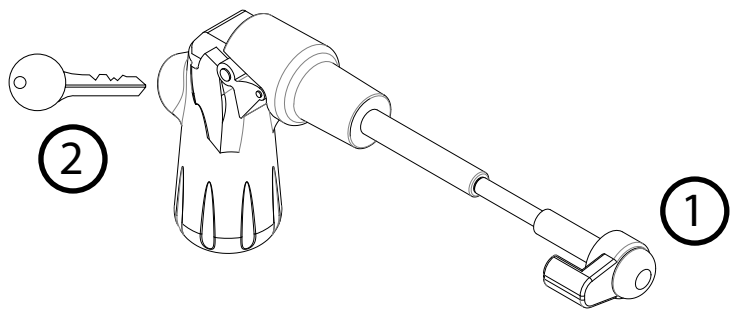


Rhino-Rack Quick Release Locking Skewer (RBCA022)

Parts List

Item	Component Name	Qty	Part No
1	Quick Release Skewer	1	CA1060
2	Quick Release Locking Key and Barrell	1	CA1069
3	Fitting Instruction	1	R196

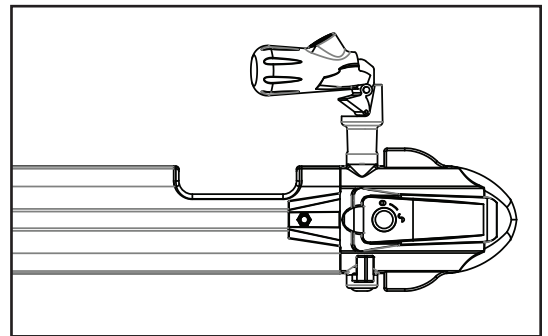
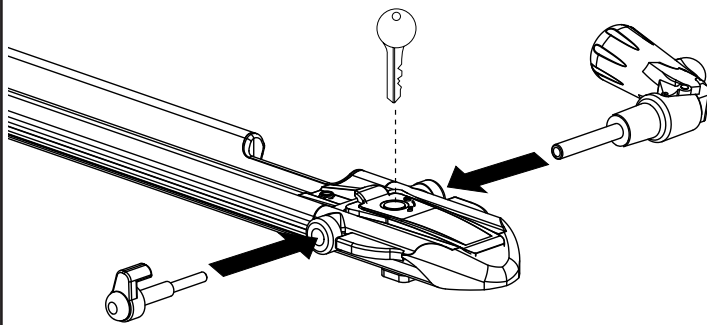
Compatible with:
Rhino SQR, Rhino SQR-S



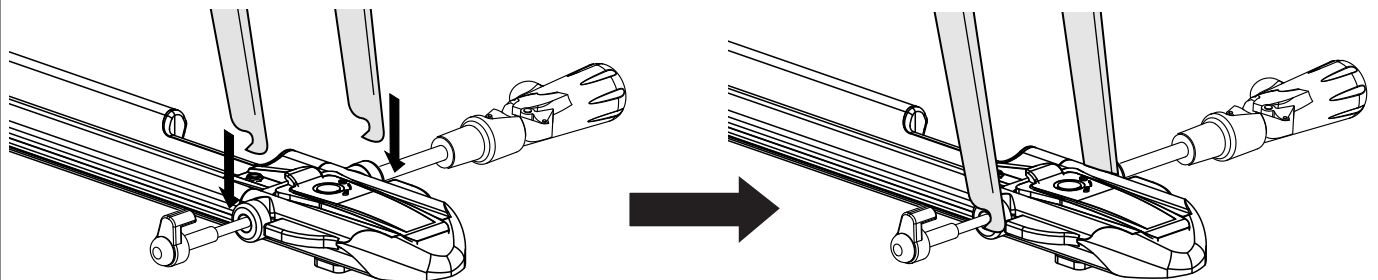
Instructions

1 Loading a bicycle (Shown here being used on Rhino Road Warrior Bike Carrier RBC036):

Unthread the Quick Release Skewer, and install into the head by threading together inside. Handle faces towards the outside of the car. Re-install the cover plate. If locks have been purchased or provided, the cover can now be locked.



2 Open the handle of the quick release so the black handle is straight and the fixed end points down. Load the fork onto the quick release so both fork ends are resting straight on the quick release.



3 Twist handle clockwise to tighten the quick release skewer. Close the handle by flipping it 90 degrees to the closed position. If it is too loose, open the handle and turn it like a screwdriver (clockwise to tighten, counter clockwise to loosen), and close the handle again. Re-adjust until a firm and positive snap is felt when closed.

