

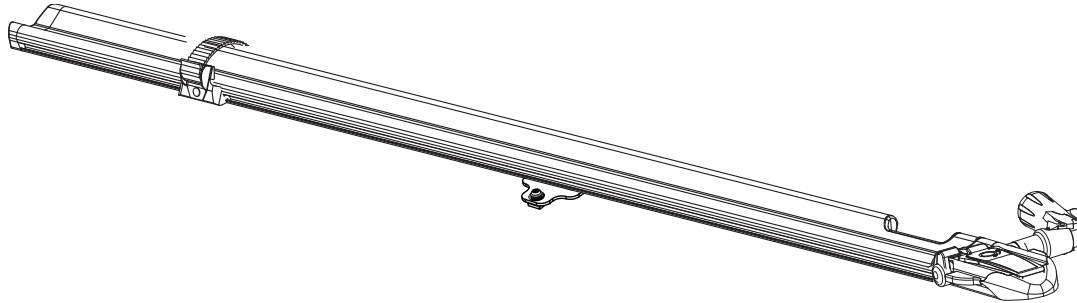


RHINO-RACK

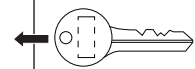
Rhino-Rack Road Warrior Bike Carrier (RBC036)

Important: Please read these instructions carefully prior to installation. Please refer to your fitting instruction to ensure that the bike rack is installed in the correct locations. Check the contents of kit before commencing fitment and report any discrepancies. Place these instructions in the vehicle's glove box after installation is complete.

Layout



Record your key number here for future reference, in case of misplaced or lost keys



Maximum carrying capacity:

On Road Cargo Allowance	Off Road Cargo Allowance
15kg / 33lb	10kg / 22lb

Off Road: Any driven path taken that is not on sealed (tarred/ bitumen) and maintained road
Roof Allowance: Total permissible weight attached to the roof of the car. This is inclusive of the weight of the roof rack system. Please refer to your vehicle manufacturers handbook for maximum carrying capacity. Always use the lower of the two figures. Load must be evenly distributed over the entire Pioneer. Weight of roof rack accessories is to be included in cargo allowance.

Torque settings

Unless stated otherwise in these instructions, all fasteners should be set to the following torque settings - M6: 4-5Nm (3-4lbs/ft), M8: 8-10Nm (6-7.5lbs/ft) and M10: 16-18Nm (12-13lbs/ft).

Warning:

- Check Part No. and/ or Kit is correct for use with your vehicle
- Do not attempt to fit the rack system to your vehicle unless you fully understand these fitting instructions. Please direct any questions regarding fitting to the dealer from where the roof racks were purchased.
- **Use only non-stretch fastening ropes or straps.**
- The handling characteristics of the vehicle changes when you transport a load on the roof. For safety reasons we recommend you exercise extreme care when transporting wind-resistant loads. Special consideration must be taken into account when cornering and braking.
- Although the system is tested and approved to AS1235-2000 / ISO 11154, off-road conditions can be much more rigorous. Extreme care must be taken in off road conditions

Recommendations:

It is essential that all bolt connections be checked after driving a short distance when you first install your roof racks. Bolt connections should be checked again at regular intervals (once a week is enough, depending on road conditions, usage, loads and distances travelled). You should also check the roof racks each time they are re-fitted. Always make sure to fasten your load securely. Please also ensure that all loads are evenly distributed and that the centre of gravity is kept as low as possible and must be entirely contained within the extents of the roof racks.

Note for Dealers and Fitters:

It is your responsibility to ensure these fitting instructions are given to the end user or client

Rhino-Rack, 22 Hanson Pl, Eastern Creek
 NSW 2766, Australia
 (02) 8846 1900
 rhinorack.com.au

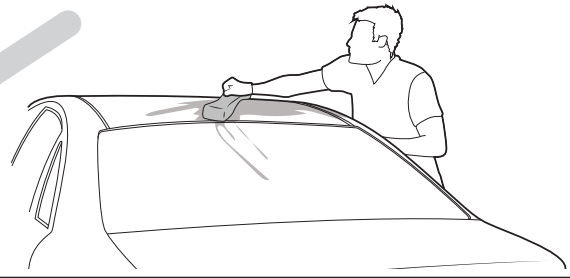
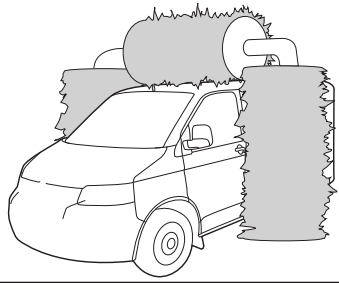
Document No: R195
 Prepared By: KE
 Authorised By: NC

Issue No: 10
 Issue Date: 05/04/2019

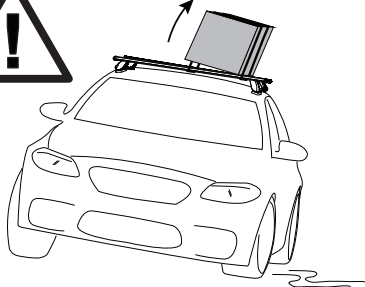
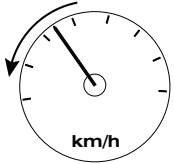
These instructions remain the property of Rhino-Rack Australia Pty. Ltd. and may not be used or changed for any other purpose than intended.



Rhino-Rack Road Warrior Bike Carrier (RBC036)



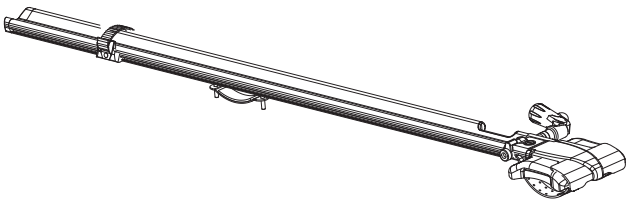
110km/h MAX.



15kg / 33lbs MAX

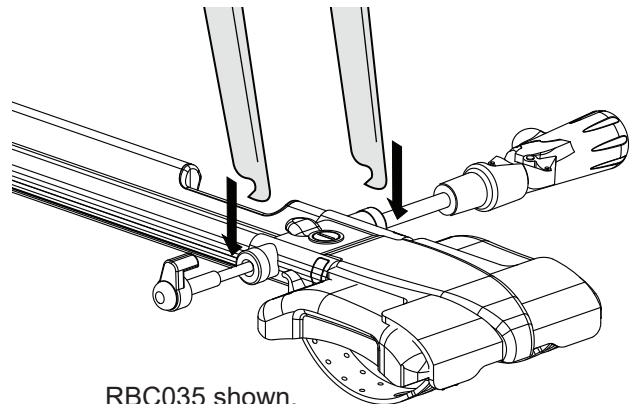


2.5kg / 5.5 lbs



Note:

Forks equipped with carbon fibre dropouts or forks without safety tabs are not covered under warranty. Do not use with this bike carrier.



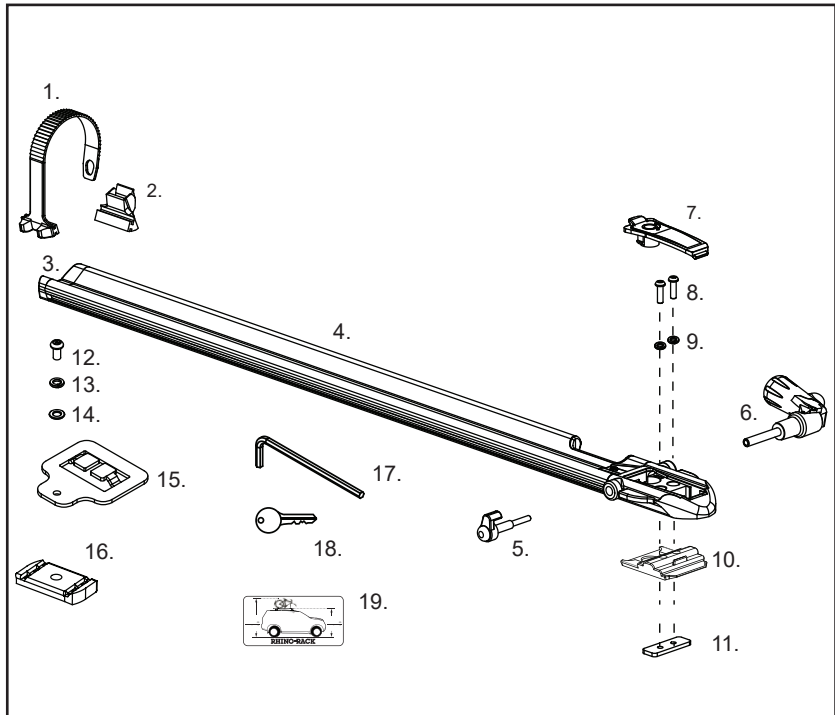
RBC035 shown.



Rhino-Rack Road Warrior Bike Carrier (RBC036)

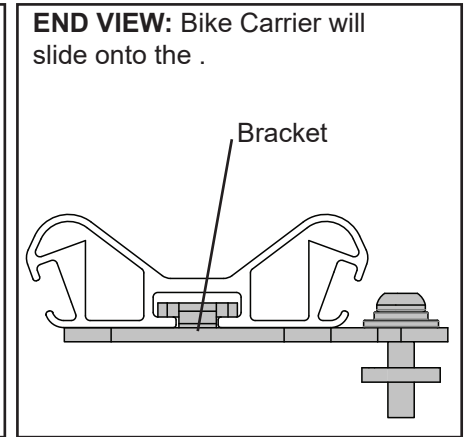
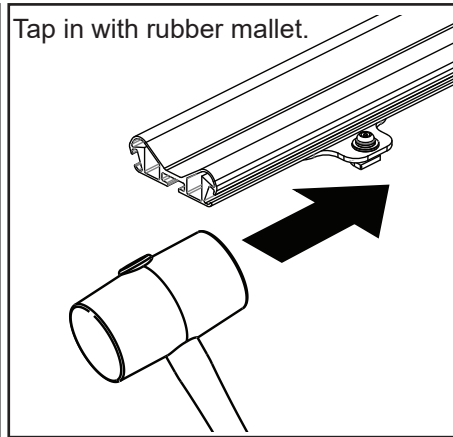
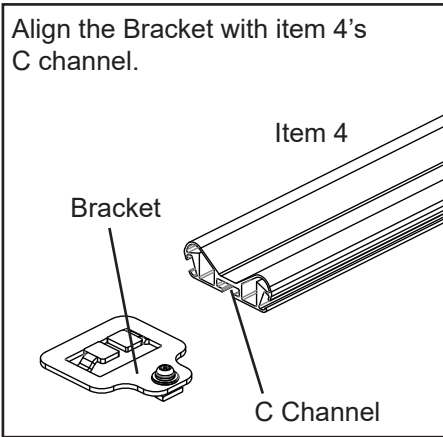
Parts List

Item	Component Name	Qty	Part No.
1	Bike Wheel Strap	1	CA1063
2	Bike Wheel Ratchet	1	CA1064
3	End Cap	1	CA1062
4	Wheel Tray Extrusion	1	CA1058
5	Quick Release Skewer	1	CA1060
6	Quick Release Fixed Stem	1	
7	Cover Plate	1	CA1120
8	M6 x 27mm Bolt	2	B063
9	M6 Spring Washer	2	W004
10	Bottom Cover	1	CA1121
11	C-channel Plate	1	CA1122
12	M6 x 12mm Security Bolt	1	B148
13	M6 Spring Washer	1	W004
14	M6 Flat Washer	1	W031
15	Bracket	1	CA1254
16	M6 Channel Nut	1	N002
17	Torque Security Key Short	1	TORKEY-S
18	Key	2	CA1339
19	Height Sticker	1	-
20	Fitting Instruction	1	R195



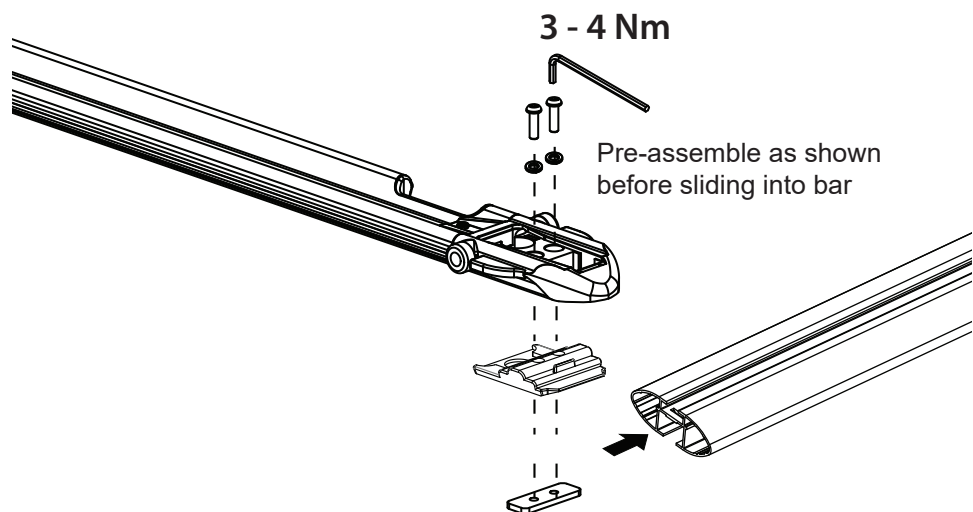
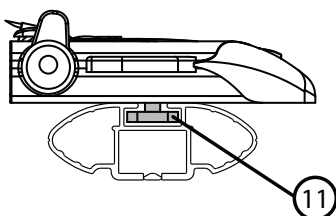
Tools required: Rubber mallet.

1 Slide the Bracket onto Item 4 as shown.



2 Attaching to crossbar:

Remove the cover plate from the head by unlocking and pulling up on the tab. Loosen the 2 screws, insert plate into C-channel as shown. Tighten back the 2 bolts to secure.





Rhino-Rack Road Warrior Bike Carrier (RBC036)

3

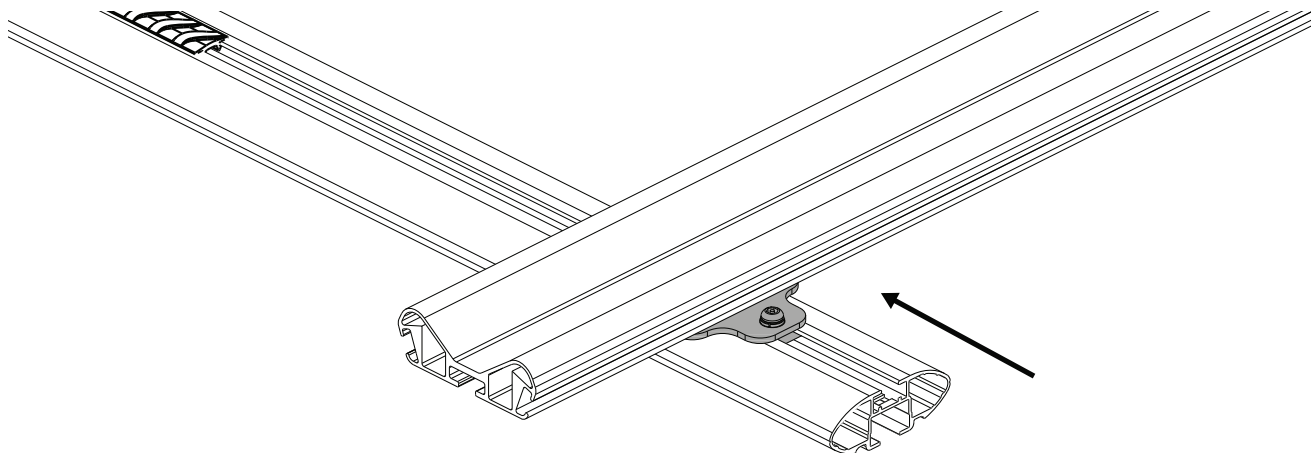
Attaching to crossbar:

Open up and check the hatchback does not hit the end of the Wheel Tray.



4

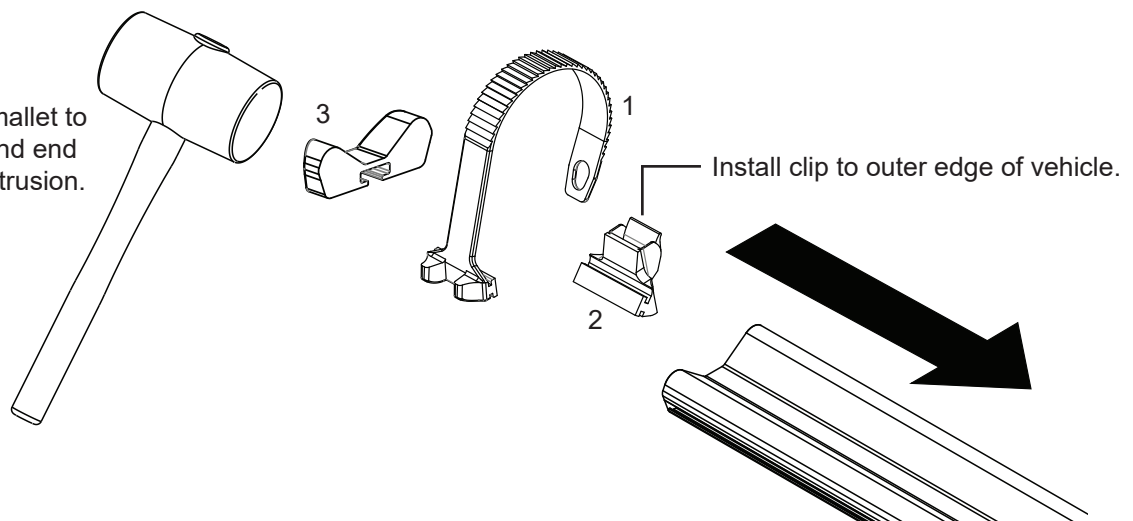
The Carrier will now slide onto the rear crossbar. Tighten with security key to 3-4Nm.



5

Complete the installation of the rear of the carrier using items 1, 2 and 3.

Use a rubber mallet to tap the strap and end cap into the extrusion.



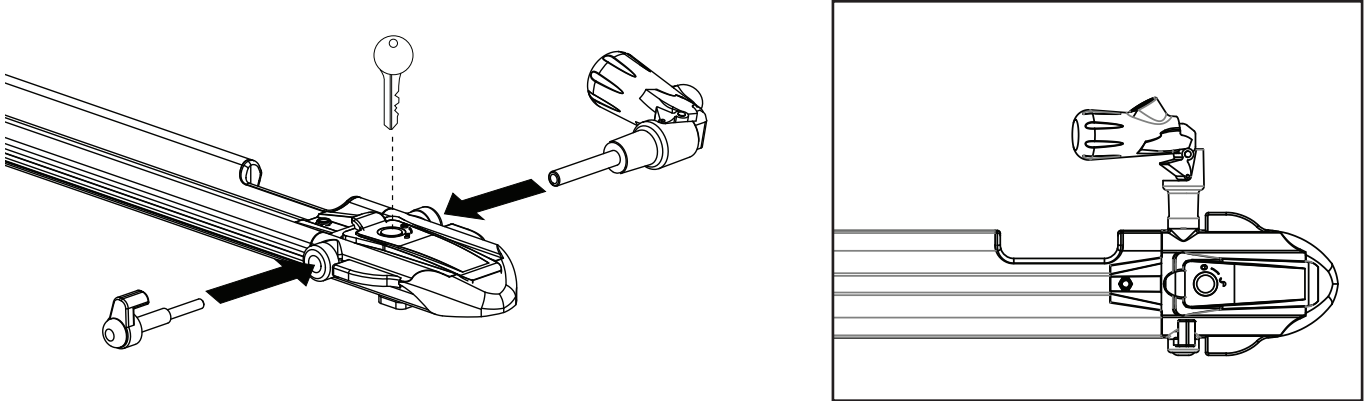


Rhino-Rack Road Warrior Bike Carrier (RBC036)

6

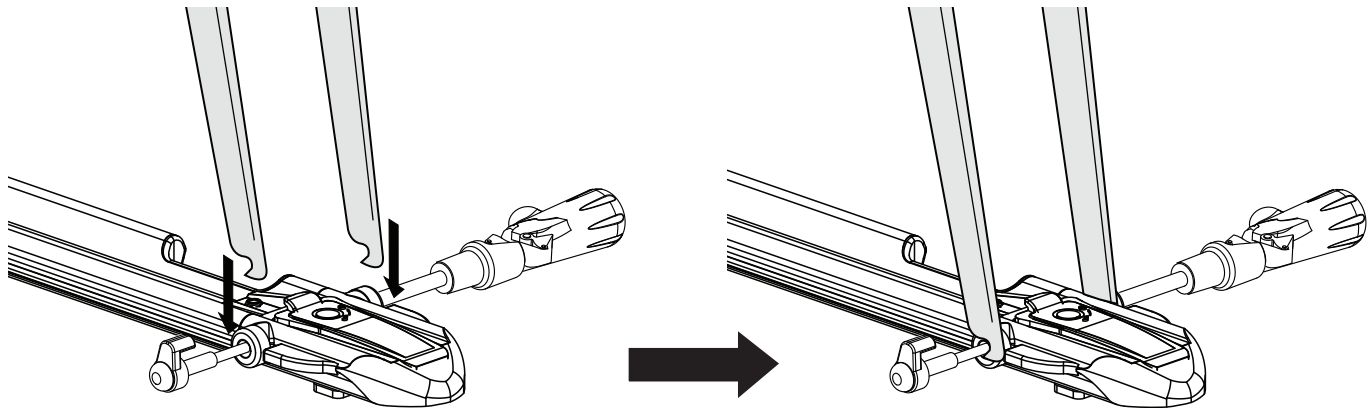
Loading a bicycle:

Unthread the Quick Release Skewer, and install into the head by threading together inside. Handle faces towards the outside of the car. Re-install the cover plate. If locks have been purchased or provided, the cover can now be locked.



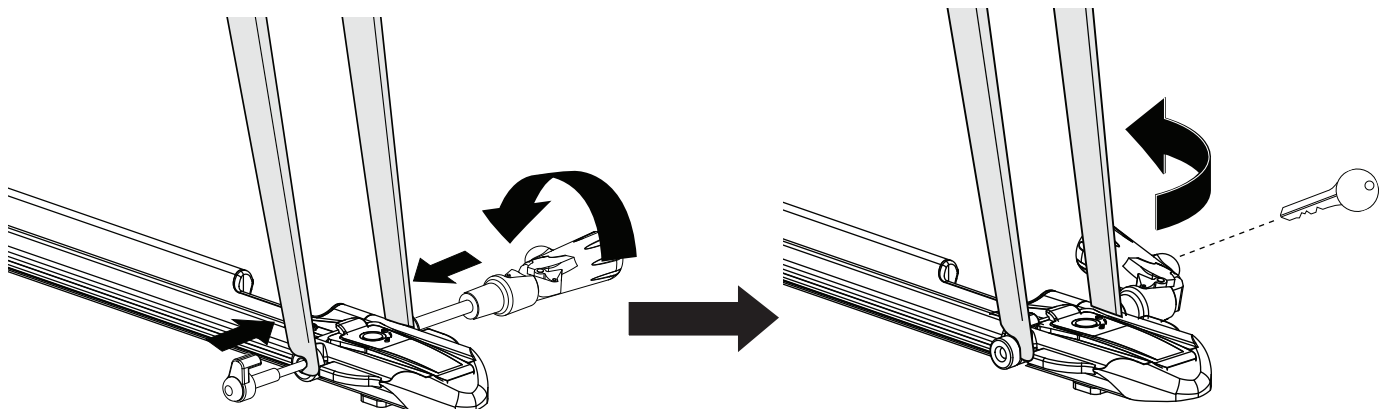
7

Open the handle of the quick release so the black handle is straight and the fixed end points down. Load the fork onto the quick release so both fork ends are resting straight on the quick release.



8

Twist handle clockwise to tighten the quick release skewer. Close the handle by flipping it 90 degrees to the closed position. If it is too loose, open the handle and turn it like a screwdriver (clockwise to tighten, counter clockwise to loosen), and close the handle again. Re-adjust until a firm and positive snap is felt when closed. If locks have been purchased or provided, the cover can now be locked.

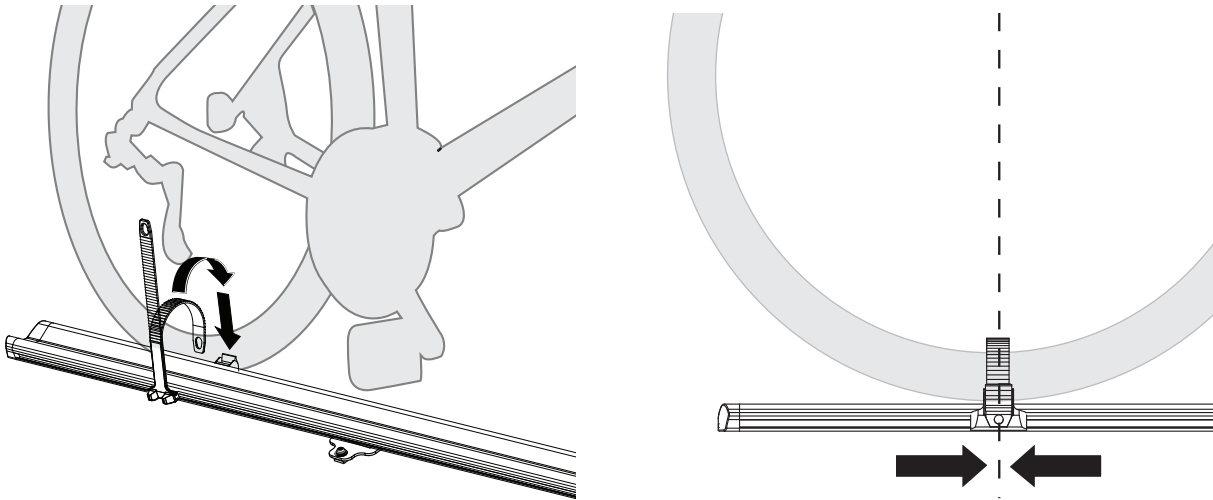




Rhino-Rack Road Warrior Bike Carrier (RBC036)

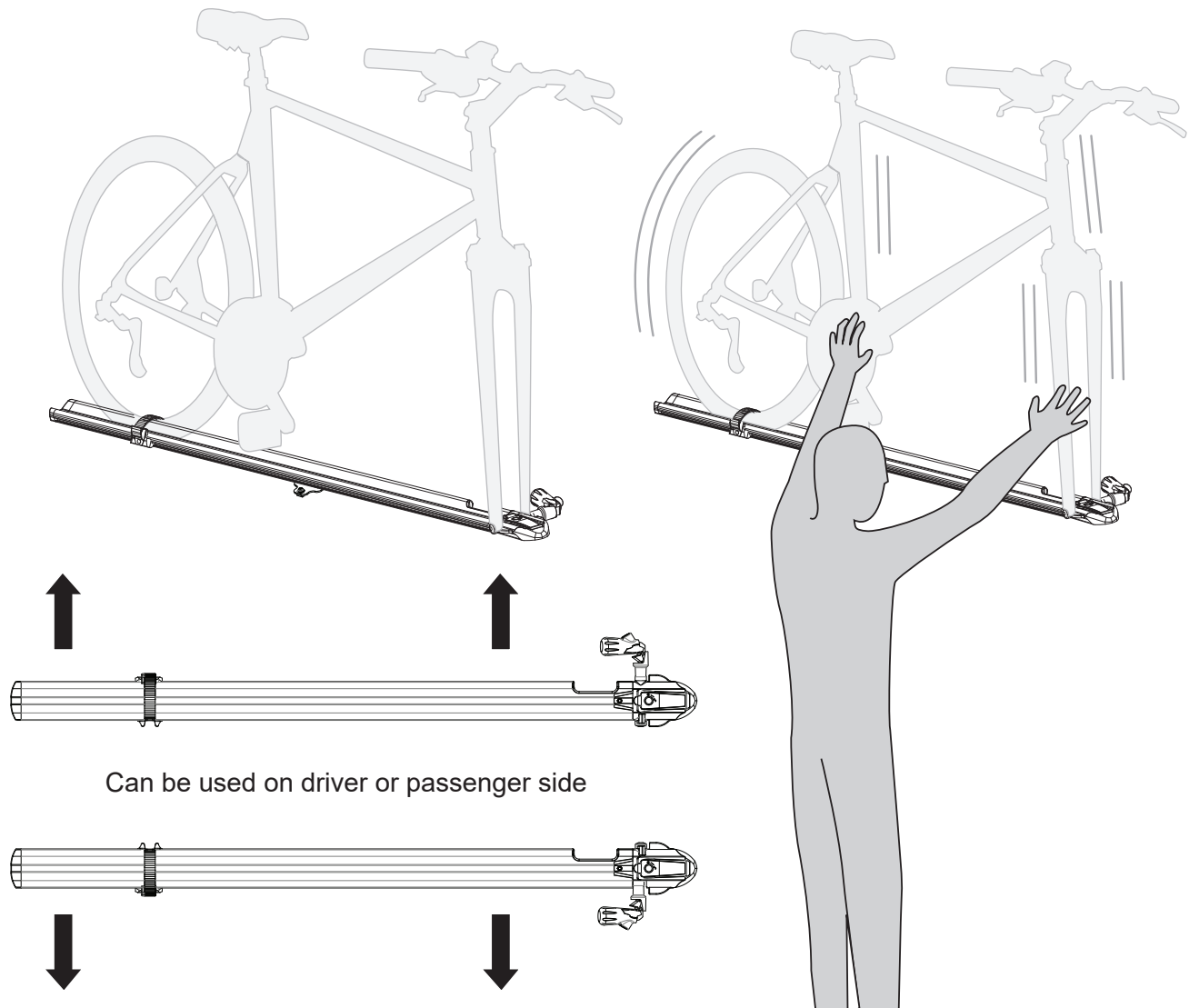
9

Fasten the Wheel Strap by looping the end through the wheel and into the buckle. Ensure that the strap is centre aligned with the centre of the wheel. Pull on the end until the strap firmly contacts the wheel.



10

The Quick Release Skewer is not an on/off switch. You must close the handle with enough tension to hold the bicycle. Rock the bicycle side to side to ensure proper mounting. The fork should be properly seated and not move. If unsure, please consult your dealer or Rhino-Rack. Failure to comply could result in the bicycle detaching with subsequent damage to the bicycle, vehicle, or other motorist

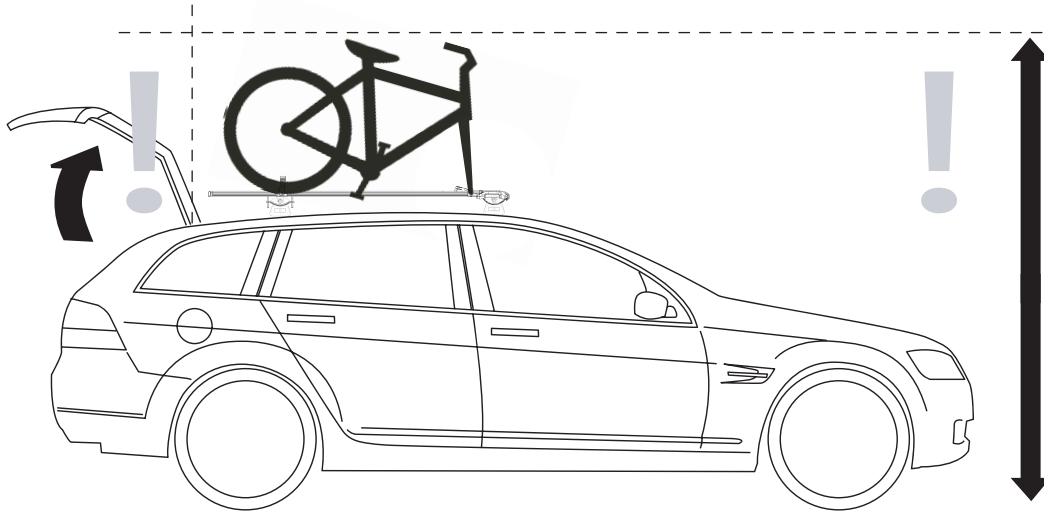




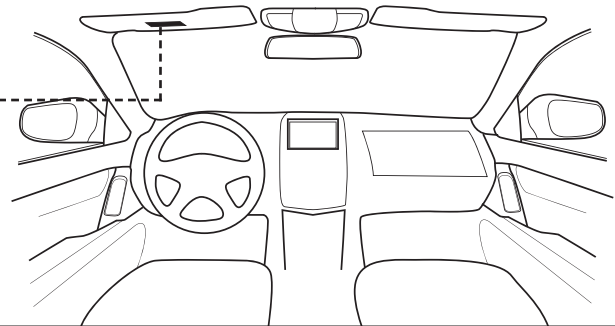
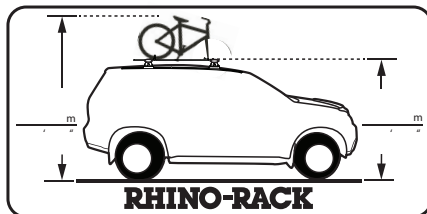
Rhino-Rack Road Warrior Bike Carrier (RBC036)

11

Ensure that the bike rack will not interfere with the opening of the rear hatch. Please note the extra height of the car with the bicycle and exercise necessary caution.



Note the height of your vehicle (including bike) and record it on the sticker provided. Install on the inside of the drivers side sun visor.



OPTIONAL

Multi Axle Adaptor, RBCA030 (**not included**), can be purchased to convert the front mount of the bike carrier to work with any **thru-axle equipped bike**. Please refer to RBCA030 Instruction for correct installation procedure.

