



RHINO-RACK

QMFK07 Nissan NV350 Fit Kit

Important: Please read these instructions carefully prior to installation.
Check the contents of this kit before commencing fitment and report any discrepancies.
Place these instructions in the vehicle's glove box after installation is complete.

Important Information

Maximum carrying capacity: 100kg/220lbs evenly distributed over all crossbars.

Please refer to your vehicle manufacturers handbook for maximum carrying capacity of your roof racks.

Always use the lower of the two figures. Load must be evenly distributed over the crossbars. Maximum permissible load is 100kg/220lbs (including the weight of the crossbars, 5kg/11lbs). When roof racks are to be used in off-road conditions, please build a safety factor of 1.5 into this load limit, 66kg/145lbs for off-road conditions. Although the roof racks are tested and approved to AS1235-2000, road conditions can be much more rigorous. However, increasing the number of crossbars does not increase the vehicles maximum permissible roof loading. Do not attempt to fit the crossbars to your vehicle unless you fully understand this fitting instructions. Please direct any questions regarding fitting to the dealer from where the kit was purchased.

Use only non-stretch fastening ropes or straps.

Recommendations: It is essential that all bolt connections be checked after driving a short distance when you first install your roof racks. Bolt connections should be checked again at regular intervals (once a fortnight is enough, depending on road conditions, usage, loads and distances travelled). You should also check the roof racks each time they are re-fitted. Always make sure to fasten your load securely. Please ensure that all loads are evenly distributed and that the centre of gravity is kept as low as possible. Long loads (e.g. canoes and kayaks) must be secured front and rear with non-stretch fastening ropes or straps. **Roof racks must be removed when putting vehicle through an automatic car wash.**

Caution: The handling characteristics of the vehicle changes when you transport a load on the roof. For safety reasons we recommend you exercise extreme care when transporting wind-resistant loads. Special consideration must be taken into account when cornering and braking.

Rhino-Rack
3 Pike Street, Rydalmere,
NSW 2116, Australia.
(Ph) (02) 9638 4744
(Fax) (02) 9638 4822

Document No: R778
Prepared By: Kayle Everett
Authorised By: Chris Murty

Fit Time: 45min
Issue No: 04
Issue Date: 19/07/2017

These instructions remain the property of Rhino-Rack Australia Pty. Ltd. and may not be used or changed for any other purpose than intended.

Fitment Instructions

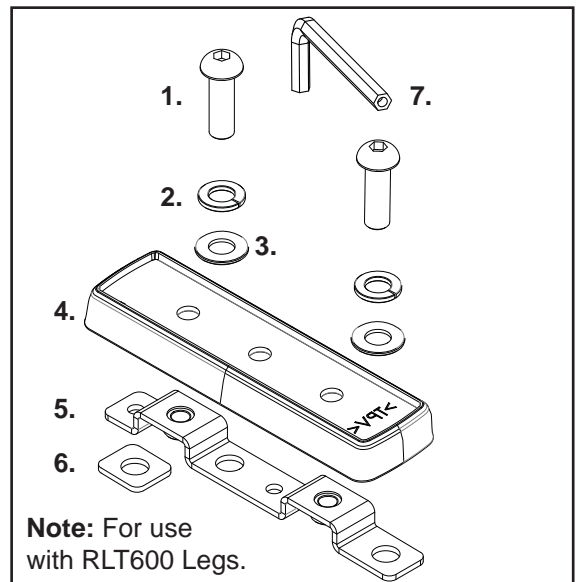
| Item | QMFK07 | Qty | Part No. |
|------|----------------------------------|-----|----------|
| 1 | M8x25mm Button Head Socket Screw | 4 | B140 |
| 2 | M8 Spring Washer | 4 | W019 |
| 3 | M8x17mm Flat Washer | 4 | W020 |
| 4 | Rubber Skirt | 2 | M829 |
| 5 | NV350 Ditch Bracket | 2 | CA1510 |
| 6 | C63 Butyl Patch 40x25mm M8 Hole | 4 | CA1260 |
| 7 | 5mm Security Key | 1 | H021 |
| 8 | Fitting Instructions | 1 | R778 |

Tools Required:

- Clean Cloth
- 13mm Socket Wrench
- 5mm Allen Key (provided)

Note:

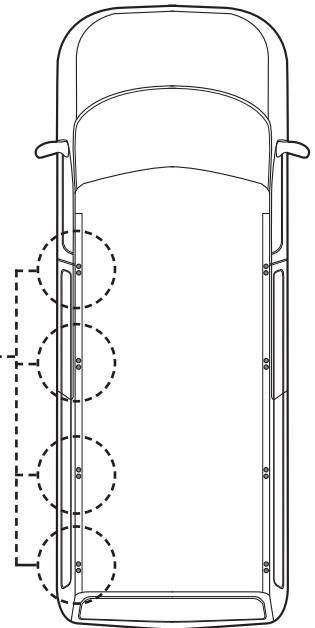
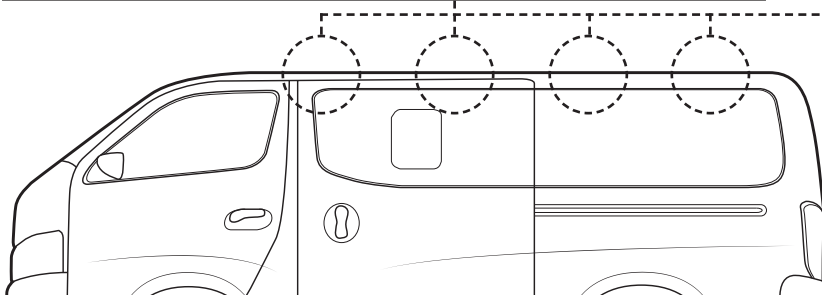
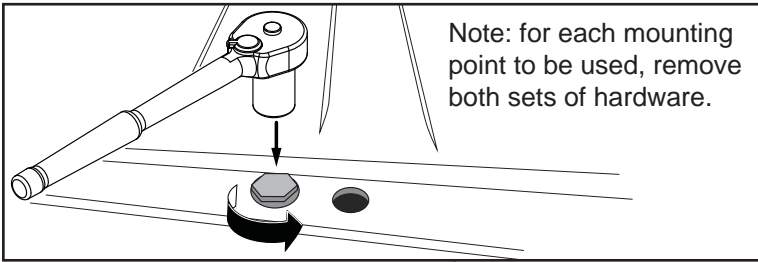
Fit kits may be required to correctly install multiple bars. Refer to www.rhinorack.com.au.



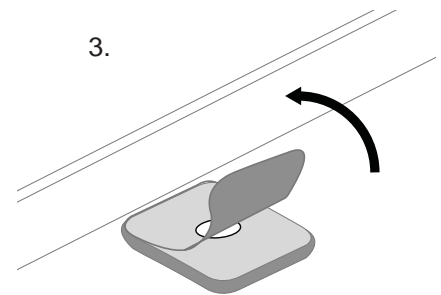
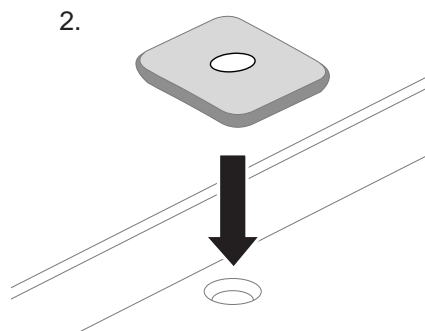
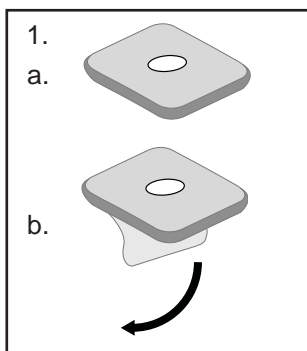


QMFK07 Nissan NV350

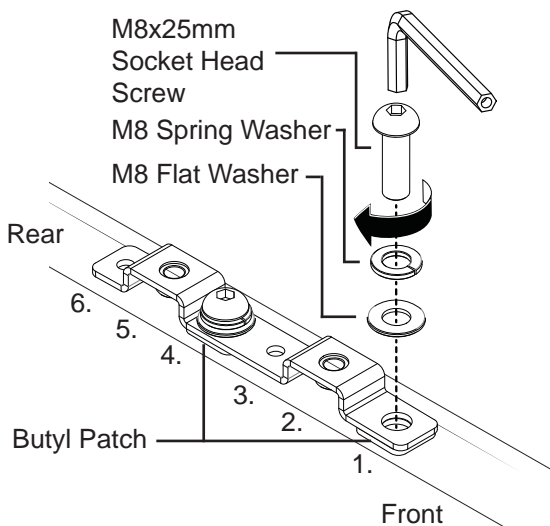
- 1** Move to the roof of the vehicle. Determine which roof plugs you intend to remove to fit your Crossbars. Remove the hardware from the roof with a 13mm Socket Wrench. Store in a safe place. Clean the area with a cloth.



- 2** Apply Butyl Patches to **ALL** exposed threads. 1: Remove the backing tape from the Butyl Patch. 2: Place one patch over each exposed threaded hole. 3: Remove the backing from top of patches.



- 3** Place the Ditch Bracket over the installed Butyl Patches. Use the first and fourth holes in the bracket. Tighten in place with M8x25mm Socket Head Screws, M8 Spring and Flat Washers, using the Allen Key provided.



- 4** Place the Rubber Skirt over the installed Bracket. Fit the Leg Assembly as per corresponding instructions.

