



RHINO-RACK

PLHS3 - Pioneer 5mm Leg Height Spacers

Place these instructions in the vehicle's glove box after installation is complete.

Important: Please read these instructions carefully prior to installation.
Please refer to your fitting instruction to ensure that the alloy tray is installed correctly.
Check the contents of this kit before commencing fitment and report any discrepancies.

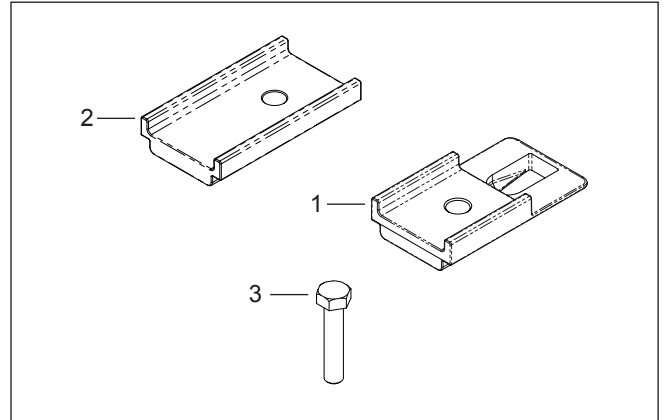
Item	Component Name	Qty	Part No.
1	Pioneer Leg Height Spacer (PLHS)	2	M609
2	Leg Height Spacer (LHS)	2	M016
3	M10 x 50mm Hex Screw	2	B208
4	Fitting Instructions	1	R366

Care Instruction

Clean alloy tray prior to fitting the Pioneer leg height spacers.

Tools Required

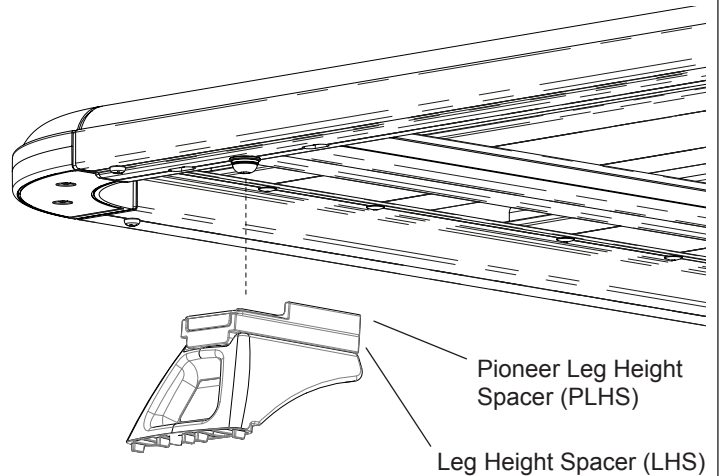
16mm Spanner



Fit legs and leg height spacers to tray

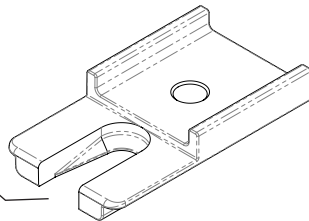
Stack the leg height spacers on top of the leg as shown. Fit the leg to the tray as specified in the fitting instruction.

Make sure the head of the M8 dome bolt sits within the leg height spacer as shown.



Note:

The end of the leg height spacer can be cut away with a hacksaw if required.



Rhino-Rack
3 Pike Street, Rydalmere,
NSW 2116, Australia.
(Ph) (02) 9638 4744
(Fax) (02) 9638 4822

Document No: R484
Prepared By: Nigel Greig
Authorised By: Chris Murty

Issue No: 01
Issue Date: 28/08/2014

These instructions remain the property of Rhinorack Australia Pty Ltd and may not be used or changed for any other purpose than intended.