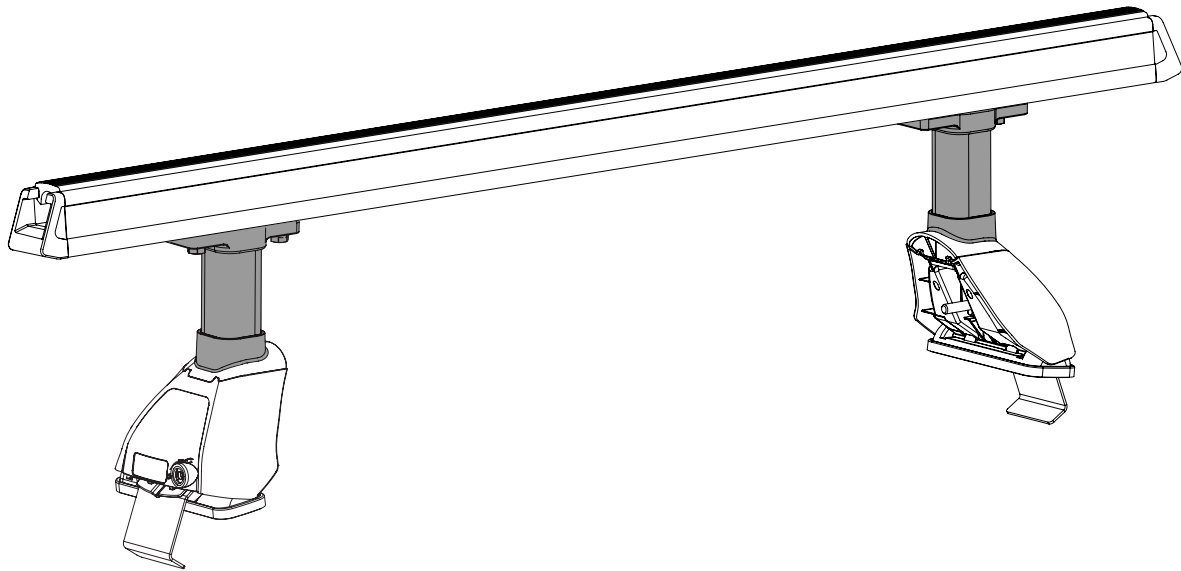




RHINO-RACK

HD Fit Kit 2500 Spacers (HD-FK9)

Important: Please read these instructions carefully prior to installation.
Please refer to your fitting instruction to ensure that the roof racks are installed in the correct locations.
Check the contents of kit before commencing fitment and report any discrepancies.
Place these instructions in the vehicle's glove box after installation is complete.



Care Instruction: Wash vehicle roof. Ensure roof is clean prior to installation.

Important Information

Product is rated to a carrying capacity of 25kg. To be used as a support bar for long loads only. Please refer to your vehicle manufacturers handbook for maximum roof loading.

Recommendations:

It is essential that all bolt connections be checked after driving a short distance when gutter mount legs and cross bars are first installed. Bolt connections should be checked again at regular intervals (probably once a week is enough, depending on road conditions, usage, loads and distances travelled). You should also check the cross bars each time they are re-fitted. Make sure to fasten your load securely. Ensure all loads are evenly distributed and that the centre of gravity is kept as low as possible.

Use only non-stretch fastening ropes or straps.

Sensitivity to cross winds, behaviour in curves and braking.

The handling characteristics of the vehicle, changes when you transport a load on the roof. For safety reasons, we recommend you exercise extreme care when transporting wind-resisting loads; special consideration must be taken into account when braking.

Please remove cross bars & legs when putting vehicle through an automatic car wash.

Load ratings:

Maximum permissible load is 25kg (include the weight of the cross bar and legs, 5kg). When cross bars are to be used in off-road conditions, please build a safety factor of 1.5 into this load limit - 17kg for off-road use. Although the cross bars are tested and approved to AS1235-2000, Australian road conditions can be much more rigorous. However, increasing the number of cross bars does not increase the vehicles maximum permissible roof loading.

Note for Dealers and Fitters:

It is your responsibility to ensure instructions are given to the end user or client.

Rhino-Rack
3 Pike Street, Rydalmere,
NSW 2116, Australia.
(Ph) (02) 9638 4744
(Fax) (02) 9638 4822

Document No: RR-215
Prepared By: Andy Wana
Authorised By: Chris Murty

Issue No: 03
Issue Date: 25/11/2013
Issue by: Alan Marshall.

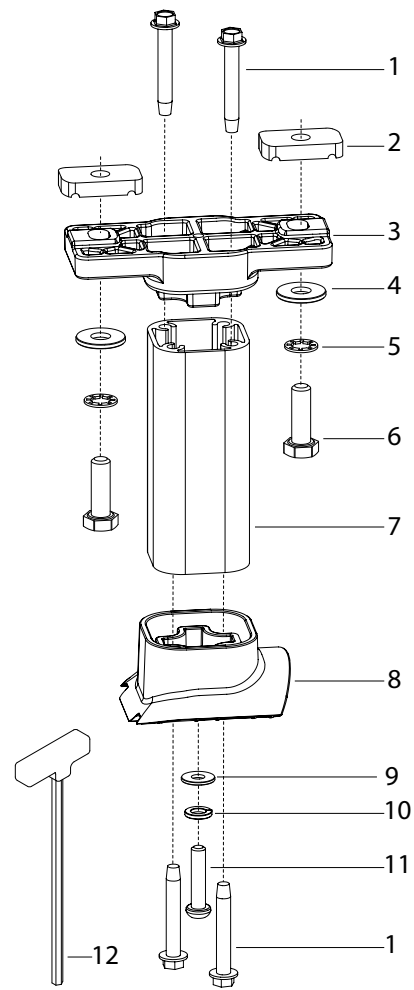
These instructions remain the property of Rhino-Rack Australia Pty Ltd and may not be used or changed for any other purpose than intended.



HD Fit Kit 2500 Spacers (HD-FK9)

Parts List

Item	Component Name	Qty	Part No.
1	M6 x 40mm Trilobal Screw	8	B104
2	M8 Channel Nut	4	N003
3	Ute Post Cross Bar Adaptor	2	M062
4	M8 Flat Washer	4	W036
5	M8 Shakeproof Washer	4	W033
6	M8 x 25mm Hex Bolt	4	B101
7	Ute Post 100mm	2	A403
8	Ute Post Leg Adaptor	2	M316
9	M6 x 16mm Flat Washer	2	W031
10	M6 Spring Washer	2	W004
11	M6 x 27mm Security Screw	2	B063
12	Torque Key (Long)	1	TORKEY-L
13	Fitting Instruction	1	R



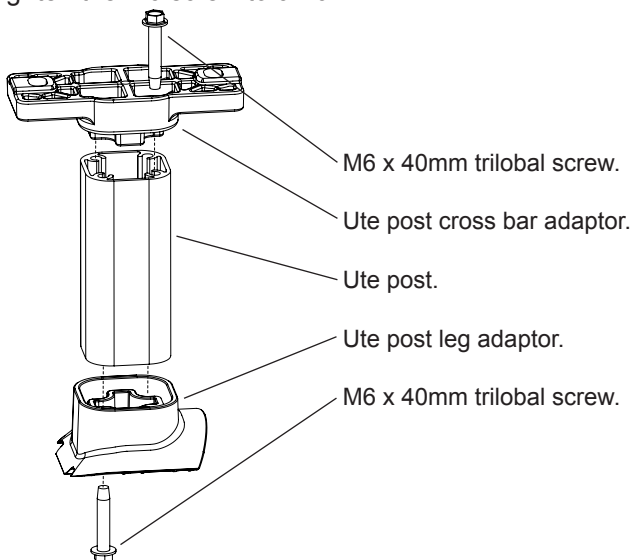
Tools Required:

- | | |
|--------------------|---|
| Security allen key | Tape measure. |
| 14mm spanner. | Battery drill or Socket wrench with 8mm socket. |
| 16mm spanner | |

NOTE: Refer to DK specification sheet for correct placement of the foot plate, rubber pad and metal strap.

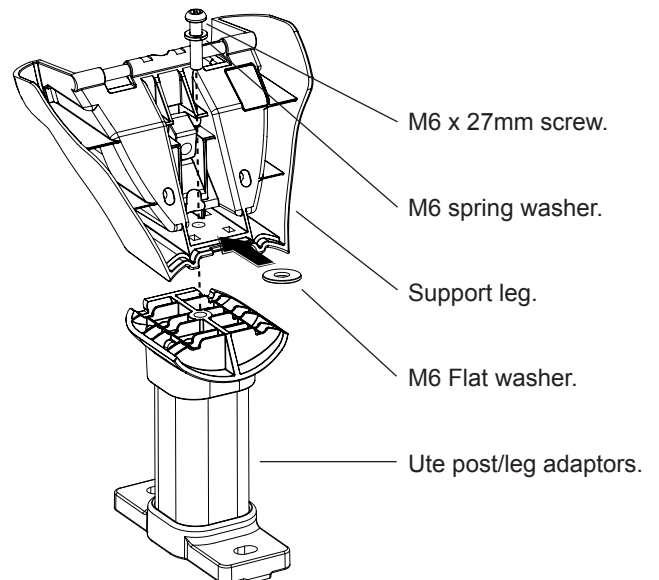
1 Fit two M6 x 40mm trilobal screws:

Fasten the upper and lower adaptors using supplied M6 x 40mm trilobal screws. Place one screw diagonally opposite the other. A battery drill with 8mm socket is recommended to fasten the self tapping screws. Tighten the M6 screw to 9-10 Nm.



2 Attach hardware to legs:

Assemble the M6 x 27mm screw, spring washer and flat washer. Tighten the M6 screw to 9-10 Nm.





HD Fit Kit 2500 Spacers (HD-FK9)

DK supplement sheet reference:

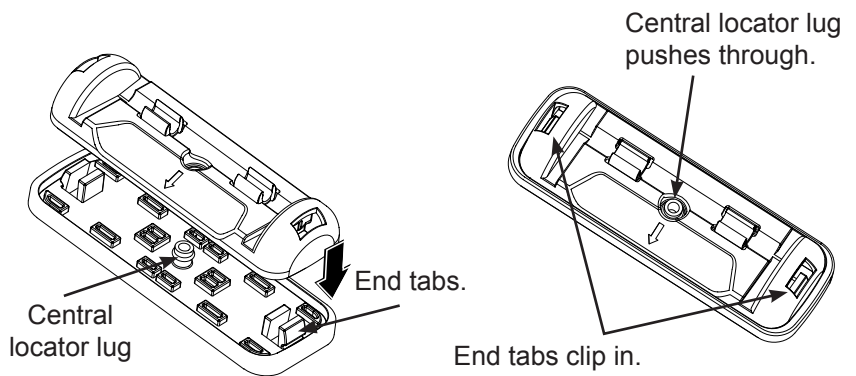
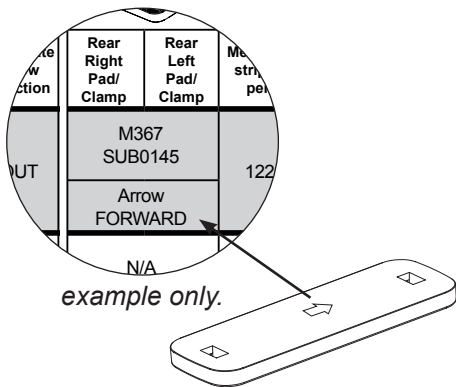
Refer to page 1 of the DK specification sheet provided for information regarding **Steps 3, 4 and 5**. Highlighted below is an example of the information you require to correctly assemble your cross bar and legs.

Vehicle	Date	Crossbar	Front					Rear						
			Front Right Pad/ Clamp	Front Left Pad/ Clamp	Measurement strip length per side	Measurement strip length per side	Measurement Distance (x)	Foot plate arrow direction	Rear Right Pad/ Clamp	Rear Left Pad/ Clamp	Measurement strip length per side	Measurement strip length per side	Measurement Distance (x)	Foot plate arrow direction
Ford Ranger PX Double Cab	2011-	1375mm	M367		133mm	78mm	1029mm	OUT	M367		122mm	67mm	1007mm	OUT
			Sub0146						Sub0145					
			Arrow FORWARD						Arrow FORWARD					

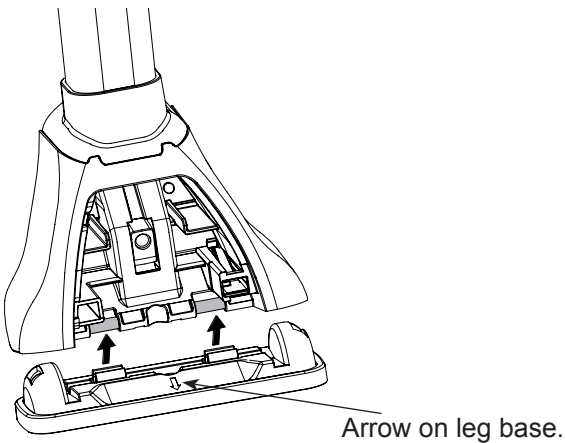
3 Attach pad to foot plate.

Clip rubber pad onto foot plate. Pad central locator lug and end tabs must fully locate into the foot plate.

Note: Certain rubber pad sets have a DK supplement sheet to show correct orientation.



4



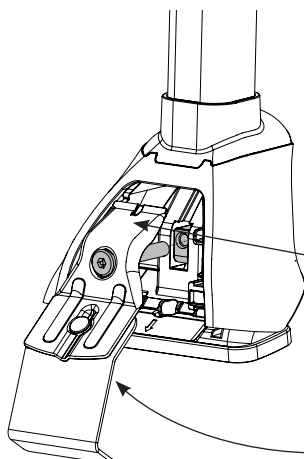
Clip support leg onto base:

Clip the leg base onto the leg with the arrow facing in the correct direction **IN** or **OUT** according to your vehicle listed in the DK specification sheet.

The leg base will swing freely when properly attached.

Diagram shows arrow facing **OUT**.

5



Attach metal clamp:

Insert the M8 security bolt through the front of the clamp. Screw the bolt into the pivot nut. The bolt only needs to enter the pivot nut far enough to get a few threads started.

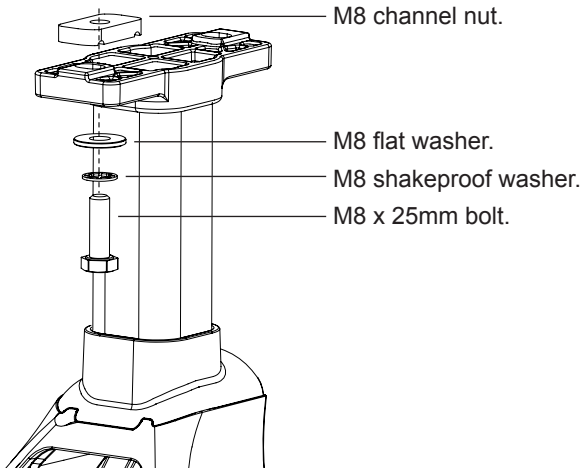
DO NOT tighten until leg/clamp is on the vehicle roof.

Clamp will have Part No. either on top or underneath.



HD Fit Kit 2500 Spacers (HD-FK9)

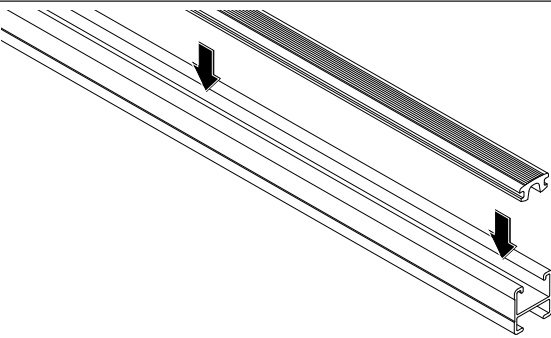
6



Attach channel nut:

Attach only one M8 channel nut/washer assembly. Repeat this step for other leg as well. The ute post will be located well enough to obtain a height measurement.

7



Insert cross bar rubber:

Insert the cross bar rubber into the top of the cross bar. The rubber may need to be trimmed level with end of the cross bar.

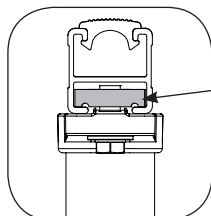
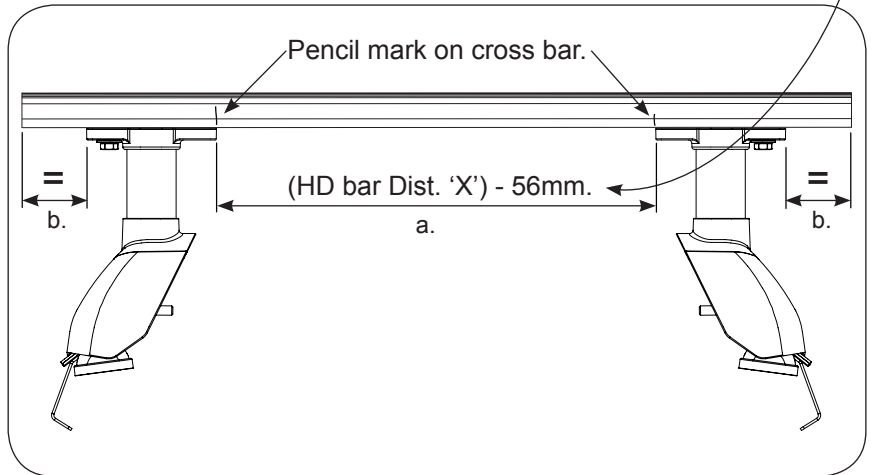
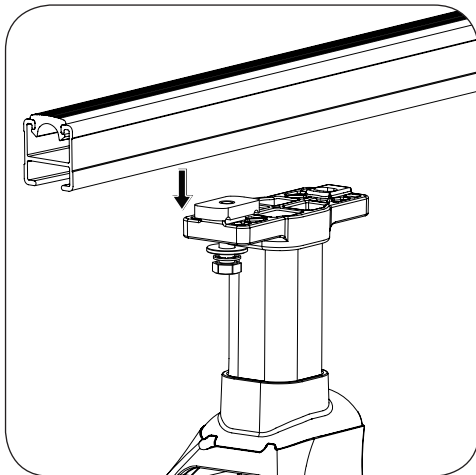
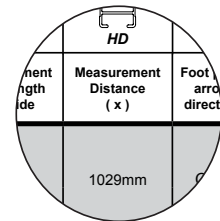
Cross bars and rubbers not included in this kit

8

Set legs to correct distance apart:

Fasten the legs to the cross bar using one M8 x 25mm bolt, washer and channel nut assemblies per leg. Use enough tension to hold the cross bar securely. No need to fully tighten at this stage.

- Because of the ute post attachments, the distance marked 'X' on your DK specification sheet page 1 has changed. Subtract **56mm** from nominated vehicle description (*HD bar Dist. 'X'*) for correct measurement.
- While setting distance 'X' also make sure the cross bar overhang is equal both sides. When positioned, mark cross bar with a pencil to assist when re-fitting after posts have been cut.



Channel nuts must fully locate across the cross bar when tight.

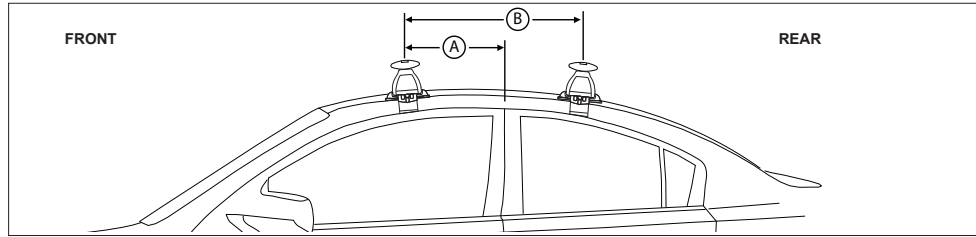


HD Fit Kit 2500 Spacers (HD-FK9)

DK supplement sheet reference:

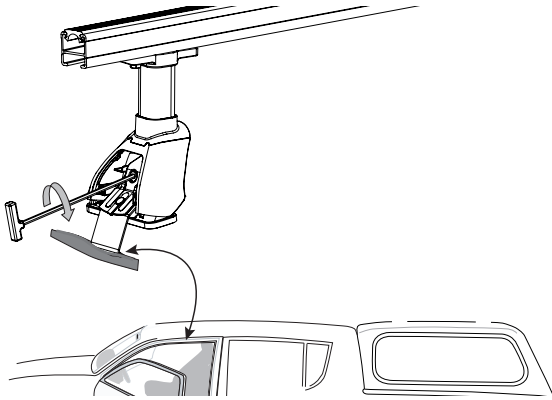
Refer to page 2 of the DK specification sheet provided for information regarding **Step 9**. Highlighted below is an example of the information you require to correctly position your cross bar on the roof.

Example specification only.
Vehicle dimensions vary.



VEHICLE	Date	Measurement A	Measurement B	Measurement C	Load Rating (includes racks 5kg/11lbs)
Ford Ranger PX Double Cab	2011-	200mm / 7,7/8"	800mm / 31,1/2"	N/A	75kg / 165lbs

9



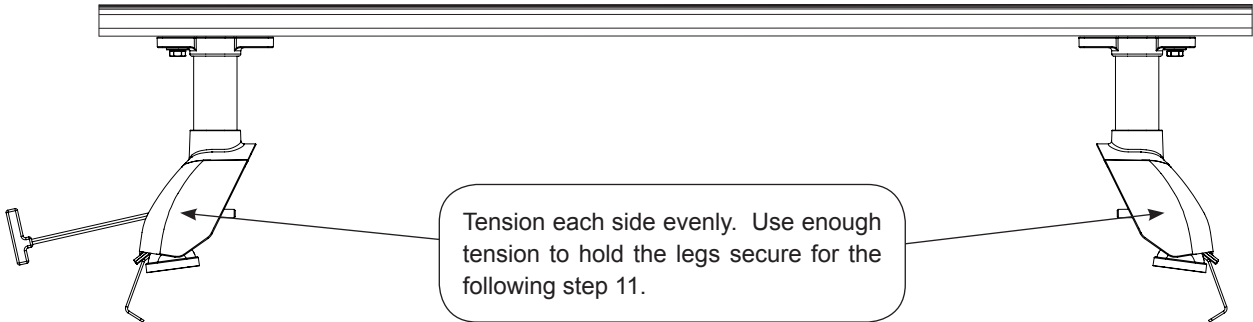
Place rack on vehicle:

Open the door and hook the metal strap in at top of the door jamb underneath any rubber seals that may be there.

KEEP IN MIND THAT THE UTE POST IS NOT PERMANENTLY SECURED.

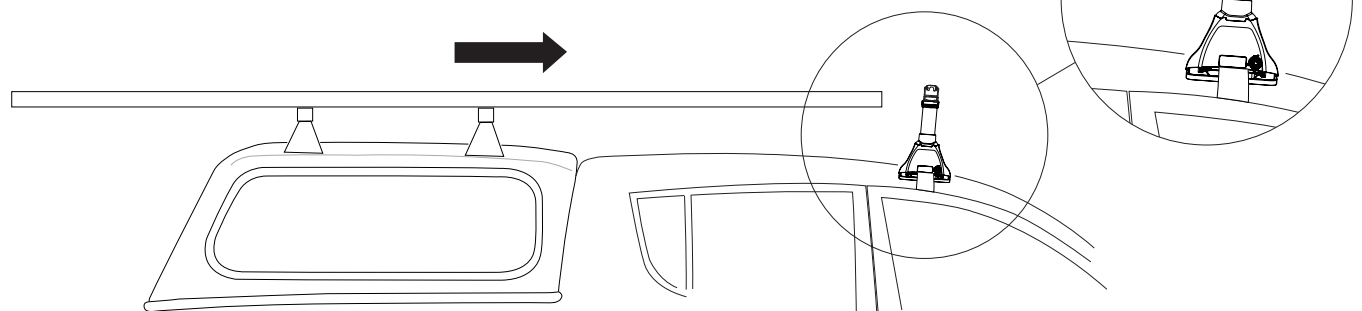
10 Secure legs to vehicle:

Lightly tension M8 leg bolts on each side of the vehicle evenly. Do NOT tighten one side at a time. This is not final fitment.



11 Measure height:

Place a long straight edge on canopy bars. Slide forward to obtain a measurement **(D)** between underside of load and top of cross bar. Subtract measurement 'D' from the total length of the aluminium ute post and this is the length you will need to cut the post to. Disassemble and remove roof rack.

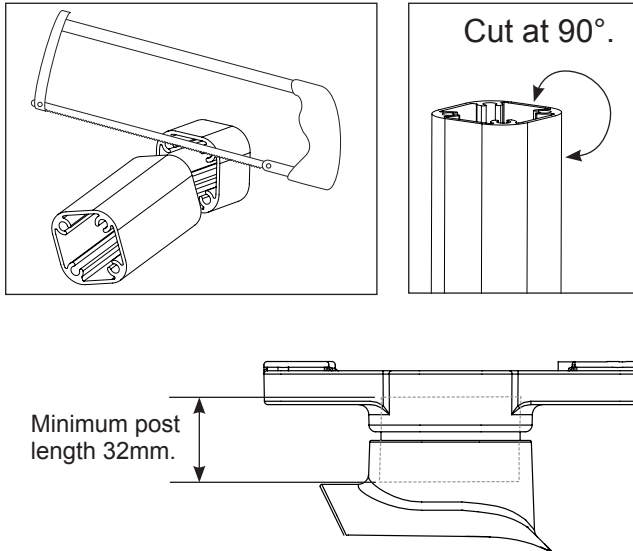




HD Fit Kit 2500 Spacers (HD-FK9)

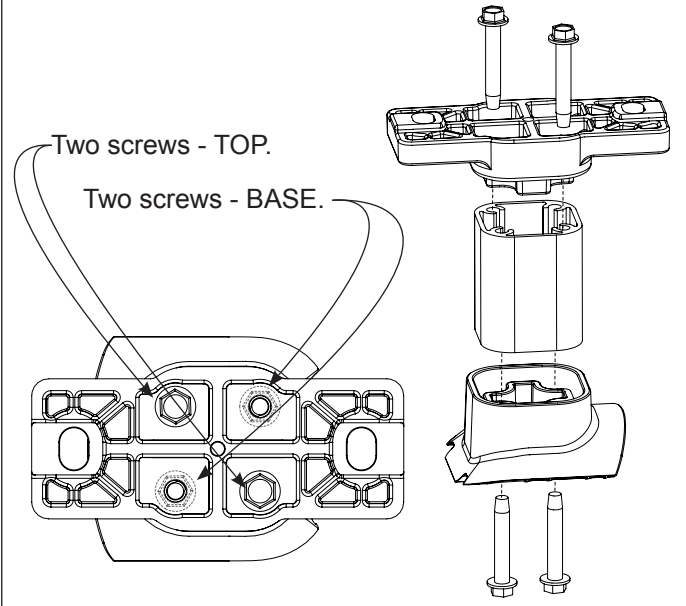
12 Cut ute post. Minimum post length 32mm:

Remove post from each leg. Cut the two posts to the measurement achieved in Step 11. Make sure the cut is at 90° to the post so when assembled the post has a flat and proper footing in the adaptors.

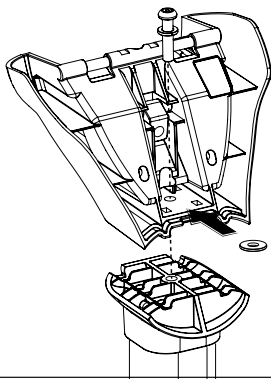


13 Fit M6 x 40mm trilobal screws:

Fasten the upper and lower adaptors using supplied M6 x 40mm screws. Place the screws diagonally opposing each other. A battery drill with 8mm socket is recommended to fasten the self tapping screws.



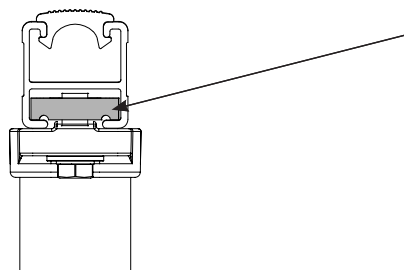
14



Refer Step 2 for attachment:

Tighten M6 x 27mm screw to 9-10 Nm.

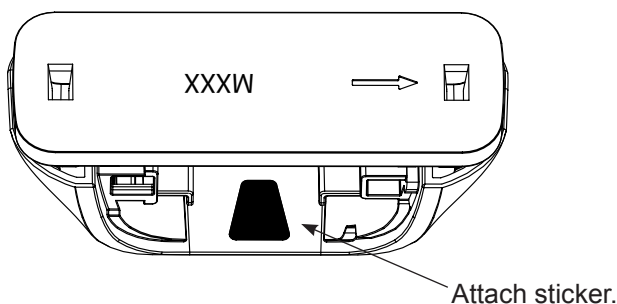
15



Check channel nut:

Channel nuts must fully locate across the cross bar when tight. **Check inner & outer channel nut on each leg.**

16



Apply orientation stickers:

Stick the leg position labels inside the leg. The labels identify positioning of the leg on the vehicle roof. They are used when refitting the cross bar after removal.

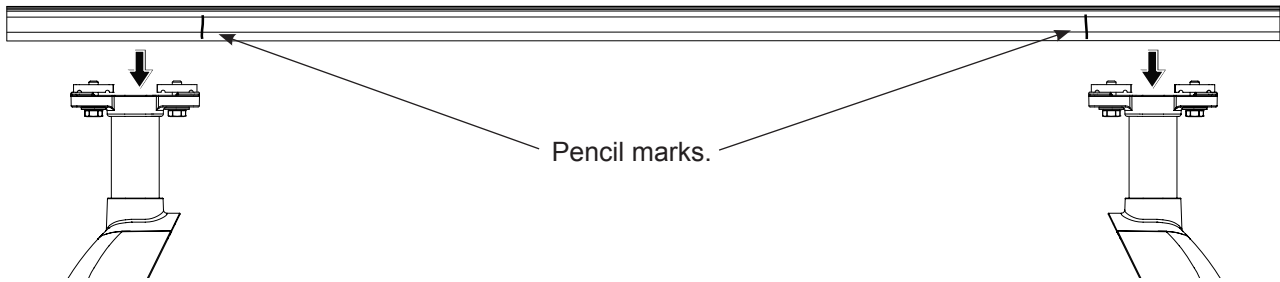




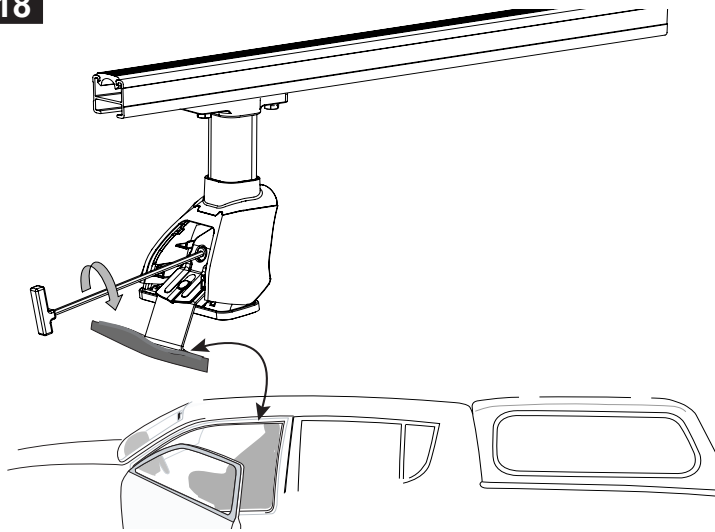
HD Fit Kit 2500 Spacers (HD-FK9)

17 Re-fit cross bar:

Re-fit the cross bar. Line up the cross bar adaptor with pencil marks from Step 8. Tighten M8 cross bar bolts to 13-15 Nm.



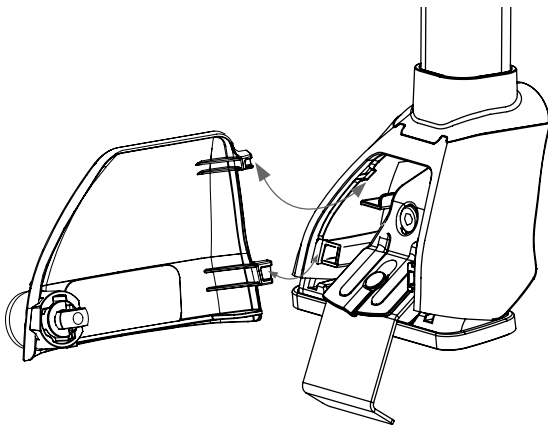
18



Attach cross bar assembly to roof:

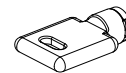
Wipe the roof clean before placing the assembled roof racks on. Open the doors and hook the metal strap in at the top of the door jam underneath any rubber seals that may be there. Tension the bolts on each side of the vehicle evenly, not one side at a time. Tighten to 9-10 Nm. **DO NOT OVER TIGHTEN.**

19

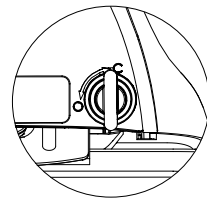
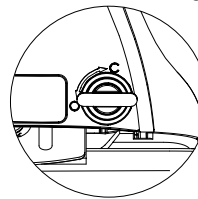


Attach leg cover plate:

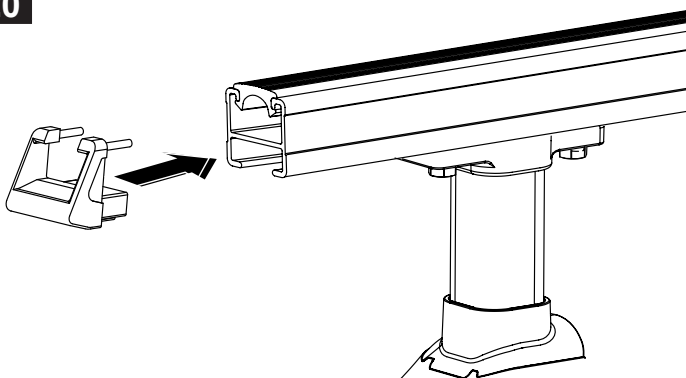
Insert the two lugs of the front cover into the left side of the leg. Use the key provided to operate the lock barrel. **(O)** is open position **(C)** is closed position.



Key provided.



20



Cross bar end caps:

Trim any excess rubber buffer strip. Fit end caps into the cross bar ends. A rubber mallet maybe required to knock the end caps in.