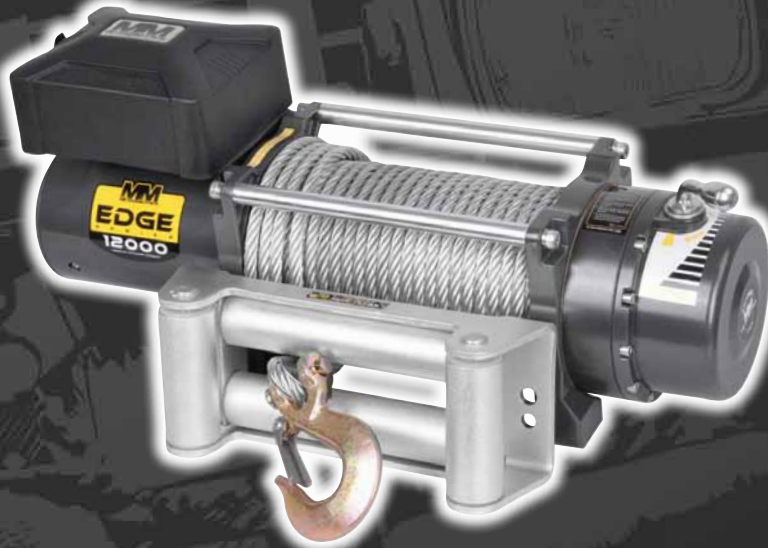




EDGE SERIES



6000LB



12,000LB



12,000LB
BARE



9500LB



9500LB
BARE



9500LB
SYNTHETIC ROPE



12,000LB
SYNTHETIC ROPE



12,000LB
24 VOLT

We built the **EDGE** series to appeal to the 4WD enthusiast who is passionate about quality but wants value for money. The **EDGE** series ticks all those boxes with standard features not found on comparable winches.



MM
MEANMOTHER
**FIVE YEAR
WARRANTY**
CONDITIONS APPLY

EDGE MECHANICAL:

Each winch in the EDGE series features a three stage planetary gearbox with sintered steel bushings which have been pressed and stamped (no pop rivets) into the gear carrier. A sliding ring gear clutch provides maximum strength and efficiency in forward and reverse winching operations with ease of free spool functionality. Each gear box is assembled and lubricated using synthetic grease and conforms to our strict assembly guidelines. Providing strength and enduring the pulling forces exerted is a hardened seamless steel drum assembly. Delivering maximum safety during a recovery is an automatic load holding in-drum brake system.

EDGE ELECTRICAL:

Delivering power to the winch is a waterproof solenoid that uses Ag-Cd alloy contacts (Silver cadmium alloy). The technology and quality of these contactors resist arcing when switching currents. This prevents the contactors from fusing together creating a closed circuit which can potentially damage your winch or vehicle and possibly serious injury to the operator.

This solenoid is housed in a sleek and stylish control box which has a waterproof plug. The heavy duty hand control comes with a 5 metre power cord with the option to upgrade to a wireless remote control which offers the user complete control and flexibility to stand well clear of the winch during operation.

The 9500lb & 12000lb series winches use an efficient 12 volt 4.8hp series wound motor while the 6000lb runs a 3.6hp. Also available is a 24 volt 12000lb winch, using a 24 volt 4.8hp series wound motor. All these models offer performance and reliability in the toughest of conditions. We are so confident in the quality and design of our EDGE series winches we offer a limited 5 year warranty on mechanical and electrical components.

**Please refer to our online warranty statement for further details.*

PERFORMANCE TESTED & GUARANTEED:

To ensure the very best manufacturing processes are undertaken in the building of our EDGE series winches we have developed our own detailed testing procedures to ensure they meet and exceed our engineering, performance and quality benchmarks. Our testing procedures are divided into two individual areas:

Strength Testing

Each model is tested to the following specifications and recorded:

- 1.1 times rated line pull (dynamic testing) and
- 1.25 times rated line pull (static testing)

These tests are designed to examine the overall strength and ability of the winch while observing and recording the important characteristics and operational performance specifications.

Durability Testing

The winch is tested to the maximum duty cycle (1 minute) and rated line pull (winch applicable rating) in a dynamic test. This test is performed no less than 100 times and recorded; furthermore the first (1st) cycle is tested to 1.25 times the rated line pull. After the winch has passed 100 cycles without failure the winch and components are passed and inspected.

NOTE: All testing was performed with the 1st layer of winch cable on the drum.

EDGE WINCH CROSS-SECTION:



If all these features weren't enough, all EDGE series winches have been equipped with T.C.C.P.C. (Tinned Coated Copper Power Cables) with PVC insulation and the additional protection of a fibreglass outer sheath. Tinning involves coating each individual strand of copper housed inside the cable core. This process greatly increases the life of the power cable and is regarded as the ultimate in corrosion protection.

OPTIONAL EXTRA:



WIRELESS REMOTE UPGRADE KIT



- ✓ **STRENGTH TESTED**
- ✓ **INSPECTED**
- ✓ **SERIAL NUMBER TRACKED**



If you already have steel cable or synthetic rope in good condition, or want to fit a different size cable or rope, you can opt to purchase the winch in a BARE FORMAT. Basically this means the winch does not include steel cable, roller fairlead or clevis hook, therefore saving you time & money. EDGE series Bare Winches come in either 9500lb or 12000lb.

MM

MEAN|MOTHER

WWW.MEANMOTHER.COM.AU