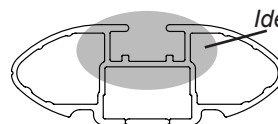


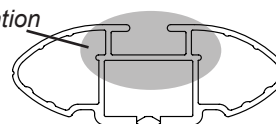


DK387 Rhino-Rack VA, DA, Euro & HD crossbar instruction

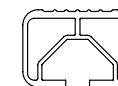
IDENTIFICATION CHART



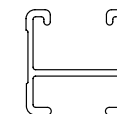
VA crossbar



DA crossbar



EURO crossbar



HD crossbar

Vehicle	Date	Crossbar	FRONT CROSSBAR					REAR CROSSBAR						
			Front Right Pad/ Clamp	Front Left Pad/ Clamp	Measurement strip length per side	Measurement strip length per side	Measurement Distance (x)	Foot plate arrow direction	Rear Right Pad/ Clamp	Rear Left Pad/ Clamp	Measurement strip length per side	Measurement strip length per side	Measurement Distance (x)	Foot plate arrow direction
Mazda 6 4dr sedan GJ	12/12-	1260mm	M282 SUB0369	M281 SUB0369	177mm	64mm	1002mm / 39,29/64"	OUT	M284 SUB0513	M283 SUB0513	151mm	38mm	950mm / 37,25/64"	OUT
	USA 13-		Pad Arrow Forward						Pad Arrow Forward					



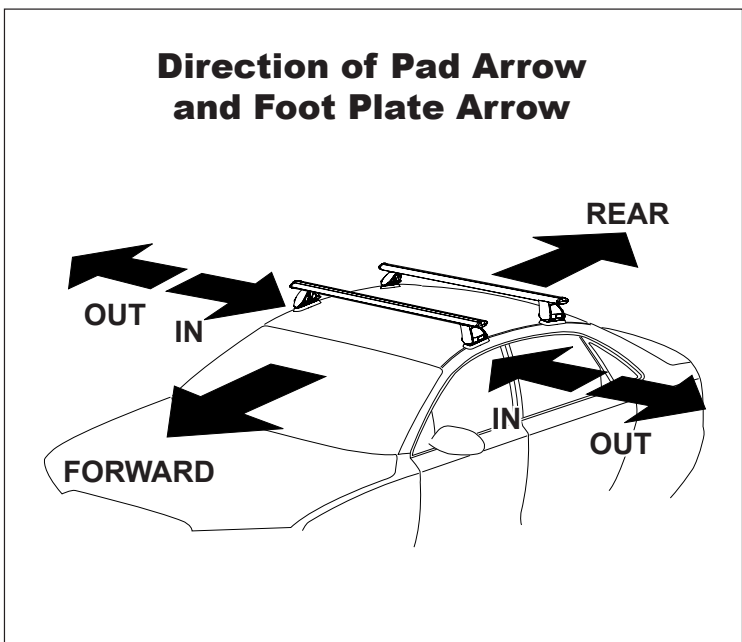
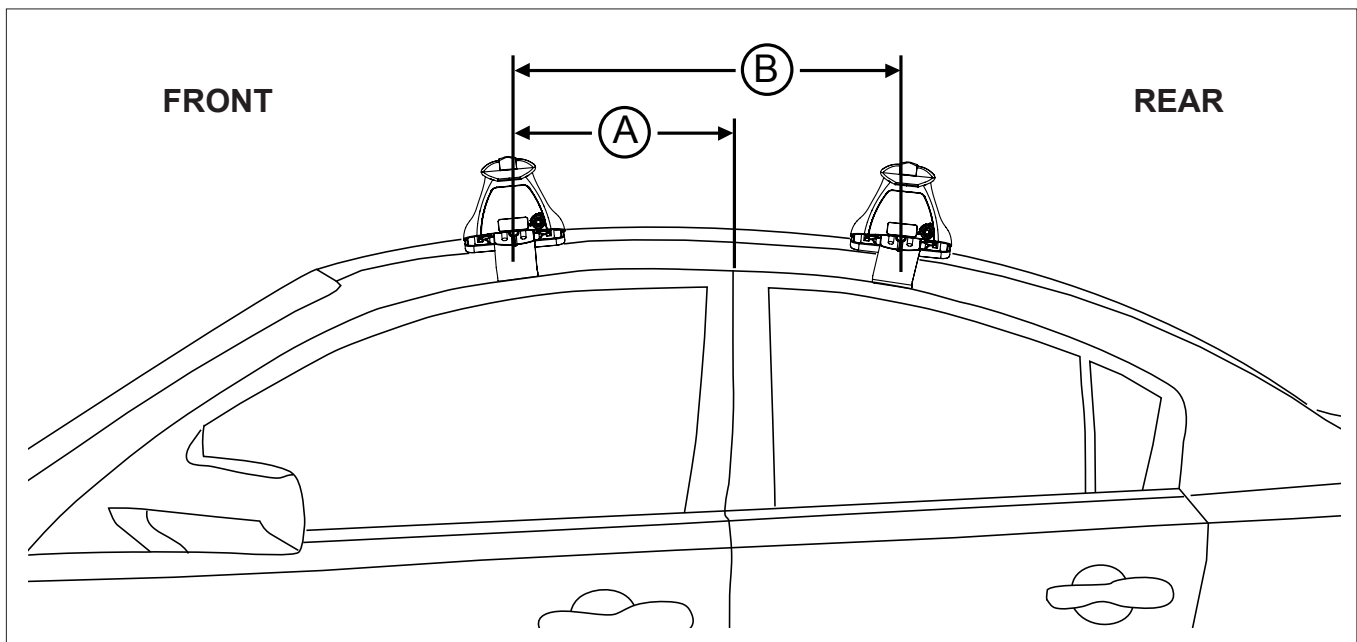
DK387 Rhino-Rack VA, DA, Euro & HD crossbar instruction

Measurement A: CENTRE of door jamb to CENTRE arrow of leg foot plate.

Measurement B: CENTRE of Front leg foot plate arrow to CENTRE of Rear leg foot plate arrow.

Carrying capacity: Roof rack is rated to 75kg. Please refer to manufacturers handbook for your vehicles maximum roof load capacity. Always use the lower of the two figures.

If your vehicle is not listed on this fitting instruction please refer to your countries Rhino-Rack web site for the latest information.



VEHICLE	Date		Measurement A	Measurement B	Load Rating (includes racks 5kg/ 11lbs)
Mazda 6 4dr sedan GJ	12/12-	USA 13-	200mm / 7,7/8"	700mm / 27,9/16"	75kg / 165lbs