



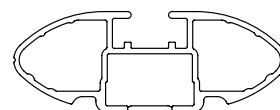
Rhino-Rack 2500 FMP Series - DK290 instruction

CONTROLLED

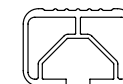
Load Rating: The roof rack is rated to 75kg/165lbs. Please refer to manufacturers handbook for your vehicles maximum roof load capacity. Always use the lower of the two figures.

If your vehicle is not listed on this fitting instruction please refer to your countries Rhino-Rack web site for the latest information.

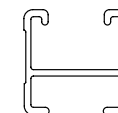
CROSSBAR IDENTIFICATION



VA crossbar



EURO crossbar



HD crossbar

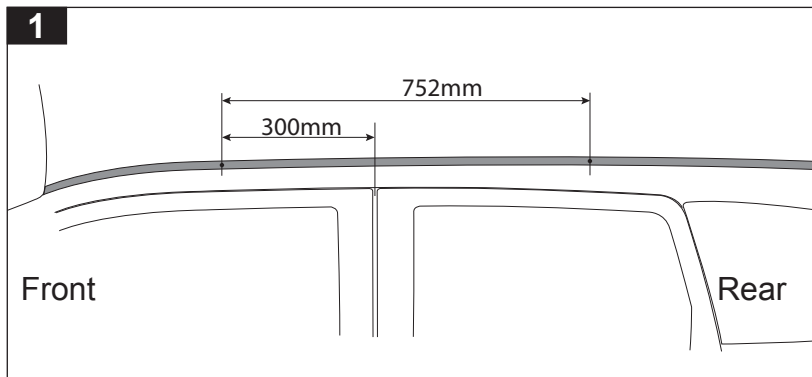
Vehicle	Date	Crossbar	FRONT CROSSBAR						REAR CROSSBAR					
			Pad	M6 Stud length (mm)	M6 Screw length (mm)	Measurement strip length per side	Measurement strip length per side	Measurement Distance (x)	Pad	M6 Stud length (mm)	M6 Screw length (mm)	Measurement strip length per side	Measurement strip length per side	Measurement Distance (x)
Mitsubishi Outlander ZJ/ZK	12-	1375mm	M473	30	40	126mm	71mm	1015mm / 39,31/32"	M473	30	40	101mm	46mm	965mm / 38"
Toyota 86 Subaru BRZ	12-	1180mm	M473	30	40	185mm	130mm	938mm / 36,59/64"	M473	30	40	169mm	114mm	906mm / 35,43/64"



Rhino-Rack 2500 FMP Series - DK290 instruction

CONTROLLED

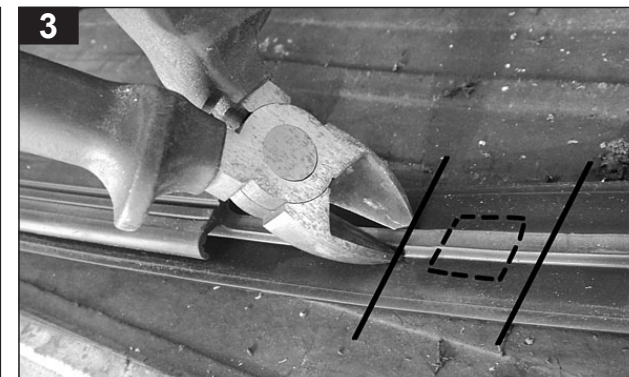
Mitsubishi Outlander ZJ/ZK only:



Roof ditch moulding requires holes to expose the roof rack fixing points. Mark points at measurements shown above.



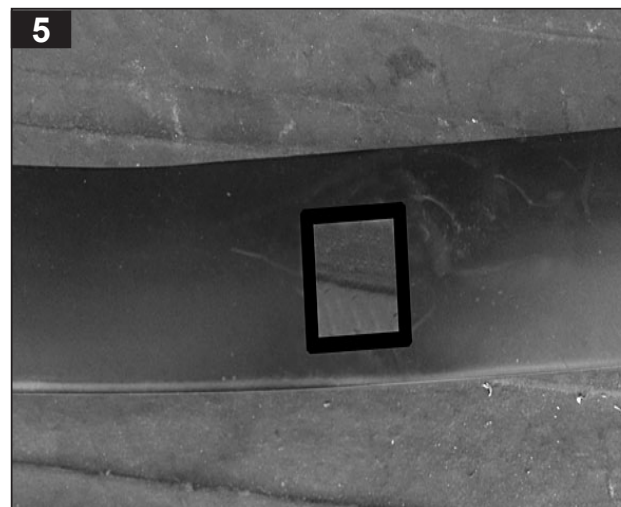
Front left hole position shown. Remove roof ditch mould.



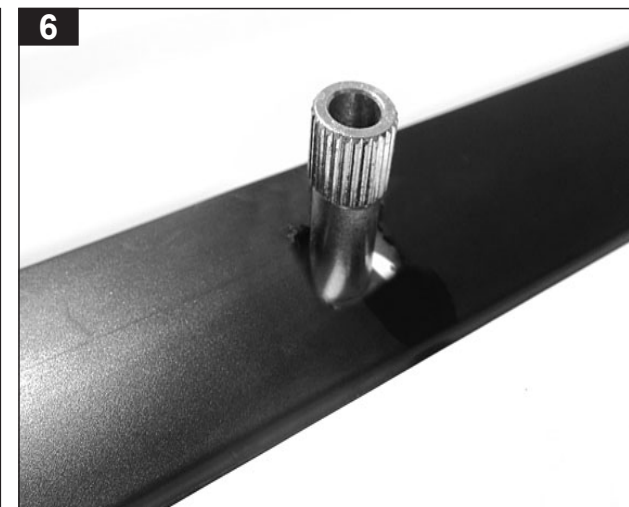
Turn roof ditch mould upside down. The underside rib has metal inside. Use side cutters to cut either side of hole position.



Trim excess rubber.



Cut hole's in each roof ditch mould approximately 12mm square or with enough clearance to fit over the stud as shown in Step 6.

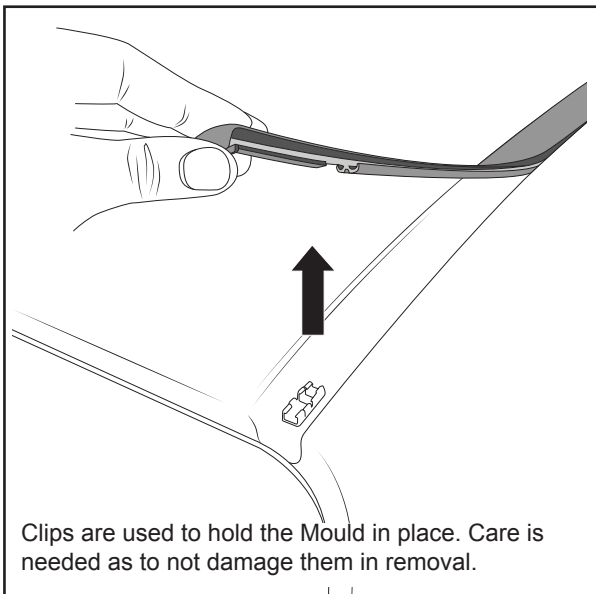
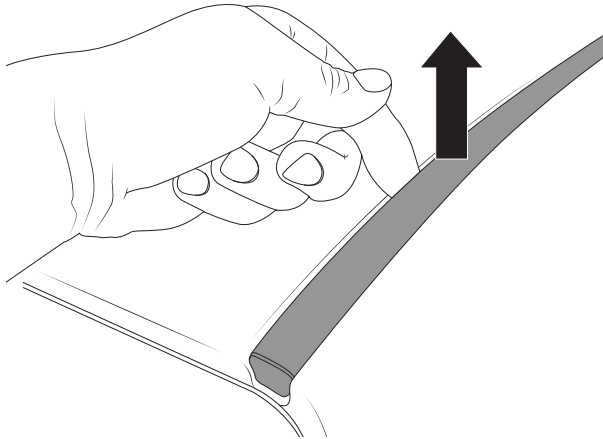


Re-install left & right roof ditch mould. Fasten all four studs.



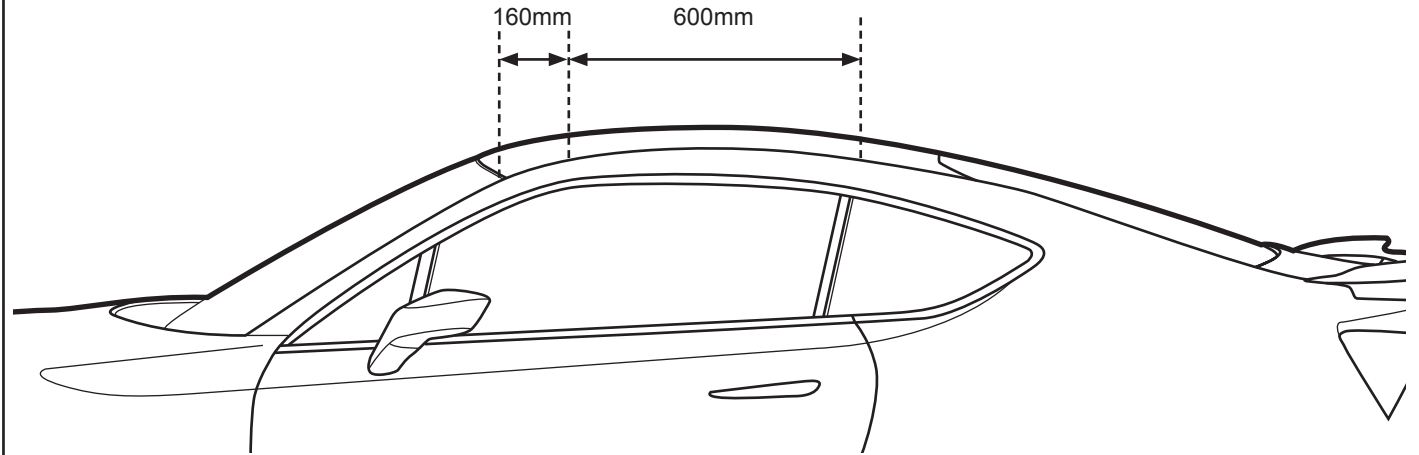
Toyota 86 / Subaru BRZ only:

- 1** Move to the roof of the vehicle. Carefully pry out the Ditch Mould with a finger near the windshield.



Clips are used to hold the Mould in place. Care is needed as to not damage them in removal.

- 2** Measure 160mm back from the windshield and create a reference in the ditch. From this point measure back a further 600mm and create another reference point.



- 3** Place the RDM01 Brackets centred at the reference marks previously made. Spot drill all marked holes in the ditch. Be sure to use a drill stop.

Follow steps 3 onward in the RDM01 Generic Instructions (document number R877).

