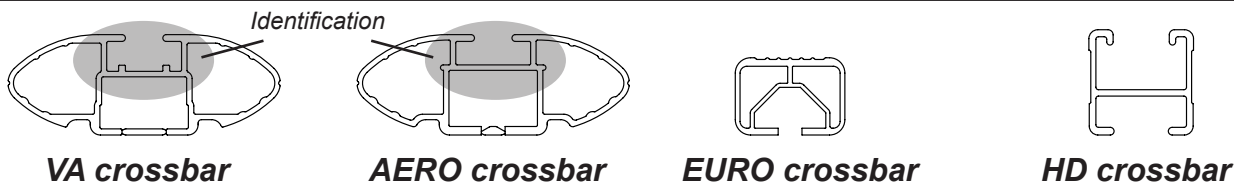




DK035 Rhino-Rack VA, Aero, Euro & HD crossbar instruction

IDENTIFICATION CHART



Vehicle	Date	Crossbar	FRONT CROSSBAR					REAR CROSSBAR				
			Front Right Pad/ Clamp	Front Left Pad/ Clamp	Measurement strip length per side	Measurement strip length per side	Measurement Distance (x)	Foot plate arrow direction	Rear Right Pad/ Clamp	Rear Left Pad/ Clamp	Measurement strip length per side	Measurement strip length per side
Toyota Corolla 5dr hatch	12/01-04/07	1180mm	M367 114500	195mm	140mm	958mm / 37,23/32"	OUT	M367 114490	198mm	143mm	964mm / 37,61/64"	OUT
			Pad Arrow FORWARD					Pad Arrow FORWARD				
Mitsubishi Lancer 4dr sedan	06/02-09/07	1180mm	M367 114500	200mm	145mm	968mm / 38,7/64"	OUT	M367 114490	173mm	118mm	914mm / 35,63/64"	OUT
			Pad Arrow FORWARD					Pad Arrow FORWARD				



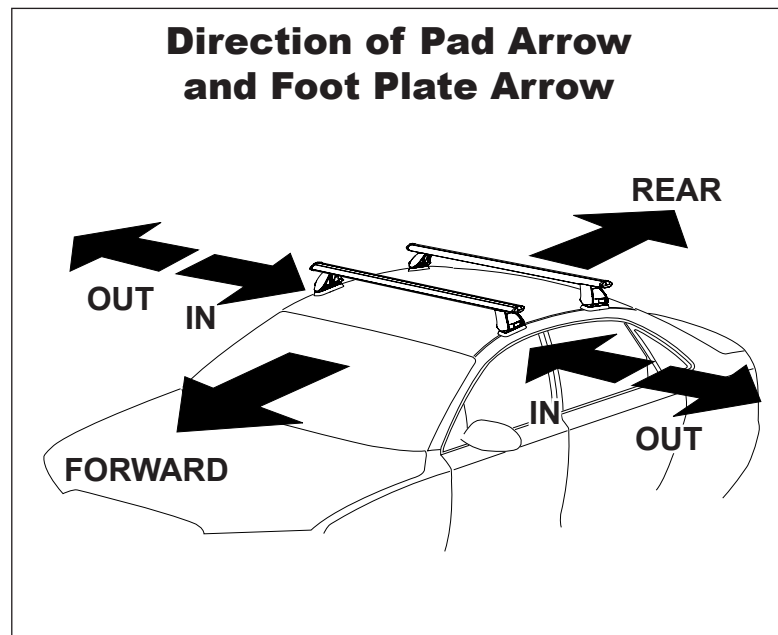
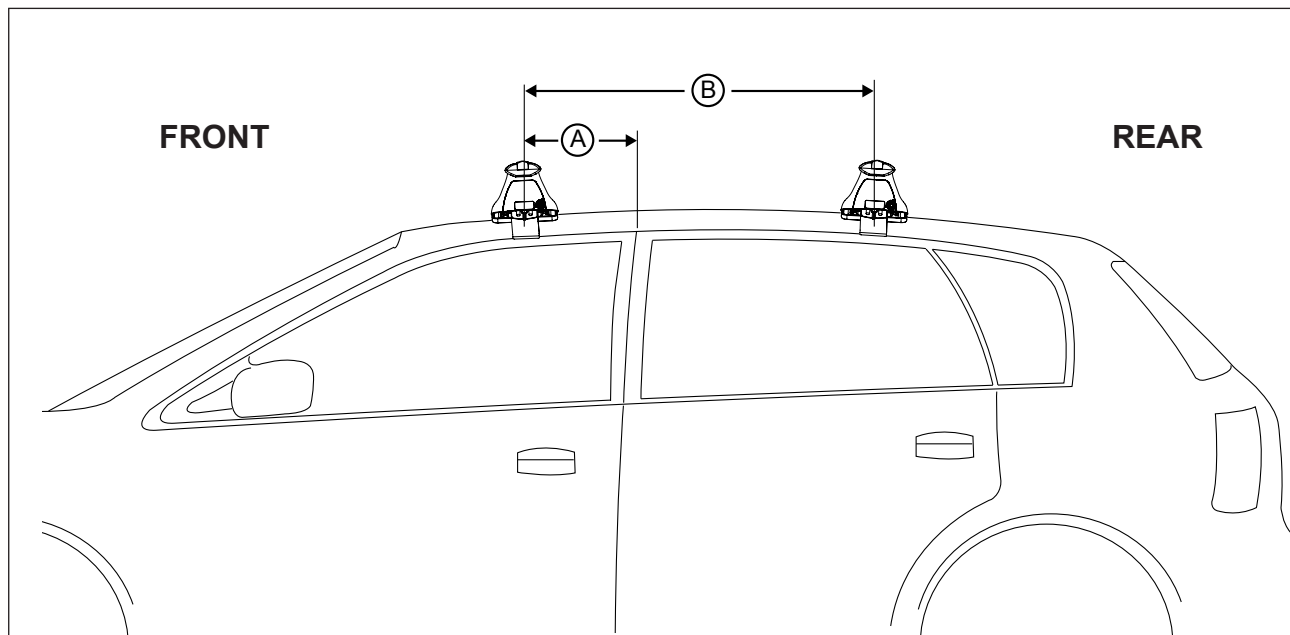
DK035 Rhino-Rack VA, Aero, Euro & HD crossbar instruction

Measurement A: CENTRE of door jamb to CENTRE arrow of leg foot plate.

Measurement B: CENTRE of Front leg foot plate arrow to CENTRE of Rear leg foot plate arrow.

Carrying capacity: Roof rack is rated to 75kg. Please refer to manufacturers handbook for your vehicles maximum roof load capacity. Always use the lower of the two figures.

If your vehicle is not listed on this fitting instruction please refer to your countries Rhino-Rack web site for the latest information.



VEHICLE	Date	Measurement A	Measurement B	Load Rating (includes racks 5kg/11lbs)
Toyota Corolla 5dr hatch	12/01 - 04/07	250mm / 9,27/32"	700mm / 27, 9/16"	75kg / 165lbs
Mitsubishi Lancer 4dr sedan	06/02 - 09/07	300mm / 11,13/16"	700mm / 27, 9/16"	75kg / 165lbs