

# RHINO-RACK

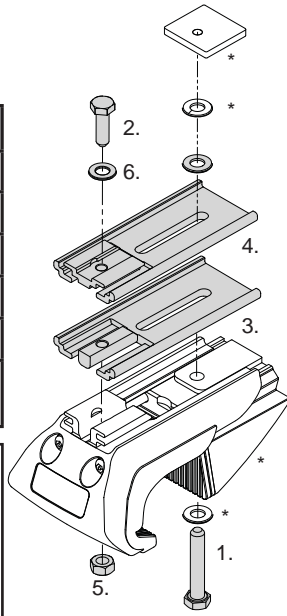
## CXBS2

**CONTROLLED**

Item	Component	Qty	Part No.
1	M8 x 35mm Hex	2	B102
2	M6 x 30mm Hex	2	B099
3	Rails Spacer No.1	2	M080
4	Rails Spacer No.2	2	M081
5	M6 Nyloc Nuts	2	N013
6	M6 x 12.5mm Flat Washer	2	W003

**Note:**  
CXBS2 is intended for use with CXB leg kits.  
For detailed installation instructions, refer to CXB instructions (RR61).

\*Included in CXB leg kit hardware.



Issue: 01 Document No: R1359

Prepared: Kayle Everett

# RHINO-RACK

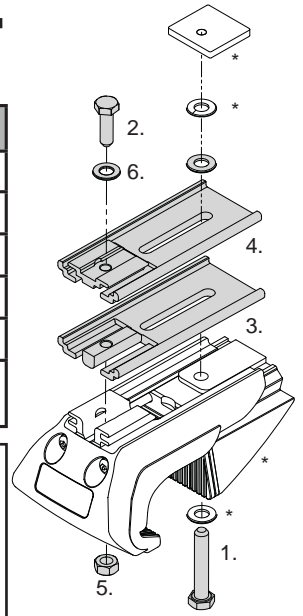
## CXBS2

**CONTROLLED**

Item	Component	Qty	Part No.
1	M8 x 35mm Hex	2	B102
2	M6 x 30mm Hex	2	B099
3	Rails Spacer No.1	2	M080
4	Rails Spacer No.2	2	M081
5	M6 Nyloc Nuts	2	N013
6	M6 x 12.5mm Flat Washer	2	W003

**Note:**  
CXBS2 is intended for use with CXB leg kits.  
For detailed installation instructions, refer to CXB instructions (RR61).

\*Included in CXB leg kit hardware.



Issue: 01 Document No: R1359

Prepared: Kayle Everett

# RHINO-RACK

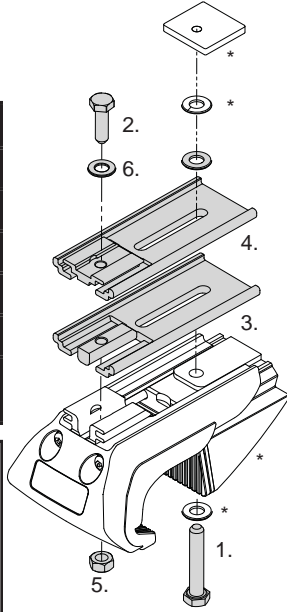
## CXBS2

**CONTROLLED**

Item	Component	Qty	Part No.
1	M8 x 35mm Hex	2	B102
2	M6 x 30mm Hex	2	B099
3	Rails Spacer No.1	2	M080
4	Rails Spacer No.2	2	M081
5	M6 Nyloc Nuts	2	N013
6	M6 x 12.5mm Flat Washer	2	W003

**Note:**  
CXBS2 is intended for use with CXB leg kits.  
For detailed installation instructions, refer to CXB instructions (RR61).

\*Included in CXB leg kit hardware.



Issue: 01 Document No: R1359

Prepared: Kayle Everett

# RHINO-RACK

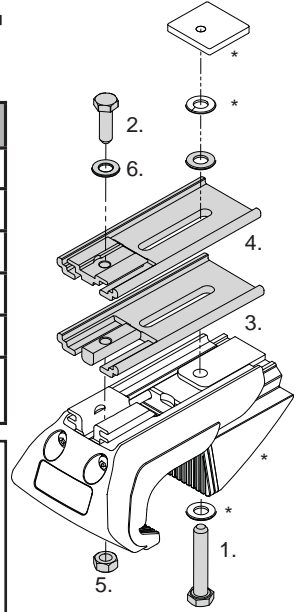
## CXBS2

**CONTROLLED**

Item	Component	Qty	Part No.
1	M8 x 35mm Hex	2	B102
2	M6 x 30mm Hex	2	B099
3	Rails Spacer No.1	2	M080
4	Rails Spacer No.2	2	M081
5	M6 Nyloc Nuts	2	N013
6	M6 x 12.5mm Flat Washer	2	W003

**Note:**  
CXBS2 is intended for use with CXB leg kits.  
For detailed installation instructions, refer to CXB instructions (RR61).

\*Included in CXB leg kit hardware.



Issue: 01 Document No: R1359

Prepared: Kayle Everett

# RHINO-RACK

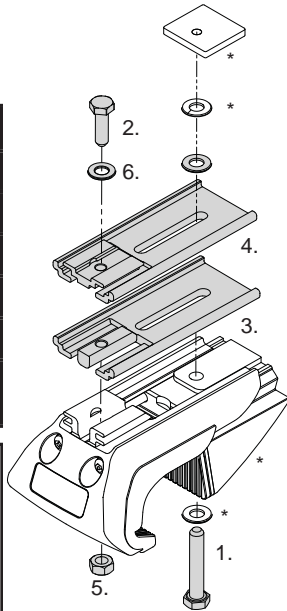
## CXBS2

**CONTROLLED**

Item	Component	Qty	Part No.
1	M8 x 35mm Hex	2	B102
2	M6 x 30mm Hex	2	B099
3	Rails Spacer No.1	2	M080
4	Rails Spacer No.2	2	M081
5	M6 Nyloc Nuts	2	N013
6	M6 x 12.5mm Flat Washer	2	W003

**Note:**  
CXBS2 is intended for use with CXB leg kits.  
For detailed installation instructions, refer to CXB instructions (RR61).

\*Included in CXB leg kit hardware.



Issue: 01 Document No: R1359

Prepared: Kayle Everett

# RHINO-RACK

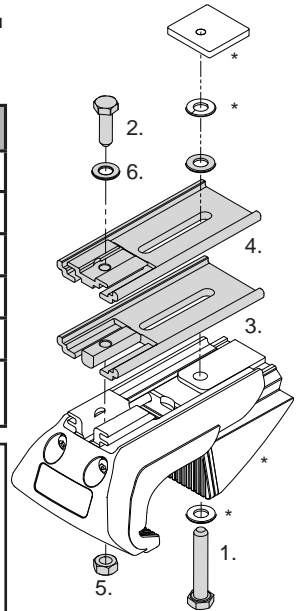
## CXBS2

**CONTROLLED**

Item	Component	Qty	Part No.
1	M8 x 35mm Hex	2	B102
2	M6 x 30mm Hex	2	B099
3	Rails Spacer No.1	2	M080
4	Rails Spacer No.2	2	M081
5	M6 Nyloc Nuts	2	N013
6	M6 x 12.5mm Flat Washer	2	W003

**Note:**  
CXBS2 is intended for use with CXB leg kits.  
For detailed installation instructions, refer to CXB instructions (RR61).

\*Included in CXB leg kit hardware.



Issue: 01 Document No: R1359

Prepared: Kayle Everett