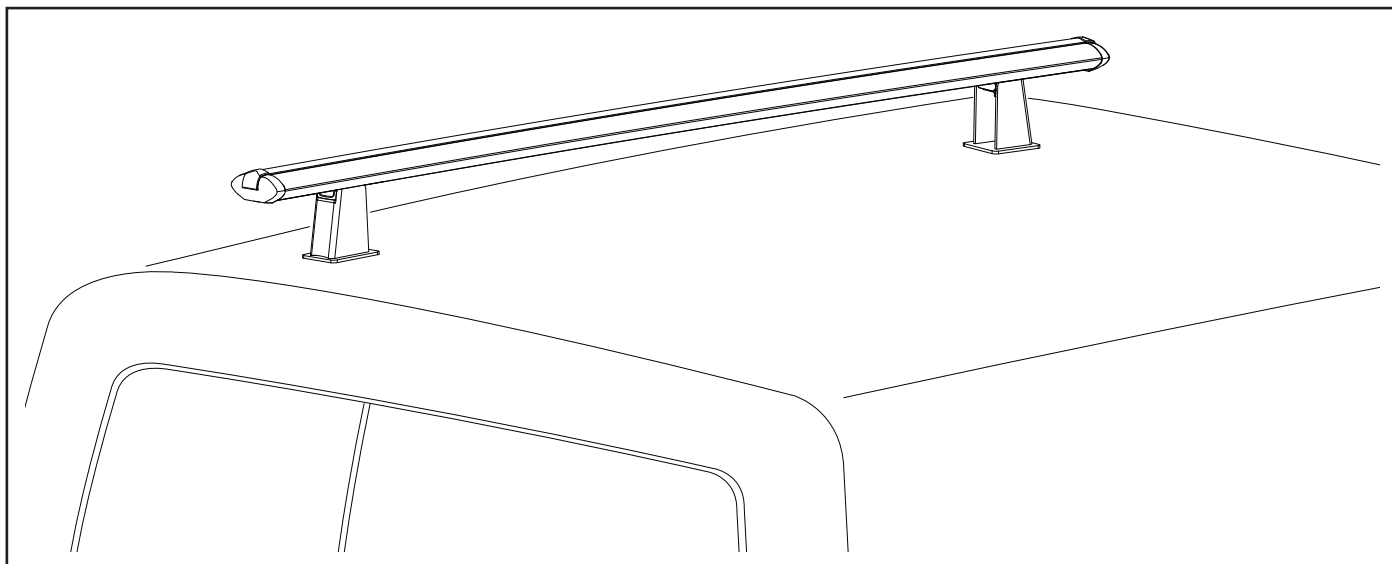




RHINO-RACK

ARB-Aero

Important: Please read these instructions carefully prior to installation.
Please refer to your fitting instruction to ensure that the roof racks are installed in the correct locations.
Check the contents of kit before commencing fitment and report any discrepancies.
Place these instructions in the vehicle's glove box after installation is complete.



Care Instruction: Clean ute posts prior to installation of the Aero cross bar.

Important Information

Maximum carrying capacity: 50kg per cross bar.

Recommendations:

It is essential that all bolt connections be checked after driving a short distance when gutter mount legs and cross bars are first installed. Bolt connections should be checked again at regular intervals (probably once a week is enough, depending on road conditions, usage, loads and distances travelled). You should also check the cross bars each time they are re-fitted. Make sure to fasten your load securely. Ensure all loads are evenly distributed and that the centre of gravity is kept as low as possible.

Use only non-stretch fastening ropes or straps.

Sensitivity to cross winds, behaviour in curves and braking.

The handling characteristics of the vehicle, changes when you transport a load on the roof. For safety reasons, we recommend you exercise extreme care when transporting wind-resisting loads; special consideration must be taken into account when braking.

Please remove cross bars & legs when putting vehicle through an automatic car wash.

Load ratings:

Maximum permissible load is 50kg (include the weight of the cross bar and legs, 5kg). When cross bars are to be used in off-road conditions, please build a safety factor of 1.5 into this load limit - 33kg for off-road use. Although the cross bars are tested and approved to AS1235-2000, Australian road conditions can be much more rigorous. However, increasing the number of cross bars does not increase the vehicles maximum permissible roof loading.

Note for Dealers and Fitters:

It is your responsibility to ensure these fitting instructions are given to the end user or client

Rhino-Rack, 22 Hanson Pl, Eastern Creek
NSW 2766, Australia
(02) 8846 1900
rhinorack.com.au

Document No: RR-388

Prepared By: Craig Jones

Authorised By: Nicholas Clarke

Issue No: 02

Issue Date: 12/12/2018

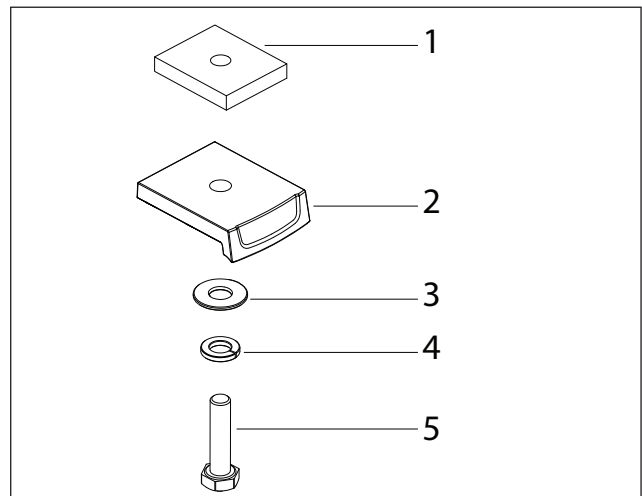
These instructions remain the property of Rhino-Rack Australia Pty. Ltd. and may not be used or changed for any other purpose than intended.

ARB Aero

Parts List

Maximum carrying capacity: 50kg per cross bar.

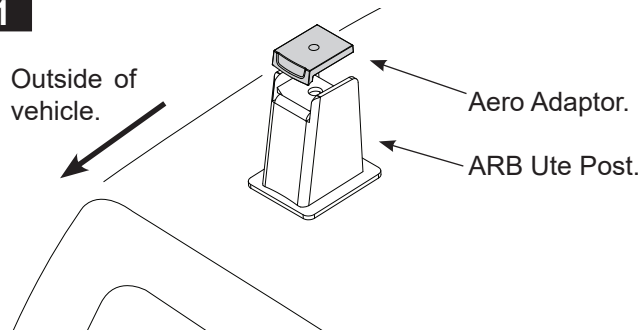
Item	Component Name	Qty	Part No.
1	M6 Rectangular Nut	2	N068
2	Aero Cross Bar Adaptor	2	M458
3	M6 x 16mm Flat Washer	2	W031
4	M6 Spring Washer	2	W004
5	M6 x 25mm Hex Bolt	2	B067
6	Fitting Instruction	1	RS-388



Tools Required:

10mm ring spanner. Pliers.
Tape measure. Metal file.
Rubber mallet.

1



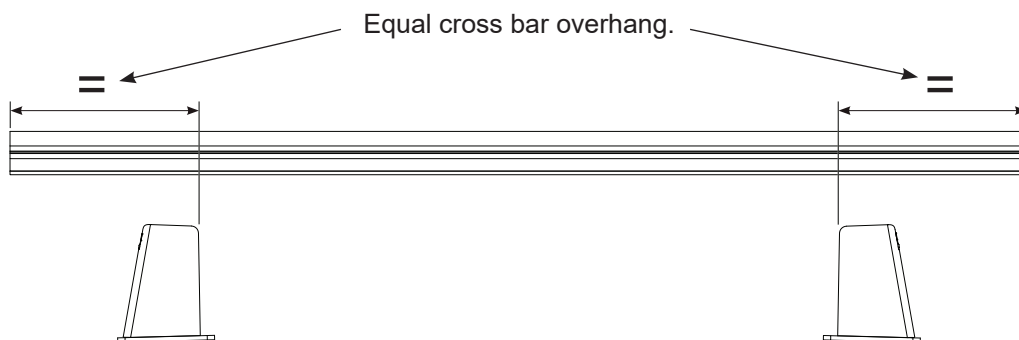
Aero cross bar adaptor:

Sit the aero cross bar adaptor on top of each ute post. Locate the small spigot on underside of adaptor with the hole in ute post. DO NOT attach the M6 bolt at this stage.

2

Cross bar overhang:

Lay the cross bar on top of ute posts/adaptors. Measure each side to establish equal overhang distance. This is necessary to see if the underside slot in the cross bar needs to be lengthened.

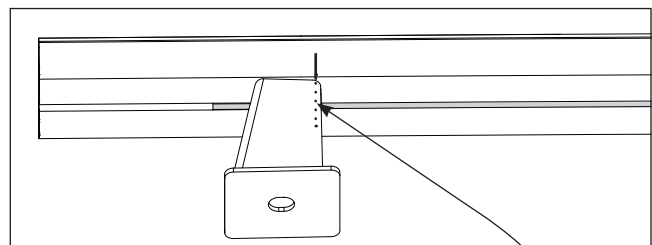
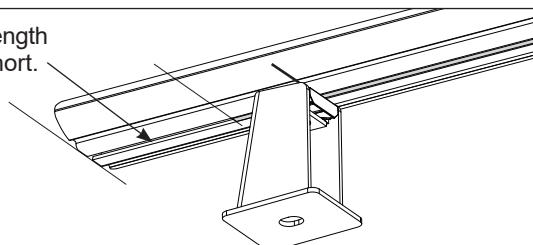


3

Underside of cross bar slot length:

When the cross bar is sitting on the posts evenly spaced side to side, check the slot length in the underside of the cross bar. Depending on how much overhang there is (as shown in image a.) the slot length may need to be increased.

a. Slot length too short.

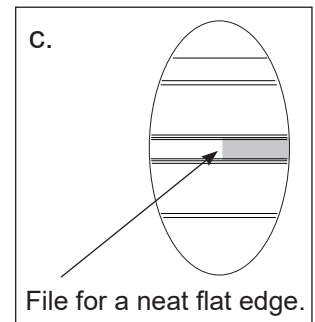
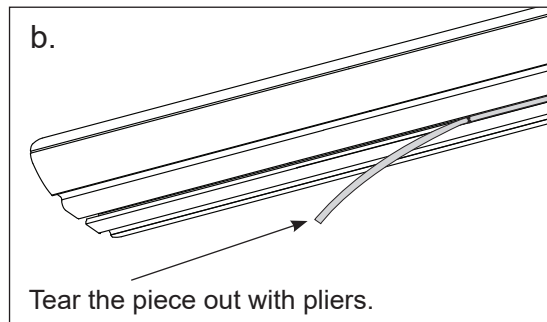
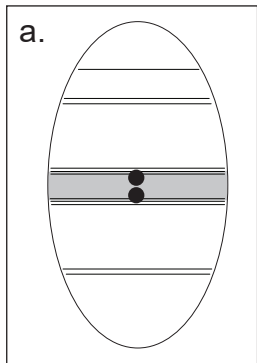
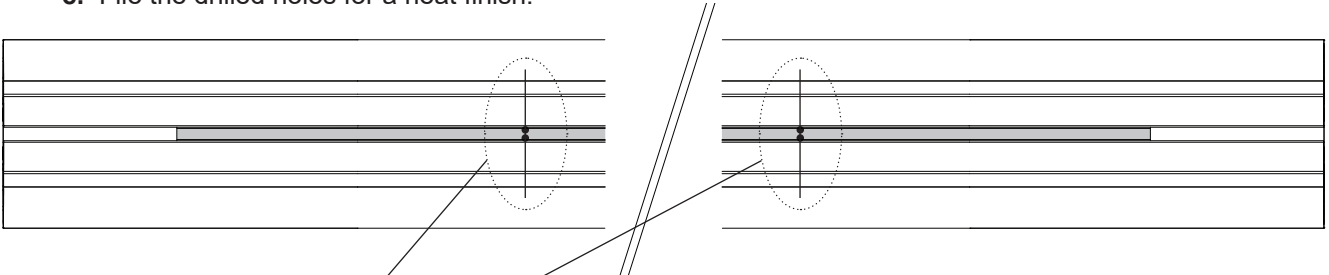


b. Mark a line on underside of the cross bar 2-5mm inside of ute post. This is where you will drill 2 small holes to enable tearing out of the aluminium and therefore increasing slot length.

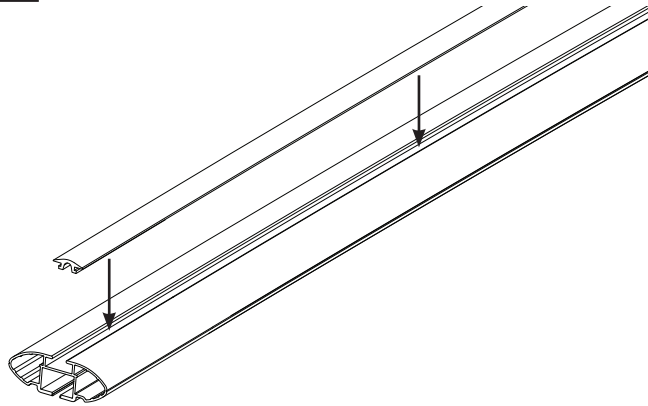
ARB Aero

4 Remove tearout:

- Remove the cross bar. Drill 2 holes of $\text{\O}3\text{mm}$ on the lines marked.
- Tear the piece out using pliers.
- File the drilled holes for a neat finish.



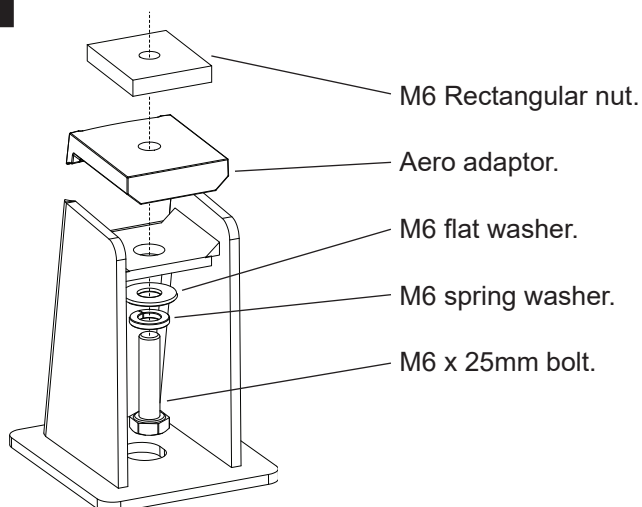
5



Cross bar rubber:

Insert the cross bar rubber buffer strip into the top of the cross bar.

6



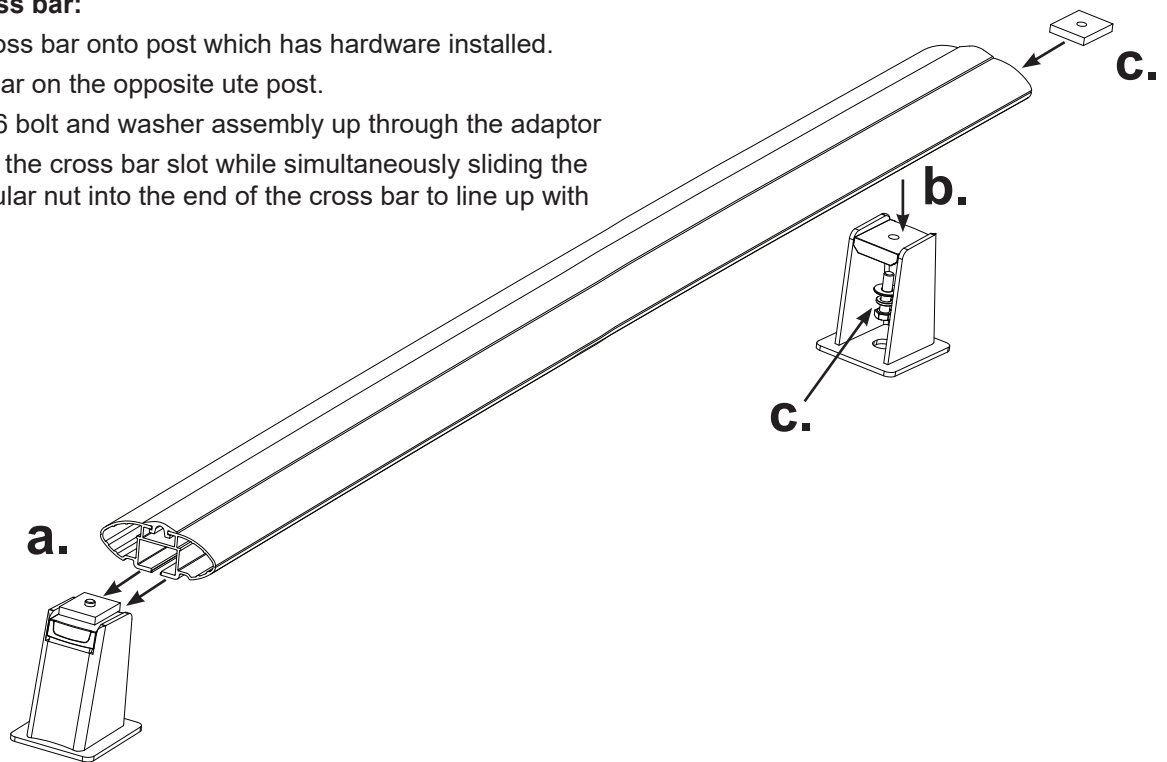
Attach hardware:

Attach hardware to one ute post only. You will need to attach hardware for the opposing side with the cross bar in place.

ARB Aero

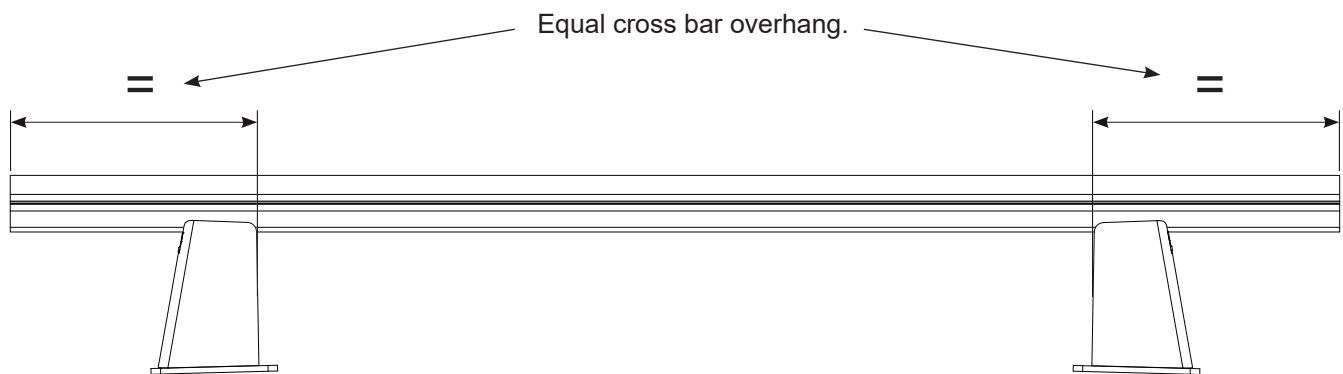
7 Attach cross bar:

- Slide cross bar onto post which has hardware installed.
- Sit the bar on the opposite ute post.
- Feed M6 bolt and washer assembly up through the adaptor and into the cross bar slot while simultaneously sliding the rectangular nut into the end of the cross bar to line up with M6 bolt.



8 Secure cross bar:

Measure to check cross bar overhang is equal both sides. Re-adjust if required. Tension the M6 bolts to **4-5 Nm**. Do not over tighten.



9 Attach end caps:

Fit the end caps into the cross bar. A rubber mallet may be needed to knock them in place.

