

LED Strobe Lights – Model 407

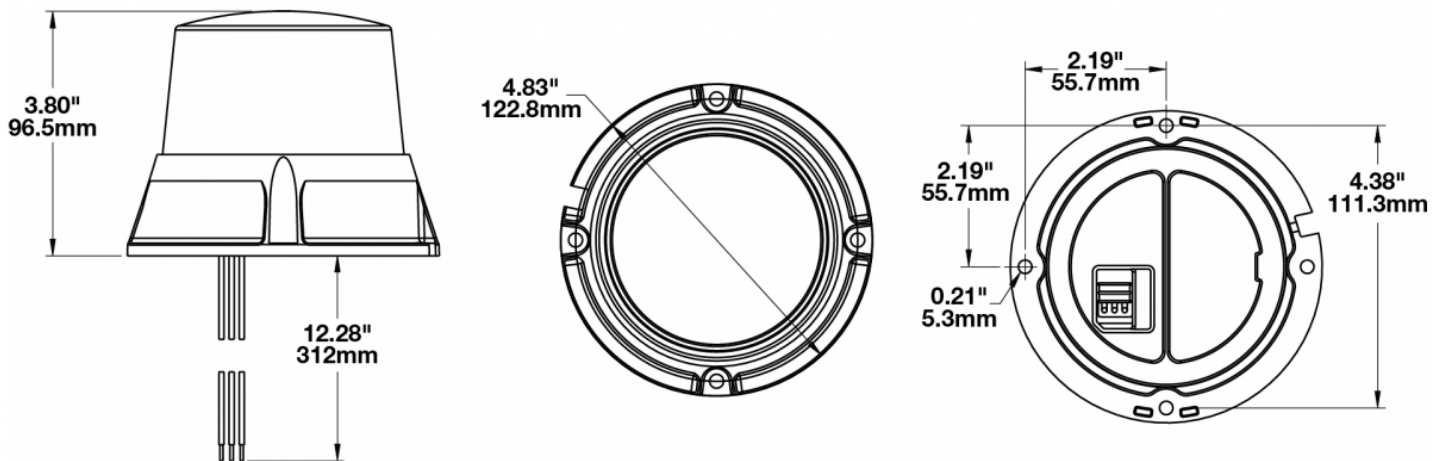
0646571

Product Information

Description	Model 407 - 12/80V LED Strobe Light - Green
Height	96.52 mm / 3.8 in
Width	121.92 mm / 4.8 in
Depth	121.92 mm / 4.8 in
Shape	Round
Outer Lens Material	Polycarbonate
Outer Lens Color	Green
Housing Color	Black
Mounting Hardware Description	(x4) #8-16 x 3/4 Mounting Screw
Minimum Operating Temperature	-40 °C
Maximum Operating Temperature	60 °C
Connector or Wiring	12" Leads
Shipping Weight	1.93 lbs / 0.88 kgs



Product Dimensions



Electrical Specifications



Input Voltage	12-80V DC
Operating Voltage	9-110V DC
Red Wire	Postive
Black Wire	Negative
Yellow Wire	Mode
Current Draw	0.920A @ 12V DC 0.480A @ 24V DC 0.320A @ 36V DC 0.250A @ 48V DC 0.180A @ 72V DC

Photometric Specifications



Candela Output	560
Beam Pattern(s)	Warning - Strobe
Flash Rate 1	Beacon
Flash Rate 2	Quadruple 480
Flash Rate 3	Fast 540
Flash Rate 4	Double 240
Flash Rate 5	Burst 300
Flash Rate 6	Steady Flash 60

Additional Specifications



IP Rating	IP69K
Warranty	Please refer to the Warranty Statement which is available for download on the website
Certification	SAEJ845, ECE Reg 10 & 65
Pack Quantity	1