

# LED Strobe Lights – Model 406

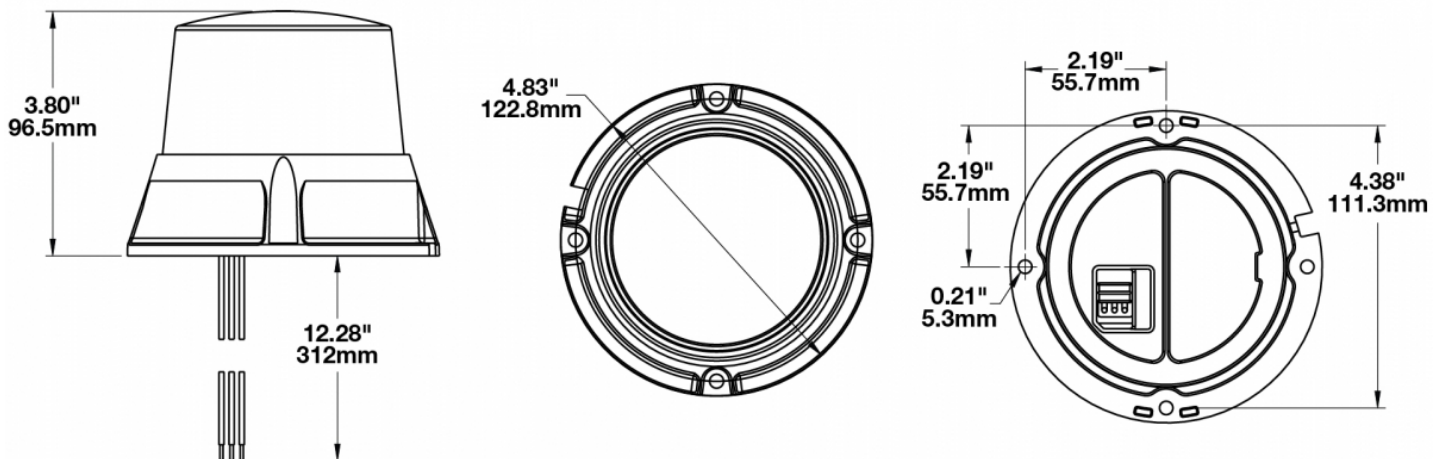
## 0646541

### Product Information

<b>Description</b>	Model 406 - 12/80V LED Strobe Light - Red
<b>Height</b>	96.52 mm / 3.8 in
<b>Width</b>	121.92 mm / 4.8 in
<b>Depth</b>	121.92 mm / 4.8 in
<b>Shape</b>	Round
<b>Outer Lens Material</b>	Polycarbonate
<b>Outer Lens Color</b>	Red
<b>Housing Material</b>	Polycarbonate
<b>Housing Color</b>	Black
<b>Mounting Hardware Description</b>	(x4) #8-16 x 3/4 Screw
<b>Minimum Operating Temperature</b>	-40 °C
<b>Maximum Operating Temperature</b>	60 °C
<b>Connector or Wiring</b>	12" Leads
<b>Shipping Weight</b>	1.31 lbs / 0.59 kgs



### Product Dimensions



## Electrical Specifications



<b>Input Voltage</b>	12-80V DC
<b>Operating Voltage</b>	9-110V DC
<b>Red Wire</b>	Positive
<b>Black Wire</b>	Negative
<b>Yellow Wire</b>	Mode
<b>Current Draw</b>	0.200A @ 12V DC 0.140A @ 24V DC 0.090A @ 36V DC 0.080A @ 48V DC 0.060A @ 72V DC

## Photometric Specifications



<b>Candela Output</b>	280
<b>Beam Pattern(s)</b>	Warning - Rotating Warning Warning - Strobe
<b>Flash Rate 1</b>	Beacon
<b>Flash Rate 2</b>	Quadruple 480
<b>Flash Rate 3</b>	Fast 540
<b>Flash Rate 4</b>	Double 240
<b>Flash Rate 5</b>	Burst 300
<b>Flash Rate 6</b>	Steady Flash 60

## Additional Specifications



<b>IP Rating</b>	IP69K
<b>Warranty</b>	Please refer to the Warranty Statement which is available for download on the website
<b>Certification</b>	SAEJ845, ECE Reg 10
<b>Pack Quantity</b>	1