

LED Work Light – Model 4415

0551753

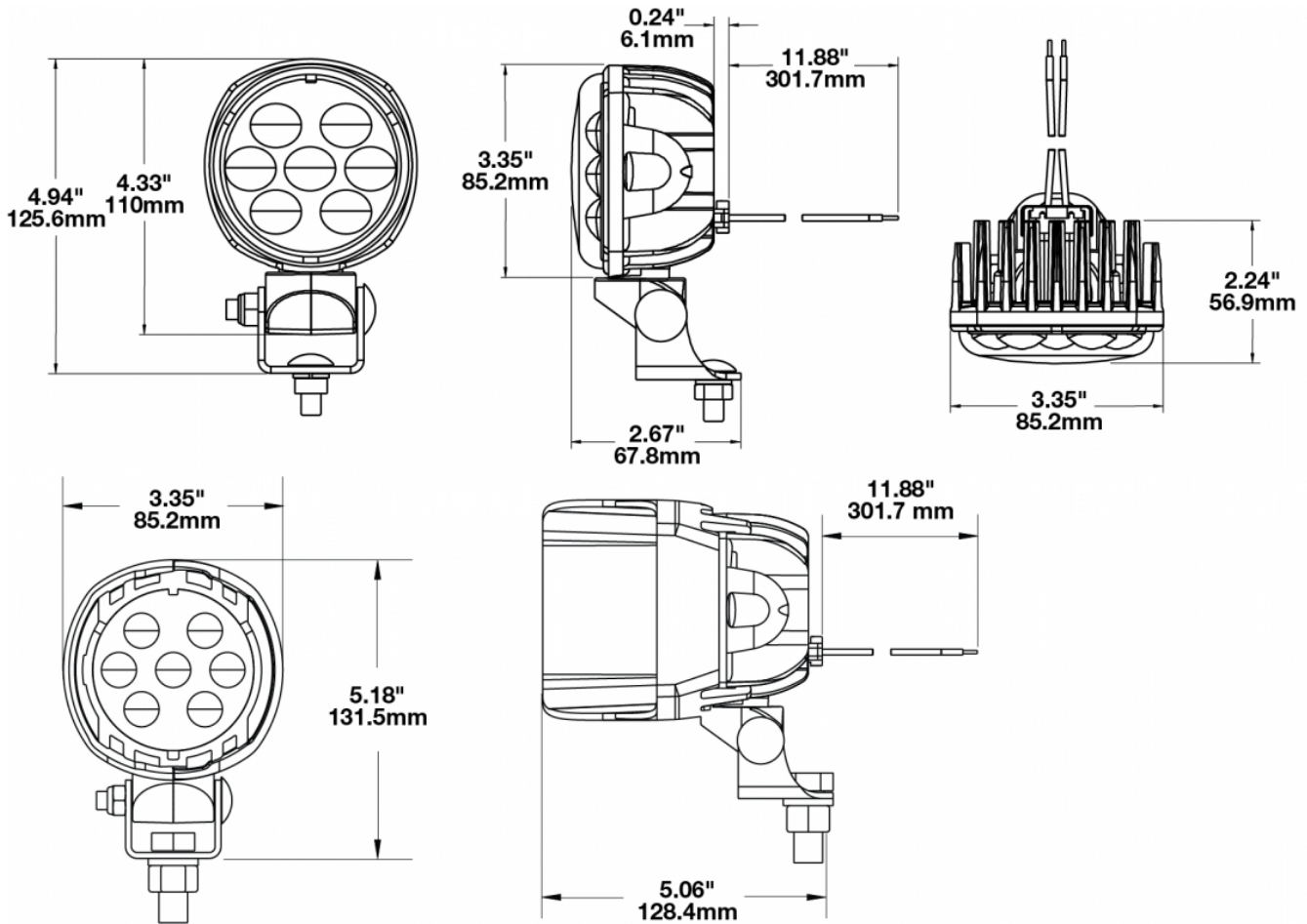
Product Information



Description	Model 4415 - 12/24V LED Worklight - Spot Beam (Mirror Kit - Left & Right)
Height	110.00 mm / 4.33 in
Width	85.20 mm / 3.35 in
Depth	21.10 mm / 0.83 in
Shape	Round
Housing Material	Die-Cast Aluminum
Housing Color	Black
Mounting Hardware Description	(x2) 0.500-13 x Bracket and Swivel
Minimum Operating Temperature	-40 °C
Maximum Operating Temperature	85 °C
Connector or Wiring	Packard# 12084167
Mating Connector	Packard# 12059183
Product Weight	1.00 lbs / 0.45 kgs
Shipping Weight	2.30 lbs / 1.04 kgs
Additional Information	Kit includes 2 lights and necessary mounting hardware.



Product Dimensions



Electrical Specifications

Input Voltage	12-24V AC
Operating Voltage	10-32V AC
Red Wire	Positive
Black Wire	Negative
Current Draw	2.2A @ 12V AC 1.1A @ 24V AC

Photometric Specifications



Raw Lumen Output	2,450
Effective Lumen Output	1,350
Nominal LED Color Temperature	5000 K
Beam Pattern(s)	Forward Lighting - Spot

Model 4415 - Spot Beam



Beam Measurements - 1 Lux

Lamp Mounting: 2.15m High -10° Down

Additional Specifications



IP Rating	IP67
Warranty	Please refer to the Warranty Statement which is available for download on the website
Pack Quantity	2

Installation & Application Information



This kit is intended to be mounted on the side mirrors or forward of the driver with the shroud (snoot) oriented to block the light from the driver / operator's eyes, providing maximum visibility rearward.

The kit can also be mounted elsewhere on the truck, such as on the back or side of a sleeper cab, to provide additional lighting.