

# LED Auxiliary Lights – Model TS4000

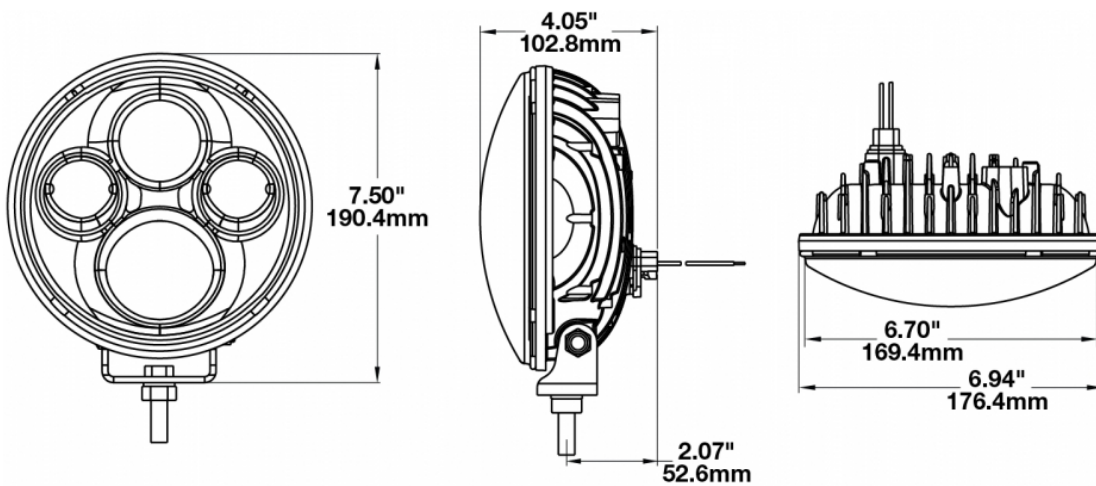
## 0551693

### Product Information

<b>Description</b>	Model TS4000 - 12/24V LED Driving Light (8710 Pedestal Mount) - Black
<b>Height</b>	177.80 mm / 7 in
<b>Width</b>	177.80 mm / 7 in
<b>Depth</b>	99.06 mm / 3.9 in
<b>Shape</b>	Round
<b>Outer Lens Material</b>	Polycarbonate
<b>Outer Lens Color</b>	Clear
<b>Housing Color</b>	Black
<b>Bezel Color</b>	Black
<b>Mounting Hardware Description</b>	(x1) 3/8"-16 x UNC
<b>Minimum Operating Temperature</b>	-40 °C
<b>Maximum Operating Temperature</b>	65 °C
<b>Connector or Wiring</b>	Integral Deutsch DT04-2P
<b>Mating Connector</b>	DT06-2S
<b>Product Weight</b>	2.20 lbs / 1 kgs
<b>Shipping Weight</b>	7.20 lbs / 3.27 kgs



### Product Dimensions

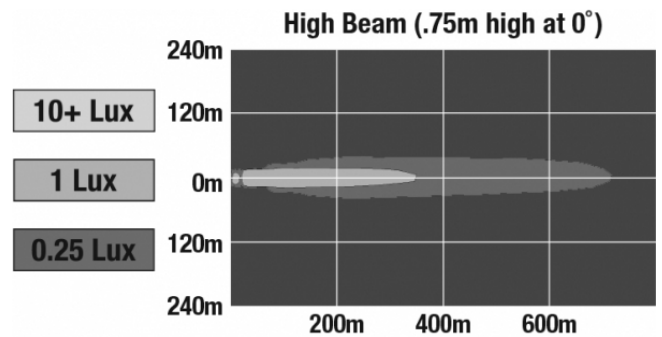


## Electrical Specifications

<b>Input Voltage</b>	12-24V DC
<b>Operating Voltage</b>	9-32V DC
<b>Black Wire</b>	Ground
<b>Red Wire</b>	Positive
<b>Current Draw</b>	4.80A @ 12V DC 2.50A @ 24V DC

## Photometric Specifications

<b>Raw Lumen Output</b>	3,300 (High Beam)
<b>Effective Lumen Output</b>	1,440 (High Beam)
<b>Candela Output</b>	133,000
<b>Nominal LED Color Temperature</b>	5000 K
<b>Beam Pattern(s)</b>	Forward Lighting - Driving Forward Lighting - High Beam (ECE)



## Additional Specifications

<b>IP Rating</b>	IP67
<b>Warranty</b>	Please refer to the Warranty Statement which is available for download on the website
<b>Certification</b>	ECE Reg 112
<b>Pack Quantity</b>	2