

# LED Headlight – Model 8631 Evolution

## 0551641

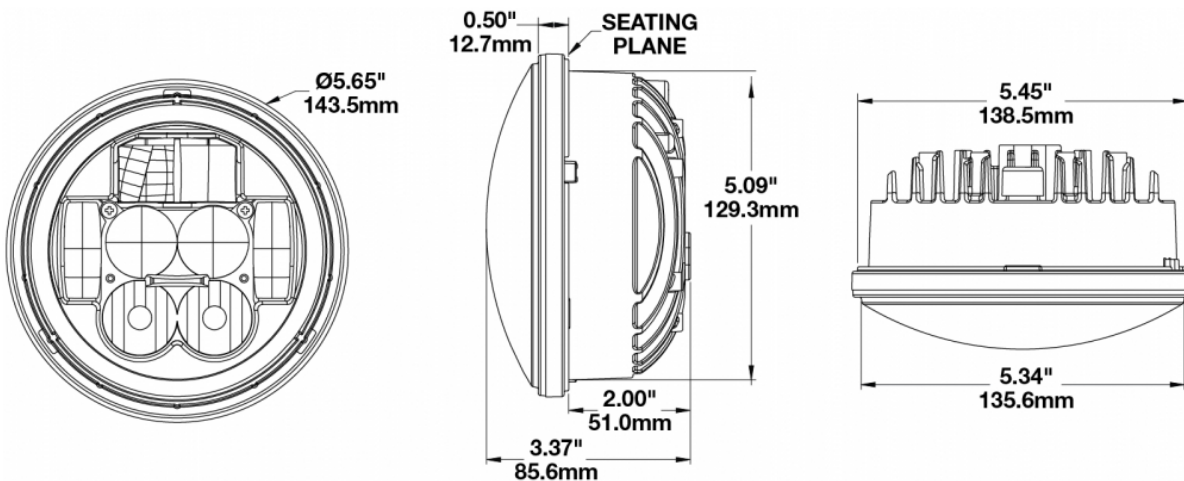


### Product Information

<b>Description</b>	Model 8631 EVO - 12/24V LED Headlight Insert
<b>Height</b>	142.24 mm / 5.6 in
<b>Width</b>	142.24 mm / 5.6 in
<b>Depth</b>	86.36 mm / 3.4 in
<b>Shape</b>	Round
<b>Outer Lens Material</b>	Hardcoated Polycarbonate
<b>Outer Lens Color</b>	Clear
<b>Housing Color</b>	Black
<b>Minimum Operating Temperature</b>	-34 °C
<b>Maximum Operating Temperature</b>	49 °C
<b>Connector or Wiring</b>	Integral Connector in Housing simulating Delphi 12124107
<b>Mating Connector</b>	Delphi 12052848
<b>Product Weight</b>	1.76 lbs / 0.8 kgs



### Product Dimensions

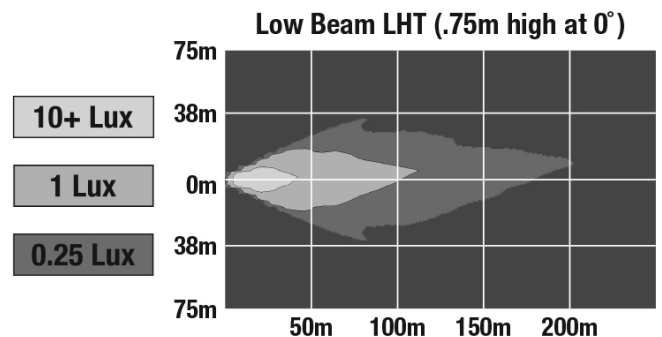
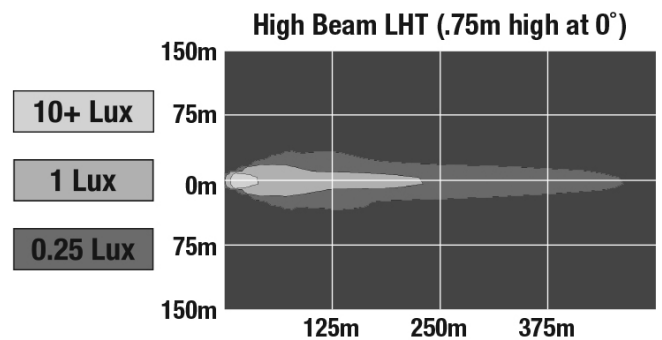


## Electrical Specifications

<b>Input Voltage</b>	12-24V DC
<b>Operating Voltage</b>	10-32V DC
<b>White Wire</b>	High Beam
<b>Yellow Wire</b>	Low Beam
<b>Black Wire</b>	Ground
<b>Red Wire</b>	Front Position
<b>Purple Wire</b>	DRL
<b>Orange / White Wire</b>	Front Turn
<b>Current Draw</b>	2.20A @ 12V DC (Low Beam) 1.10A @ 24V DC (Low Beam) 3.50A @ 12V DC (High Beam) 1.70A @ 24V DC (High Beam) 1.10A @ 12V DC (DRL) 0.70A @ 24V DC (DRL) 0.05A @ 12V DC (Front Position) 0.05A @ 24V DC (Front Position) 1.40A @ 12V DC (Front Turn) 0.70A @ 24V DC (Front Turn)

## Photometric Specifications

<b>Raw Lumen Output</b>	2,925 (High Beam); 2,025 (Low Beam)
<b>Effective Lumen Output</b>	1,000 (High Beam); 630 (Low Beam)
<b>Nominal LED Color Temperature</b>	5000 K
<b>Beam Pattern(s)</b>	Forward Lighting - Daytime Running Light Forward Lighting - High Beam (DOT/ECE) Forward Lighting - Low Beam (ECE Left Hand) Signalization - Front Position Signalization - Turn (Front)



## Additional Specifications

---



<b>IP Rating</b>	IP67
<b>Warranty</b>	Please refer to the Warranty Statement which is available for download on the website
<b>Certification</b>	ECE Reg 6, 7, 87 & 112
<b>Pack Quantity</b>	1