

LED Headlight – Model 8820

0550281



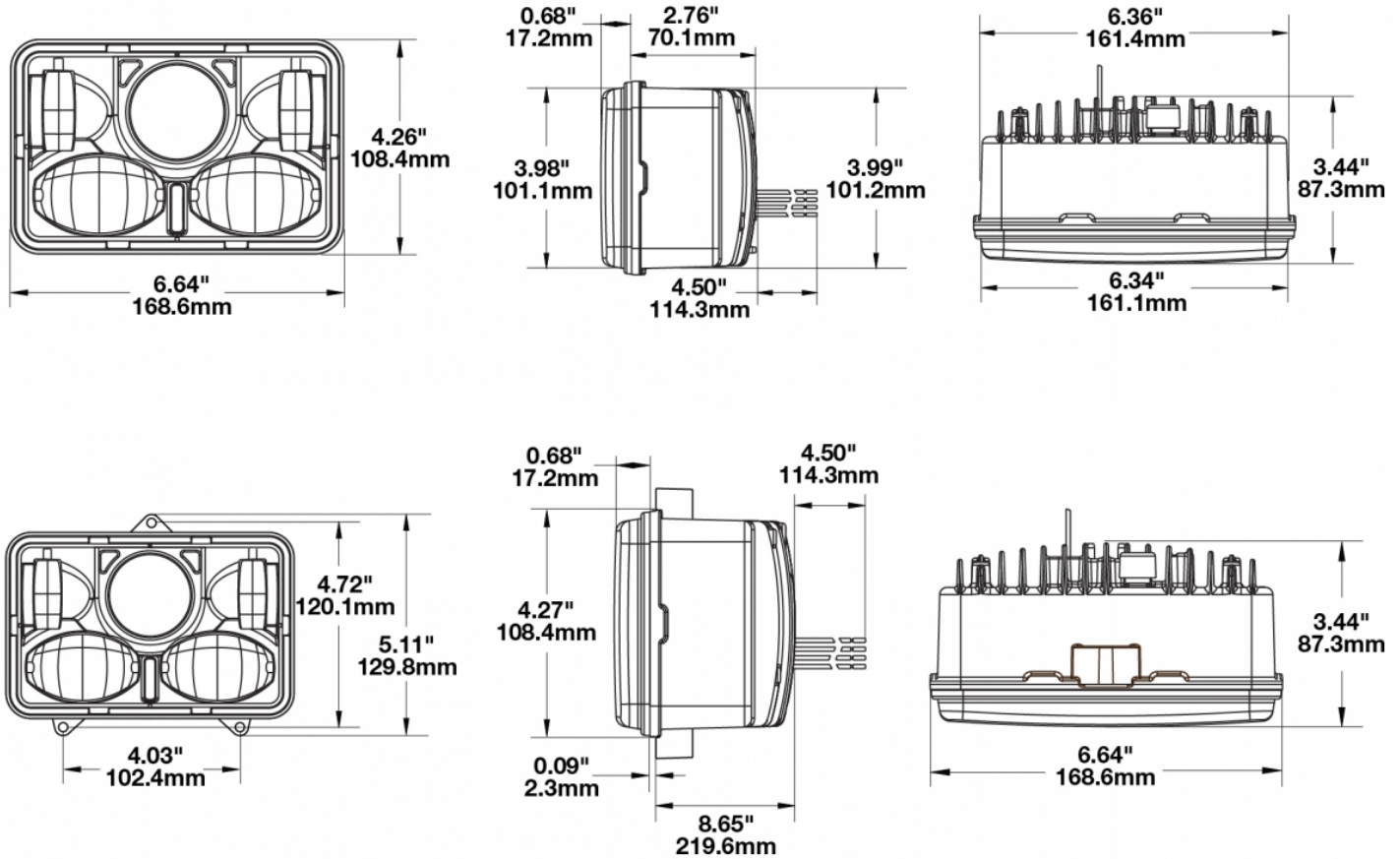
Product Information



Description	Model 8820 - 12/24V LED Headlight Insert - 3 Point Mount
Height	129.79 mm / 5.11 in
Width	168.66 mm / 6.64 in
Depth	87.38 mm / 3.44 in
Shape	Rectangular
Outer Lens Material	Polycarbonate
Outer Lens Color	Clear
Housing Color	Black
Bezel Color	Black
Connector or Wiring	12" Flying Leads
Mating Connector	n/a



Product Dimensions

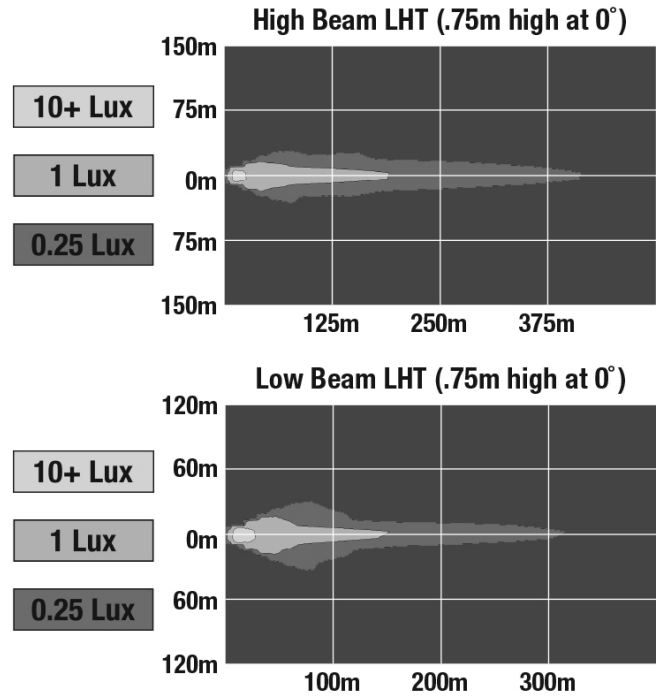


Electrical Specifications

Input Voltage	12-24V DC
Operating Voltage	10-30V DC
Black Wire	Ground
White Wire	High Beam
Yellow Wire	Low Beam
Red Wire	Front Position
Current Draw	1.11A @ 12V DC (Low Beam) 0.96A @ 24V DC (Low Beam) 2.14A @ 12V DC (High Beam) 1.56A @ 24V DC (High Beam) 0.056A @ 12V DC (Front Position) 0.065A @ 24V DC (Front Position)

Photometric Specifications

Raw Lumen Output	2,100 (High Beam); 1,850 (Low Beam)
Effective Lumen Output	755 (High Beam); 645 (Low Beam)
Beam Pattern(s)	Forward Lighting - High Beam (DOT/ECE) Forward Lighting - Low Beam (ECE Left Hand) Signalization - Front Position



Additional Specifications

IP Rating	IP67
Warranty	Please refer to the Warranty Statement which is available for download on the website
Certification	ECE Reg 7 & 112, Military Standard: MIL-PRF-32243
Pack Quantity	1