

# LED Safety Light – Model 527

# 0549271

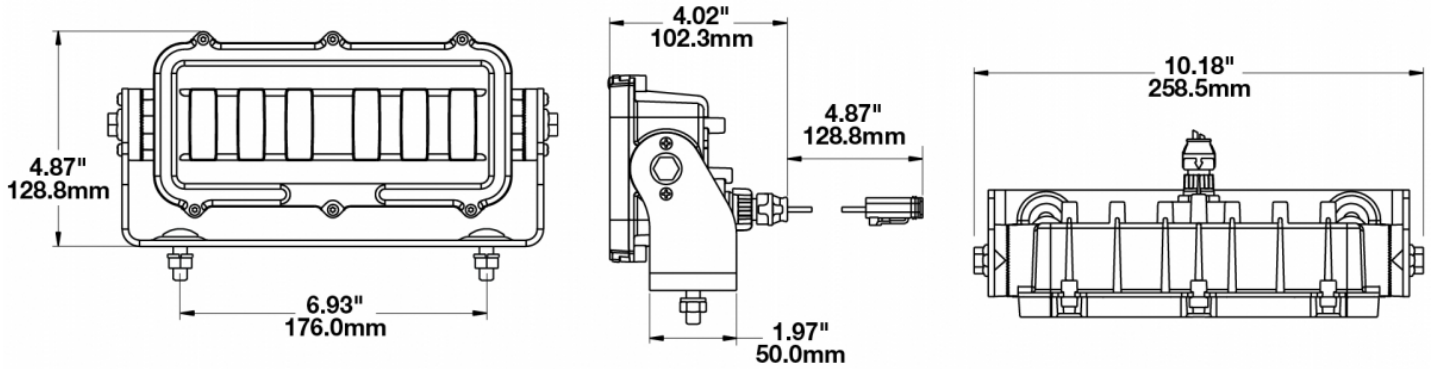
## Product Information



<b>Description</b>	Model 527 - 12/24V LED Safety Light - Red 'Keep Out Zone'
<b>Height</b>	123.70 mm / 4.87 in
<b>Width</b>	258.57 mm / 10.18 in
<b>Depth</b>	102.11 mm / 4.02 in
<b>Outer Lens Material</b>	Glass
<b>Outer Lens Color</b>	Clear
<b>Housing Material</b>	Xenoy
<b>Housing Color</b>	Black
<b>Mounting Hardware Description</b>	(x2) M8-1.25 Mounting Bolt
<b>Mounting Type</b>	Universal Pedestal Mount
<b>Minimum Operating Temperature</b>	-40 °C
<b>Maximum Operating Temperature</b>	65 °C
<b>Connector or Wiring</b>	Integrated 2-Pin Deutsch Weatherproof Socket (DT04-2P)
<b>Mating Connector</b>	Integrated 2-Pin Deutsch Weatherproof Plug (DT06-2S)
<b>Product Weight</b>	2.60 lbs / 1.18 kgs
<b>Shipping Weight</b>	5.70 lbs / 2.59 kgs
<b>Additional Information</b>	The dominant wavelength is about 615nm.



## Product Dimensions



## Electrical Specifications

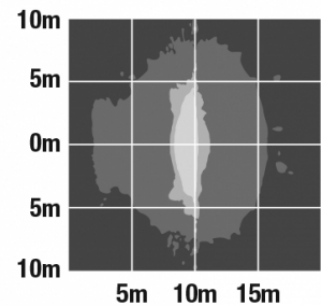
<b>Input Voltage</b>	12-24V DC
<b>Operating Voltage</b>	10-32V DC
<b>Red Wire</b>	Positive
<b>Black Wire</b>	Negative
<b>Current Draw</b>	1.6A @ 12V DC 0.85A @ 24V DC

## Photometric Specifications

<b>Raw Lumen Output</b>	720
<b>Effective Lumen Output</b>	670
<b>Beam Pattern(s)</b>	Forward Lighting - Spot Warning - Keep Out Zone

10+ Lux
1 Lux
0.25 Lux

**"Keep Out" Pattern (6m high at 0°)**



## Additional Specifications

---



<b>IP Rating</b>	IP69K
<b>Warranty</b>	Please refer to the Warranty Statement which is available for download on the website
<b>Pack Quantity</b>	1