

# Grab Handle Installation Instructions

## Parts Included:

- Camco Grab Handle
- (4) #12 Phillips flat head tapping screws

## Material and Tools Required:

- Power drill with 5/32 in (3,96 mm) drill bit and #2 Phillips head bit
- Silicone sealant



## SAFEGUARDS:



1. Read and understand all instructions before use.
2. The Grab Handle should be installed into strong support material and should be tested for strength in order to prevent handle from being pulled from the wall.
3. Never leave the Grab Handle locked in the "in-use" position while traveling.

## Installation:

1. Choose a location for installation where the screws will drive into a strong stud backer.
2. Position the Grab Handle so that the mounting brackets are underneath the ends of the grab handle and lined up with door frame (Shown in Figure 1 and Figure 1A).
3. When the Grab Handle is positioned as desired, mark the screw holes onto the mounting surface. (Figure 2) NOTE: From the top of the lower bracket to the top of the upper bracket, Grab Handle is 24" (60.96 cm); Small Grab Handle is 18" (45.72 cm)
4. Drill 5/32 in (3,96 mm) pilot holes for upper mounting bracket in the locations marked.
5. Add silicone sealant to the pilot holes and install top bracket using #12 screws. Make sure all screws are driving into a stud backer for support. Confirm bottom marks still line up. (Figure 3)
6. Drill 5/32 in (3,96 mm) pilot holes, add silicone sealant to the holes and install bottom bracket using #12 screws. Make sure all screws are driving into a stud backer for support.
7. After installing the Grab Handle as directed, slide the included cap over the mounting hardware to hide and protect it. (Figure 4)
8. Your Grab Handle is now ready to use. To use, lift and pivot the handle until it is perpendicular to the RV. When not in use, lift and pivot the handle until it is flush with the RV.

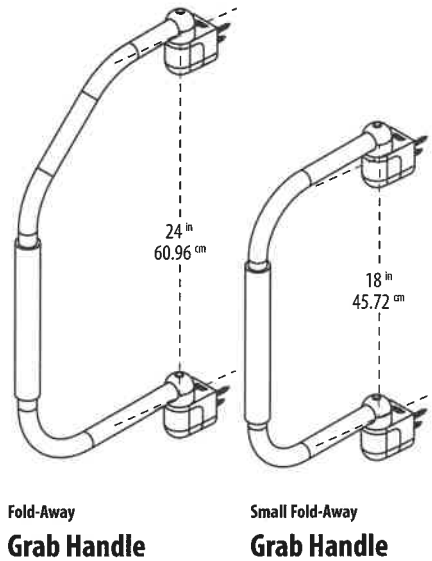
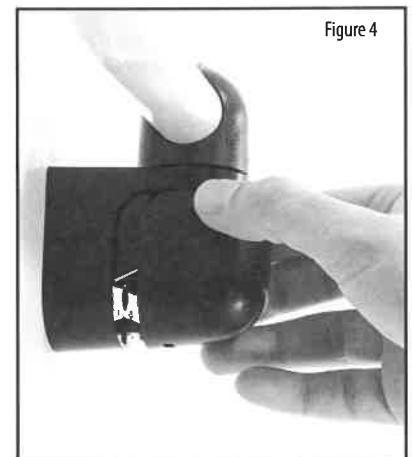
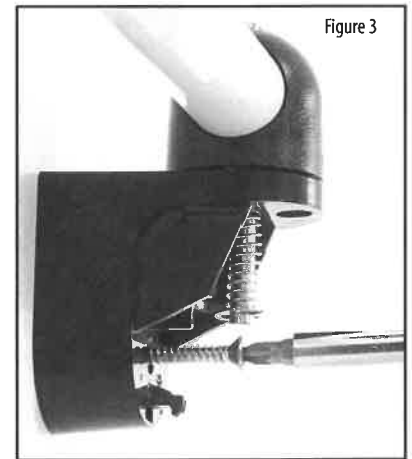
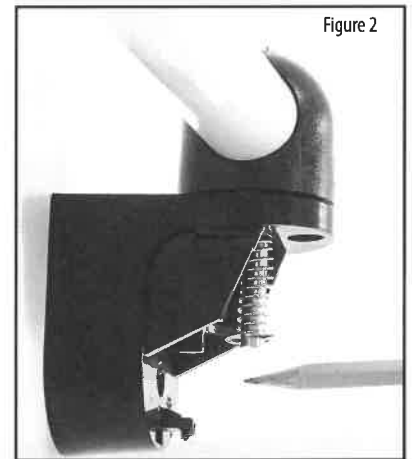
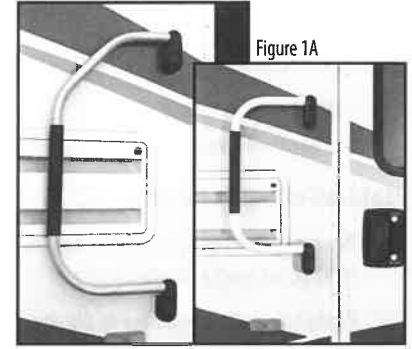


Figure 1



CAMCO MANUFACTURING, INC.  
121 LANDMARK DRIVE / GREENSBORO, NC 27409  
1-800-334-2004 / WWW.CAMCO.NET

**LIMITED WARRANTY:** Camco warrants this product to be free from defects in material and workmanship under normal use and service conditions for 12 months from the date of first purchase. Camco's liability is limited solely to the replacement of any defective product returned to us. To the extent allowable by law, Camco makes no other warranty, either expressed or implied, nor assumes any liability for incidental or consequential damages resulting from the use of this product or for breach of warranty of merchantability or fitness for a particular purpose. Submit warranty claims to Camco Manufacturing, 121 Landmark Drive, Greensboro, NC 27409.