

LED Signal Lights – Model 270

0341361

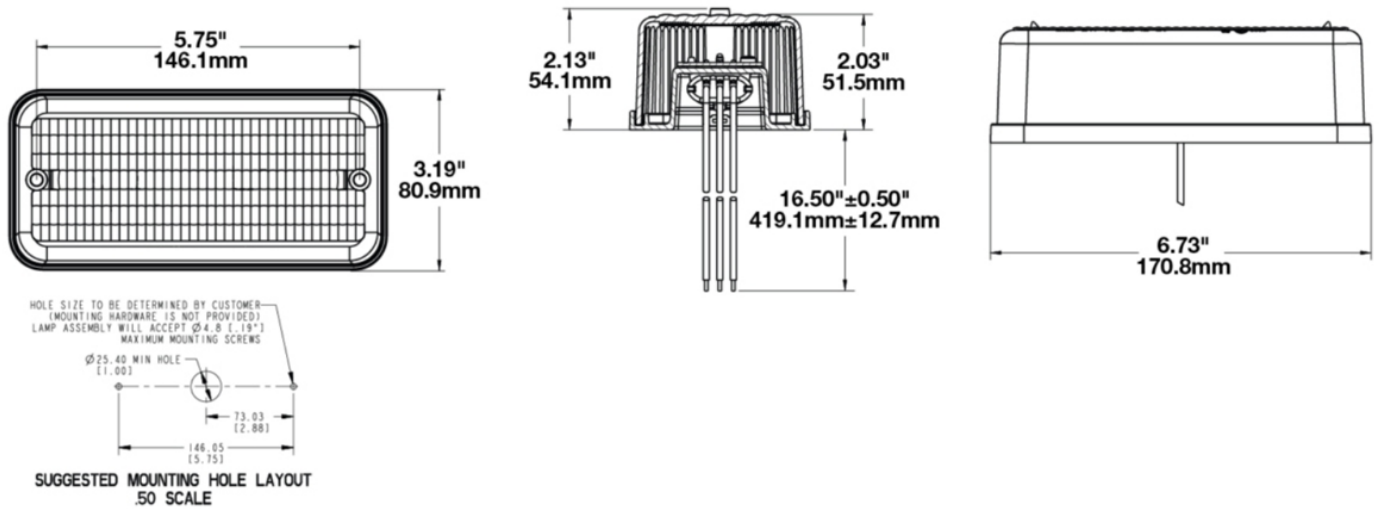


Product Information

Description	Model 270 - 12V LED Signal Lamp - Red (Stop/Tail)
Height	81.03 mm / 3.19 in
Width	170.94 mm / 6.73 in
Depth	51.56 mm / 2.03 in
Shape	Rectangular
Outer Lens Material	Acrylic
Outer Lens Color	Red
Housing Material	ABS
Housing Color	Black
Mounting Type	Low Profile Mount
Minimum Operating Temperature	-40 °C
Maximum Operating Temperature	65 °C
Connector or Wiring	16" Bare Leads
Product Weight	0.48 lbs / 0.22 kgs
Shipping Weight	4.75 lbs / 2.15 kgs



Product Dimensions



Electrical Specifications

Input Voltage	12V DC
White Wire	Tail
Red Wire	Stop
Black Wire	Ground
Current Draw	0.070A @ 12V DC (Stop) 0.007A @ 12V DC (Tail)

Photometric Specifications

Beam Pattern(s)	Signalization - Stop Signalization - Tail
------------------------	--

Additional Specifications



Warranty	Please refer to the Warranty Statement which is available for download on the website
Certification	ECE Reg 7
Pack Quantity	1