

# LED Stop, Tail, Turn & Backup Light – Model 281

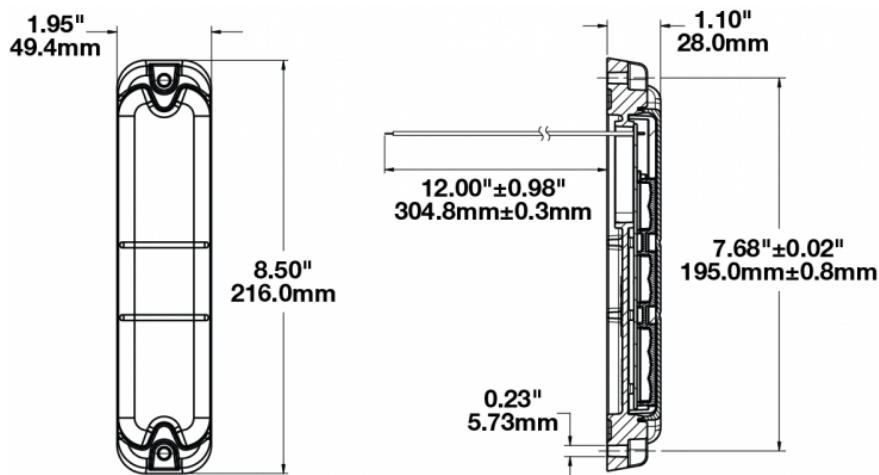
## 0338061

### Product Information

<b>Description</b>	Model 281 - 12V LED Signal Light - Red, Amber & White (Stop, Tail, Turn Signal & Reverse)
<b>Height</b>	215.90 mm / 8.5 in
<b>Width</b>	49.53 mm / 1.95 in
<b>Depth</b>	27.94 mm / 1.1 in
<b>Shape</b>	Rectangular
<b>Outer Lens Material</b>	Polycarbonate
<b>Outer Lens Color</b>	Clear
<b>Housing Material</b>	ABS
<b>Housing Color</b>	Black
<b>Mounting Type</b>	Low Profile Mount
<b>Minimum Operating Temperature</b>	-40 °C
<b>Maximum Operating Temperature</b>	65 °C
<b>Connector or Wiring</b>	12" Bare Leads
<b>Product Weight</b>	0.65 lbs / 0.29 kgs



### Product Dimensions



## Electrical Specifications



<b>Input Voltage</b>	12V DC
<b>White Wire</b>	Backup
<b>Yellow Wire</b>	Turn
<b>Red Wire</b>	Brake
<b>White/Red Wire</b>	Tail
<b>Black Wire</b>	Ground
<b>Current Draw</b>	0.4A @ 12V DC

## Photometric Specifications



<b>Beam Pattern(s)</b>	Signalization - Stop Signalization - Tail Signalization - Turn (Front) Signalization - Turn (Rear)
------------------------	---

## Additional Specifications



<b>IP Rating</b>	IP67
<b>Warranty</b>	Please refer to the Warranty Statement which is available for download on the website
<b>Pack Quantity</b>	1