

# LED Material Handling Safety Light – Model 770 RED

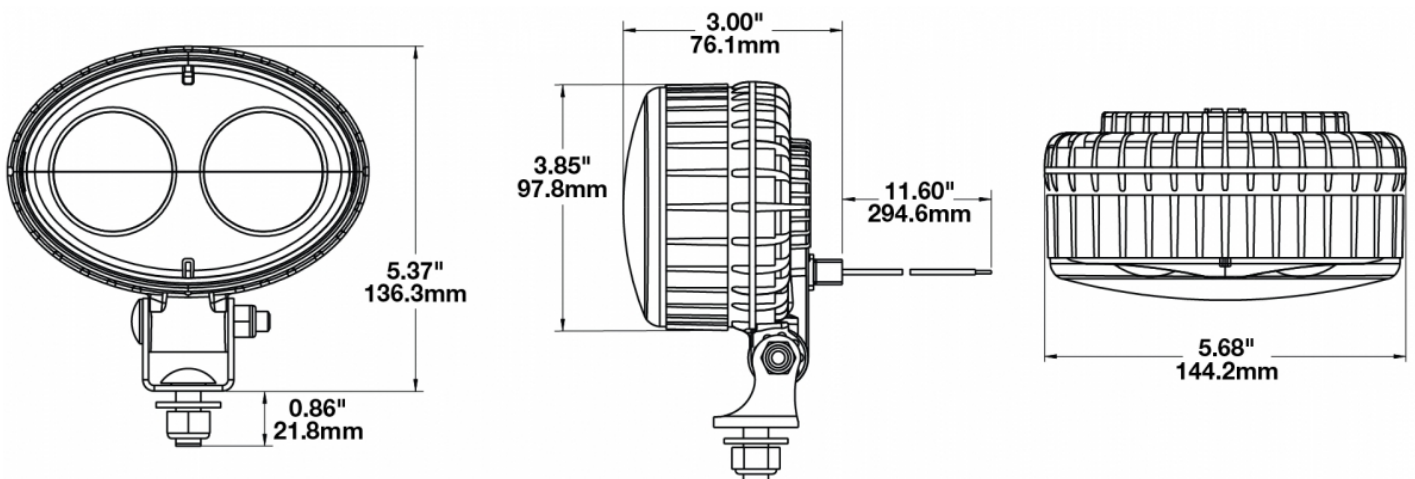
## 1706441

### Product Information

<b>Description</b>	Model 770 - 12/110V LED Safety Light - Red 'Keep Out Zone'
<b>Height</b>	137.16 mm / 5.4 in
<b>Width</b>	144.27 mm / 5.68 in
<b>Depth</b>	87.88 mm / 3.46 in
<b>Shape</b>	Oval
<b>Outer Lens Material</b>	Polycarbonate
<b>Outer Lens Color</b>	Clear
<b>Housing Material</b>	Polycarbonate
<b>Housing Color</b>	Black
<b>Mounting Hardware Description</b>	(x1) M10-1.5 x 25mm
<b>Mounting Type</b>	Universal Pedestal Mount
<b>Minimum Operating Temperature</b>	-40 °C
<b>Maximum Operating Temperature</b>	65 °C
<b>Connector or Wiring</b>	Integrated
<b>Mating Connector</b>	AMP (#180923)
<b>Product Weight</b>	1.31 lbs / 0.59 kgs
<b>Shipping Weight</b>	1.31 lbs / 0.59 kgs



### Product Dimensions



## Electrical Specifications



<b>Input Voltage</b>	12-110V DC
<b>Operating Voltage</b>	9-120V DC
<b>Red Wire</b>	Positive
<b>Black Wire</b>	Negative
<b>Current Draw</b>	0.19A @ 12V DC 0.05A @ 60V DC 0.04A @ 110V DC 0.14A @ 48V DC

## Photometric Specifications



<b>Nominal LED Color Temperature</b>	5000 K
<b>Beam Pattern(s)</b>	Forward Lighting - Spot

## Additional Specifications



<b>IP Rating</b>	IP69K
<b>Warranty</b>	Please refer to the Warranty Statement which is available for download on the website
<b>Certification</b>	SAEJ1455, Tested to ECE Reg 10 (Radiated Emissions Only)
<b>Pack Quantity</b>	1