

# LED Forklift Warning Light and ARC Safety Light - Model 777 GEN2

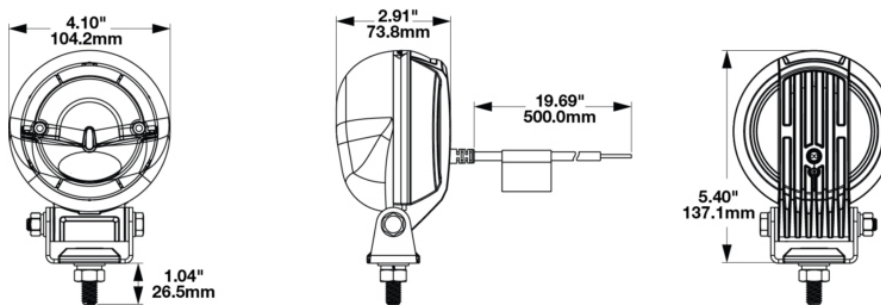
# 1403601

## Product Information

|                                      |  |
|--------------------------------------|--|
| <b>Description</b>                   | Model 777 GEN2 - 12/72V ARC Warning Lamp - RED |
| <b>Height</b>                        | 137.10 mm / 5.4 in                             |
| <b>Width</b>                         | 104.30 mm / 4.11 in                            |
| <b>Depth</b>                         | 73.90 mm / 2.91 in                             |
| <b>Shape</b>                         | Round  |
| <b>Outer Lens Material</b>           | Polycarbonate                                  |
| <b>Outer Lens Color</b>              | Clear  |
| <b>Housing Material</b>              | Die-Cast Aluminum                              |
| <b>Housing Color</b>                 | Black  |
| <b>Bezel Color</b>                   | Black  |
| <b>Mounting Hardware Description</b> | M10-30mm M10 Stainless Steel                   |
| <b>Minimum Operating Temperature</b> | -40 °C   |
| <b>Maximum Operating Temperature</b> | 65 °C  |
| <b>Connector or Wiring</b>           | 19.5" Bare Leads (tinned)                      |
| <b>Product Weight</b>                | 1.50 lbs / 0.68 kgs                            |
| <b>Shipping Weight</b>               | 1.50 lbs / 0.68 kgs                            |



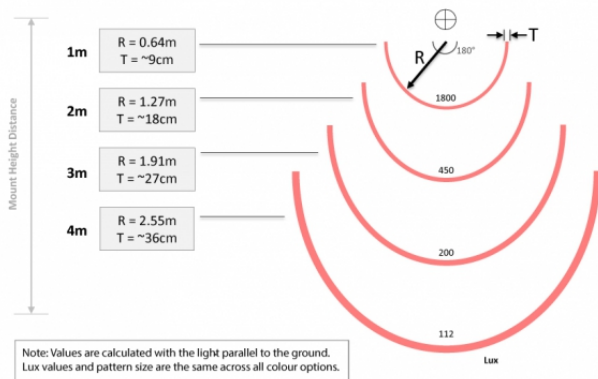
## Product Dimensions



## Electrical Specifications

|                          |  |
|--------------------------|--|
| <b>Input Voltage</b>     | 12-72V DC  |
| <b>Operating Voltage</b> | 10-80V DC  |
| <b>Black Wire</b>        | Ground   |
| <b>Red Wire</b>          | Power  |
| <b>Current Draw</b>      | 1.20A @ 12V DC<br>0.60A @ 24V DC<br>0.40A @ 36V DC<br>0.30A @ 48V DC<br>0.24A @ 60V DC<br>0.20A @ 72V DC |

## Photometric Specifications



## Additional Specifications

|                      |   |
|----------------------|---|
| <b>IP Rating</b>     | IP69K   |
| <b>Warranty</b>      | Please refer to the Warranty Statement which is available for download on the website |
| <b>Pack Quantity</b> | 1   |